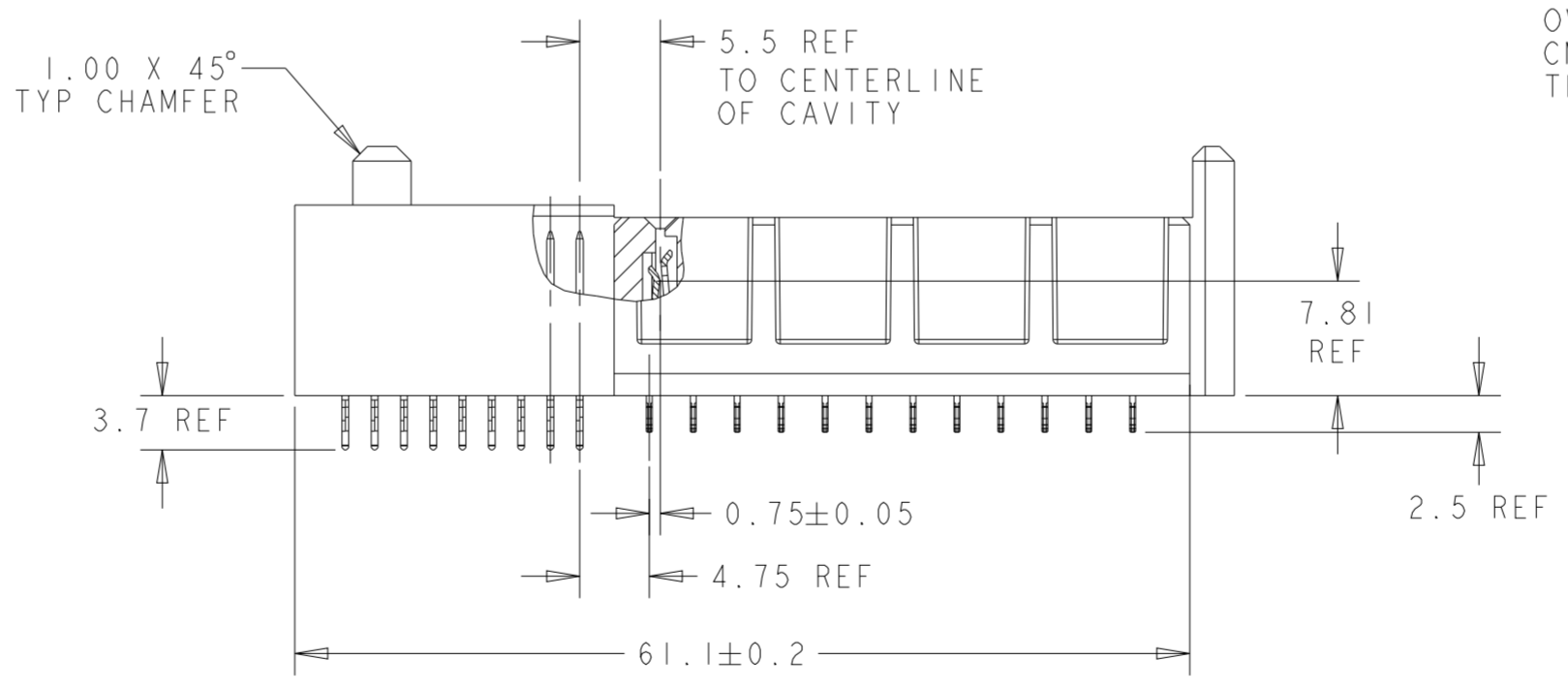
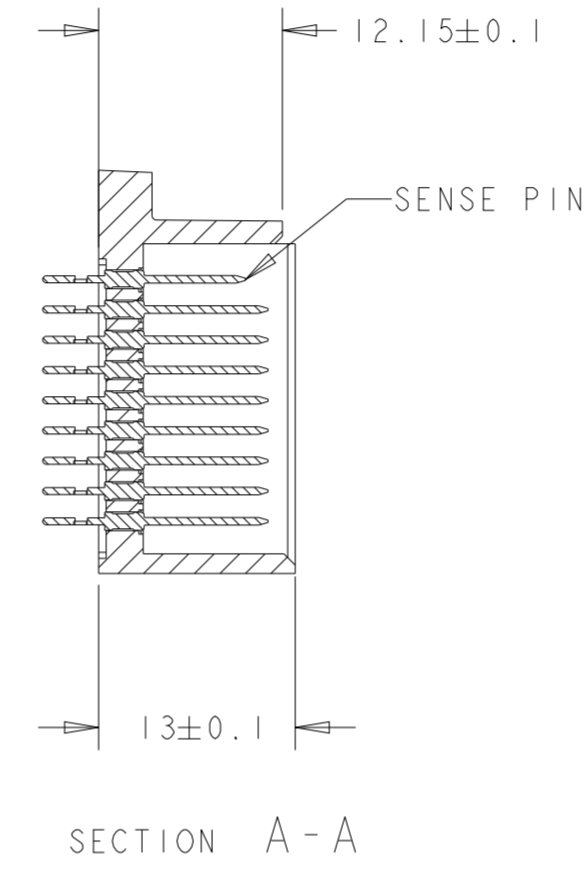
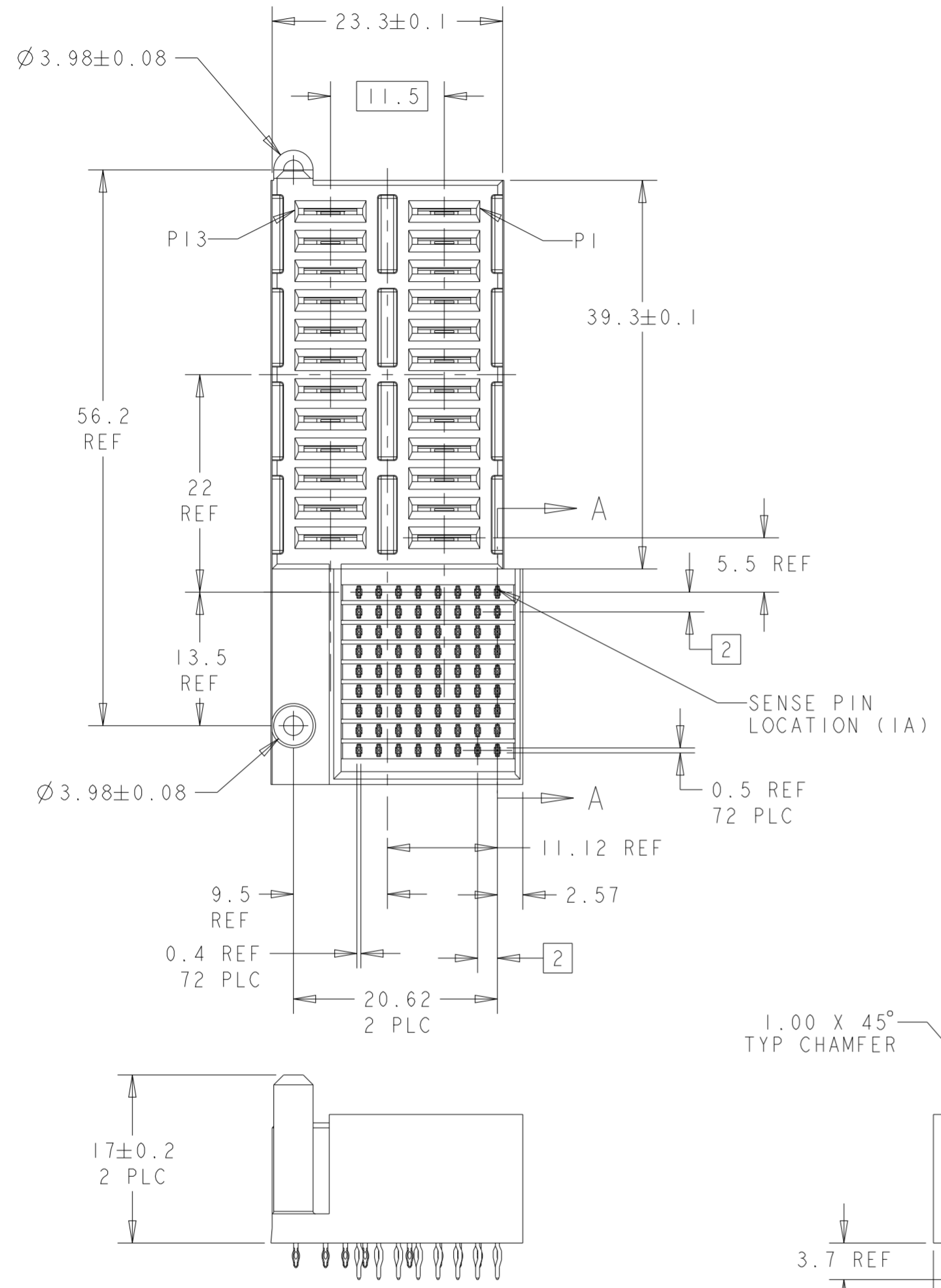


THIS DRAWING IS UNPUBLISHED. RELEASED FOR PUBLICATION 20  
 © COPYRIGHT 20 BY TYCO ELECTRONICS CORPORATION. ALL RIGHTS RESERVED.

LOC	DIST	REVISIONS			
P	LTR	DESCRIPTION	DATE	DWN	APVD
CG	00				
	10	OBSOLETE PART - 1	11MAY2021	CZ	SH



- 1 PCB HOLE DIM:  
 DRILLED HOLE = 0.700 ±0.02 mm  
 FINISHED HOLE = 0.600 mm REF  
 Cu THICKNESS = 0.025-.050 mm WITH EITHER  
 HASL Sn Pb = 0.004-0.015 mm OR  
 IMMERSION Sn = 0.0005 mm MIN OR  
 OSP = 0.0002-0.0005 mm OR  
 IMMERSION Ag = 0.0001 mm  
 OR  
 DRILLED HOLE = 0.73 ±0.02 mm  
 FINISHED HOLE = 0.65 mm REF  
 Cu THICKNESS = 0.025-.050 mm WITH  
 IMMERSION Au/Ni = 0.0001-0.0005 Au OVER 0.004-0.005 Ni
- 2 MATERIAL ;  
 HOUSING - GLASS FILLED POLYESTER  
 CONTACTS - COPPER ALLOY
- 3 FINISH: MATING AREA - MEETS PERFORMANCE REQUIREMENTS OF PICMG MICTO TCA.0 DRAFT SPECIFICATION. COMPLIANT PIN AREA - 0.5 um TIN-LEAD OVER 1.27 um MIN NICKEL.
4. CONNECTOR MARKED WITH PART NUMBER AND DATE CODE.
- 5 DATUMS AND BASIC DIMENSIONS ESTABLISHED BY CUSTOMER.
6. CONTACT AREA LUBRICATED WITH BELLCORE APPROVED LUBRICANT. TECHNICAL REFERENCE GR-1217-CORE, ISSUE 1, NOVEMBER 1995.
- 7 GROUND CONTACT POSITIONS P4 THRU P11 MATE FIRST.
- 8 FINISH: MATING AREA - MEETS PERFORMANCE REQUIREMENTS OF PICMG MICTO TCA.0 DRAFT SPECIFICATION. COMPLIANT PIN AREA - 0.5 um TIN OVER 1.27 um MIN NICKEL.
- 9 FINISH: MATING AREA: GOLD PLATE, 1.27UM MIN THK, OVER NICKEL 1.27 um MIN THK  
 COMPLIANT PIN AREA - 0.5 um TIN-LEAD OVER 1.27 um MIN THK NICKEL.

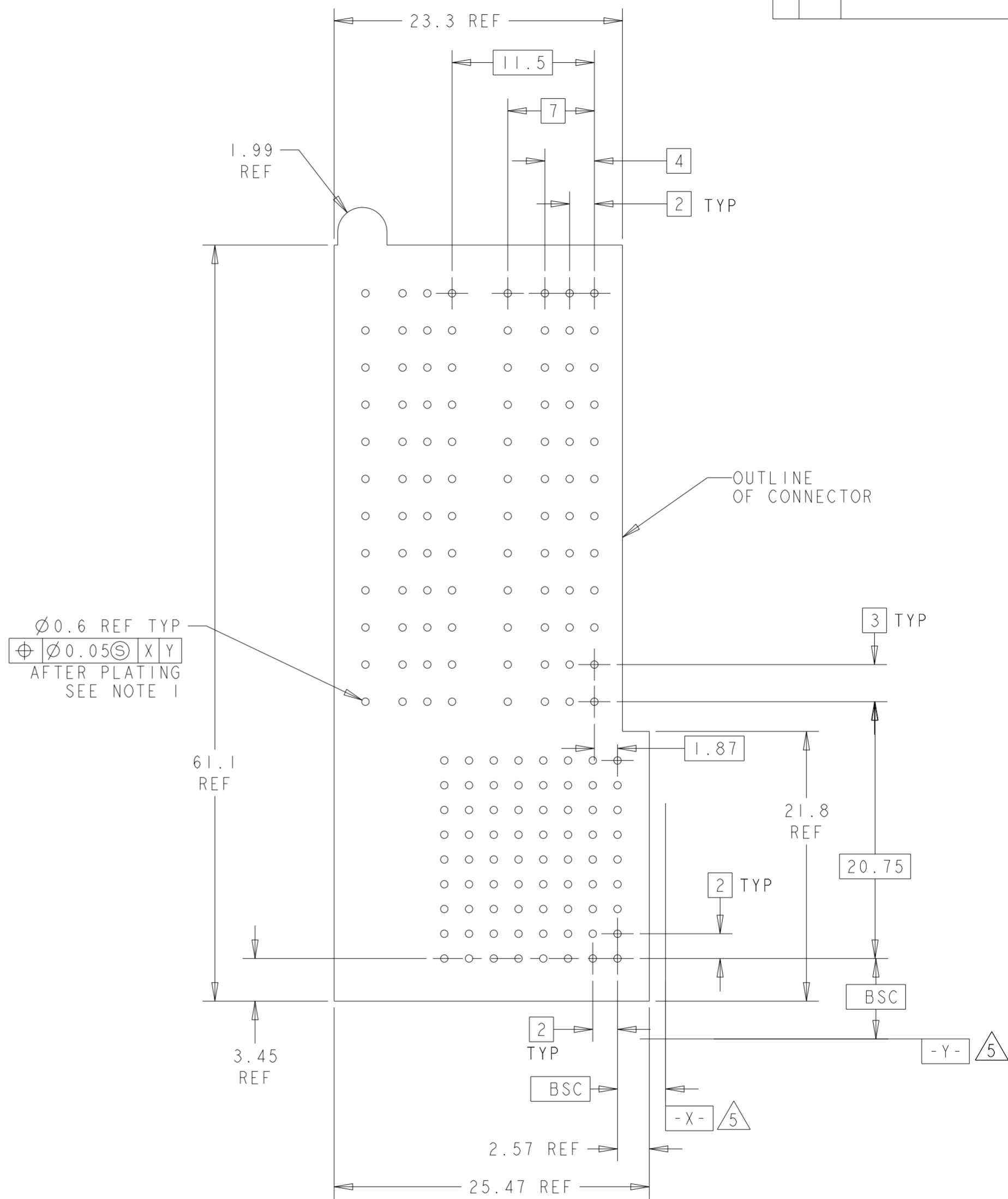
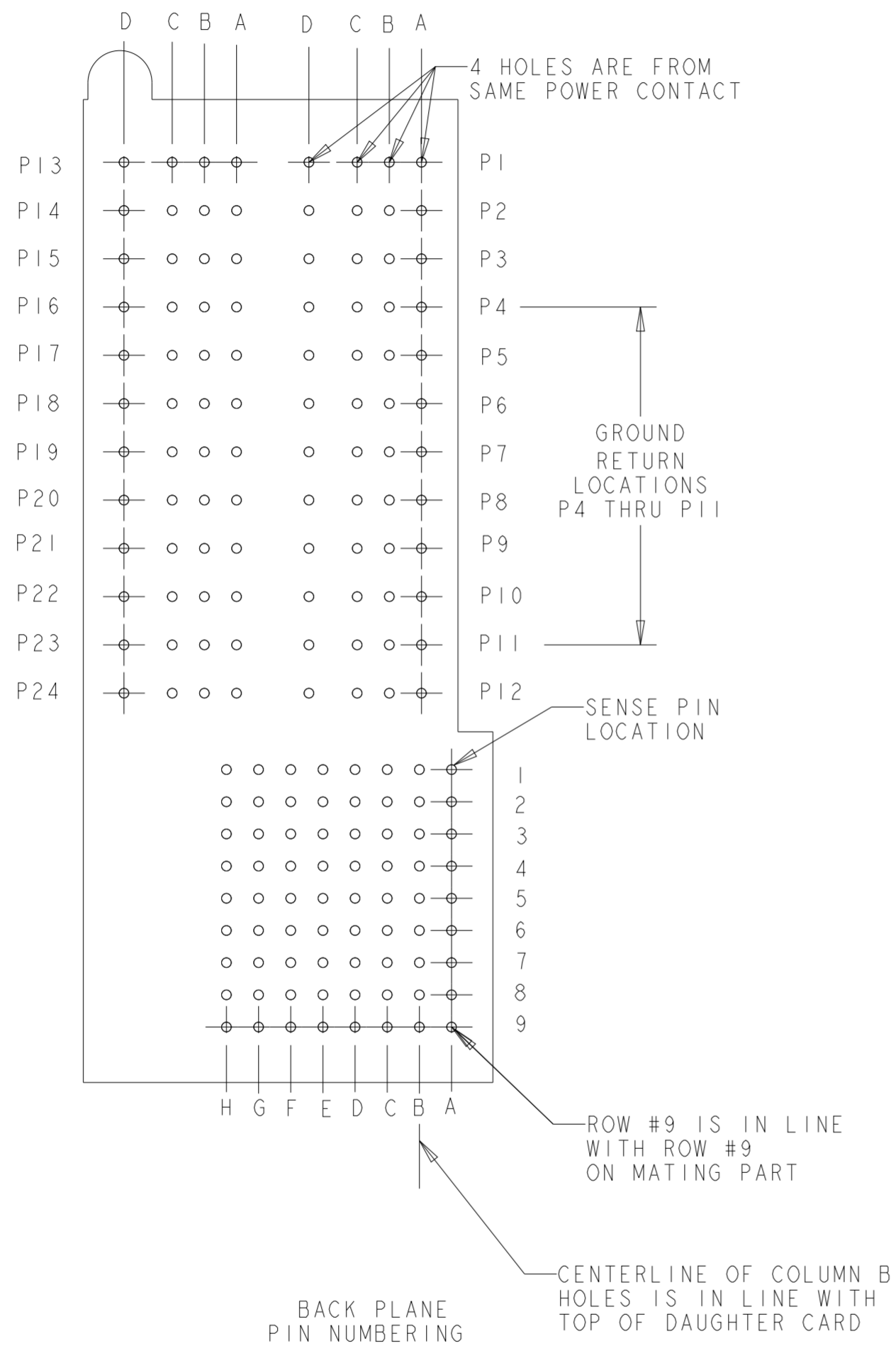
TIN-LEAD 9	1469920-3
TIN 8	1469920-2
TIN 8	1469920-1
COMPLIANT TAIL PLATING	PART NUMBER

THIS DRAWING IS A CONTROLLED DOCUMENT FOR TYCO ELECTRONICS CORPORATION. IT IS SUBJECT TO CHANGE AND THE CONTROLLING ENGINEERING ORGANIZATION SHOULD BE CONTACTED FOR THE LATEST REVISION.

DIMENSIONS:	TOLERANCES UNLESS OTHERWISE SPECIFIED:	DWN	25 JAN 06	Tyco Electronics Harrisburg, PA 17105-3608
mm	0 PLC ±0.1 1 PLC ±0.1 2 PLC ±0.13 3 PLC ±0.013 4 PLC ±0.0001	CHK	-	
	ANGLES ±1	APVD	-	
MATERIAL	FINISH	PRODUCT SPEC	-	
- 1	-	APPLICATION SPEC	-	NAME
		WEIGHT	-	MINIPAK HD POWER/SIGNAL CONNECTOR PRESS FIT TAIL VERSION
		CUSTOMER DRAWING	-	SIZE CAGE CODE DRAWING NO RESTRICTED TO
				A200779 C-1469920
				SCALE 2:1 SHEET 1 OF 2 REV 10

THIS DRAWING IS UNPUBLISHED. RELEASED FOR PUBLICATION 20  
 © COPYRIGHT 20 BY TYCO ELECTRONICS CORPORATION. ALL RIGHTS RESERVED.

LOC	DIST	REVISIONS					
CG	00	P	LTR	DESCRIPTION	DATE	DWN	APVD
		-		SEE SHEET 1	-	-	-



THIS DRAWING IS A CONTROLLED DOCUMENT FOR TYCO ELECTRONICS CORPORATION. IT IS SUBJECT TO CHANGE AND THE CONTROLLING ENGINEERING ORGANIZATION SHOULD BE CONTACTED FOR THE LATEST REVISION.		DWN	25 JAN 06		 Tyco Electronics Harrisburg, PA 17105-3608
		CHK	D. SZCZESNY		
DIMENSIONS:		APVD			PRODUCT SPEC
mm		APPLICATION SPEC			SIZE
		WEIGHT	A200779		CAGE CODE
TOLERANCES UNLESS OTHERWISE SPECIFIED:		CUSTOMER DRAWING	C-1469920		DRAWING NO
0 PLC	±0.1	SCALE	2:1		SHEET
1 PLC	±0.1		2		OF
2 PLC	±0.13		2		REV
3 PLC	±0.013		10		
4 PLC	±0.0001				
ANGLES	±1				
MATERIAL	FINISH				
- 1					

## X-ON Electronics

Largest Supplier of Electrical and Electronic Components

*Click to view similar products for [Power to the Board](#) category:*

*Click to view products by [TE Connectivity](#) manufacturer:*

Other Similar products are found below :

[6450171-4](#) [6450552-7](#) [6600323-8](#) [6643429-1](#) [6646040-2](#) [6651939-1](#) [6766604-1](#) [120959-1](#) [1393557-2](#) [1393532-2](#) [1393532-3](#) [1393532-4](#)  
[1393557-1](#) [1600812-5](#) [1-6450861-2](#) [1744132-7](#) [1761122-1](#) [1766250-1](#) [1892109-1](#) [2-6450860-5](#) [2-6450870-0](#) [1-6450161-4](#) [1-6450850-6](#) [1-](#)  
[6450869-6](#) [1645526-2](#) [1-6600130-0](#) [2005243-2](#) [377-0020-11130](#) [TE34-12-16P-F0](#) [51700-10201602AALF](#) [5-6450830-6](#) [5646956-4](#) [377-](#)  
[0080-11131A](#) [4-6450830-9](#) [4-6600333-3](#) [10125416-4050LF](#) [10130248-005LF](#) [6600320-3](#) [3-6450860-5](#) [1888123-2](#) [6450166-1](#) [6643978-1](#)  
[6766605-1](#) [701-15-02109](#) [N11444](#) [6651938-1](#) [6450810-7](#) [46437-1112](#) [1-1589677-8](#) [5646956-5](#)