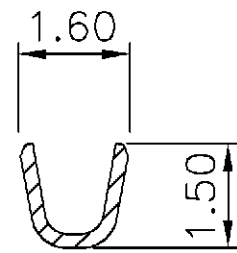
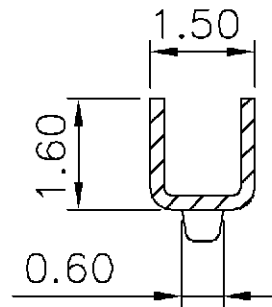


SEC: A-A



SEC: B-B



SEC: C-C

NOTE:

- MATERIAL :
TERMINAL : PHOSPHOR BRONZE, T=0.20mm.
- FINISH:
TERMINAL : 60u" MIN TIN PLATED ON CONTACT AREA.
20u" MIN. NICKEL UNDERPLATED OVER ALL.
- QUALIFICATION TEST REPORT: 501-57218.

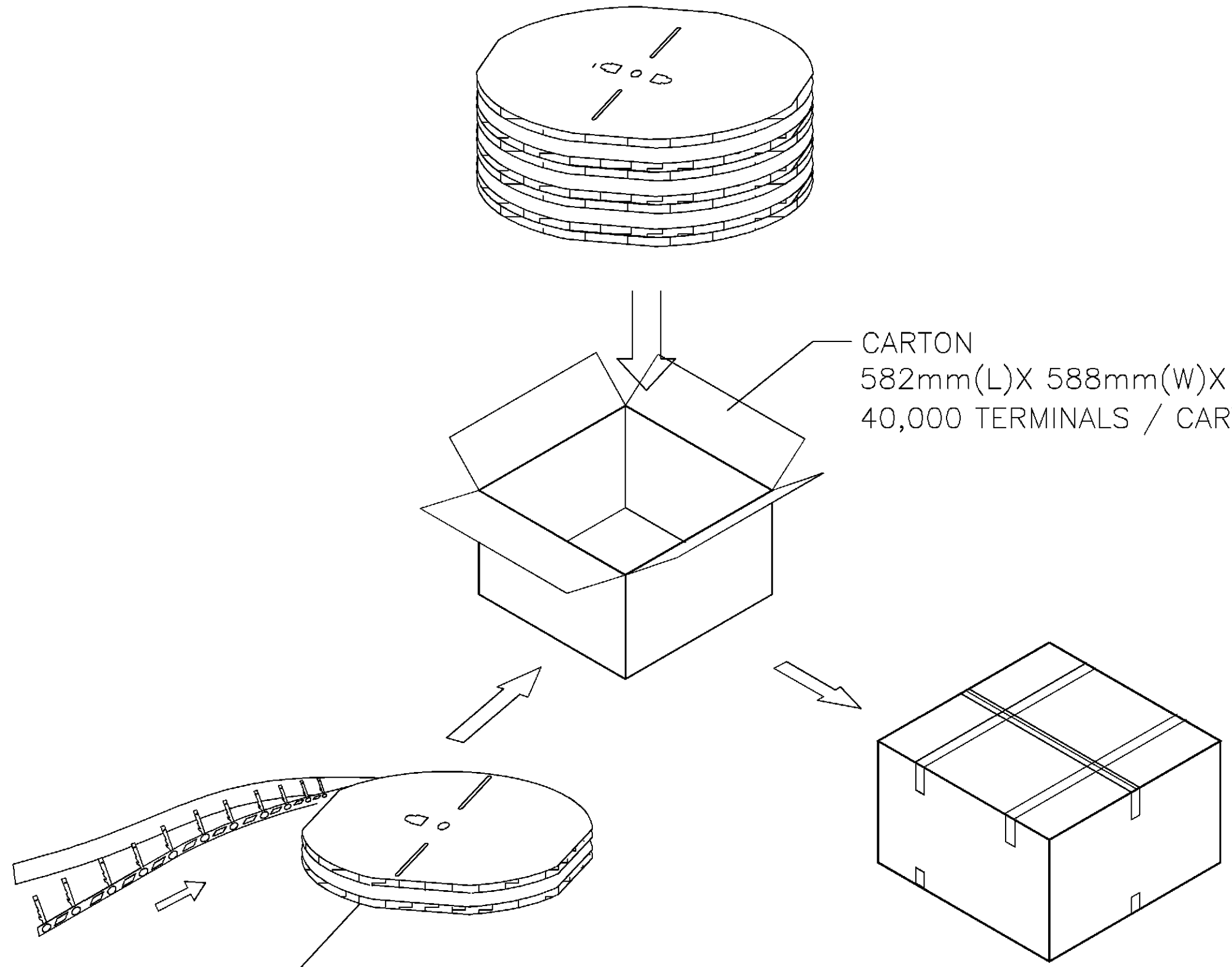
1470106-1
PART NUMBER

PRINT DIST	REV	DESCRIPTION	DATE	BY	CHK
DW	A	REVISED	18AUG 2003	OH	AW
	O	FIRST RELEASED	06MAR 2002	OH	JC
	LTR	REVISION RECORD		DWN	CHK

DIMENSION : 0 PLC ± 1 PLC ±0.30 2 PLC ±0.20 3 PLC ±0.10 ANGLES ±	DWN O. HU 12-AUG-2003		TYCO HOLDINGS (BERMUDA) VII LTD. TAIWAN BRANCH	
MATERIAL SEE NOTE	CHK A. WU 12-AUG-2003		NAME	
FINISH SEE NOTE	APVD J. CHENG 12-AUG-2003	2.0 MM PITCH CRIMP CONTACT		
	PRODUCT SPEC 108-57217	LOC DW	SIZE A ₃	DRAWING NO C-1470106
	APPLICATION SPEC 114-57D13	SCALE	SHEET 1 OF 2	
	WEIGHT			

THIS INFORMATION IS CONFIDENTIAL AND IS DISCLOSED TO YOU ON CONDITION THAT NO FURTHER DISCLOSURE IS MADE BY YOU TO OTHER THAN AMP PERSONNEL WITHOUT WRITTEN AUTHORIZATION FROM AMP (TAIWAN) LTD. DIMENSIONS IN MILLIMETERS. DO NOT SCALE PRINT.

PRINT DIST
 DW



CARTON
 582mm(L)X 588mm(W)X 112mm(H)
 40,000 TERMINALS / CARTON

REEL
 DIAMETER: $\phi 580$ mm.
 10,000 TERMINALS / REEL

	SEE SHEET 1.			
LTR	REVISION RECORD	ECN	DWN	CHK
				DATE

DIMENSION : 0 PLC \pm 1 PLC \pm 2 PLC \pm 3 PLC \pm ANGLES \pm	DWN	O. HU	TYCO HOLDINGS (BERMUDA) VII LTD. TAIWAN BRANCH			
	CHK	A. WU				
MATERIAL SEE NOTE	APVD	J. CHENG	NAME 2.0 MM PITCH CRIMP CONTACT			
	PRODUCT SPEC	12-AUG-2003				
FINISH SEE NOTE	APPLICATION SPEC		LOC	SIZE	DRAWING NO	REV
	WEIGHT		DW	A ₃	C-1470106	A
			SCALE	SHEET		
			---		2 OF 2	

X-ON Electronics

Largest Supplier of Electrical and Electronic Components

Click to view similar products for [Headers & Wire Housings](#) category:

Click to view products by [TE Connectivity](#) manufacturer:

Other Similar products are found below :

[892-18-020-10-001101](#) [58102-G61-06LF](#) [582553-1](#) [0009485154](#) [009176003701906](#) [0050291907](#) [LY20-4P-DT1-P1E-BR](#) [02.125.8002.8](#)
[609-3404](#) [61062-3](#) [61082-181009](#) [622-3653LF](#) [63453-116](#) [636-1030](#) [636-1427](#) [636-3427](#) [636-4007](#) [641938-9](#) [641991-4](#) [644827-2](#) [65817-010LF](#) [65817-015LF](#) [65863-015LF](#) [66207-023LF](#) [67095-007LF](#) [67601157](#) [68645-018](#) [68648-049](#) [70.362.1628.0](#) [70-4210](#) [70-4226B](#) [70-4853B](#) [707-5020](#) [707-5028](#) [71.350.2428.0](#) [71918-208LF](#) [71961-016LF](#) [733-134](#) [733-162](#) [754199-000](#) [760-3052](#) [787-8014-00](#) [79531-3000](#)
[FCN-360C032-B](#) [FCN-367T-T012/H](#) [FCN-723D010/2](#) [80.063.4001.1](#) [800-90-001-10-001000](#) [800-90-010-10-002000](#) [801-43-002-10-013000](#)