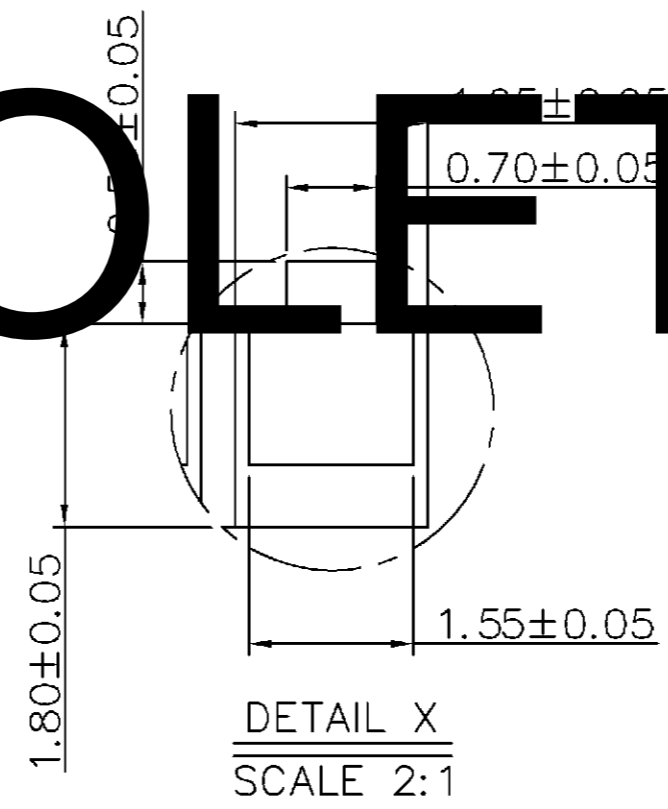
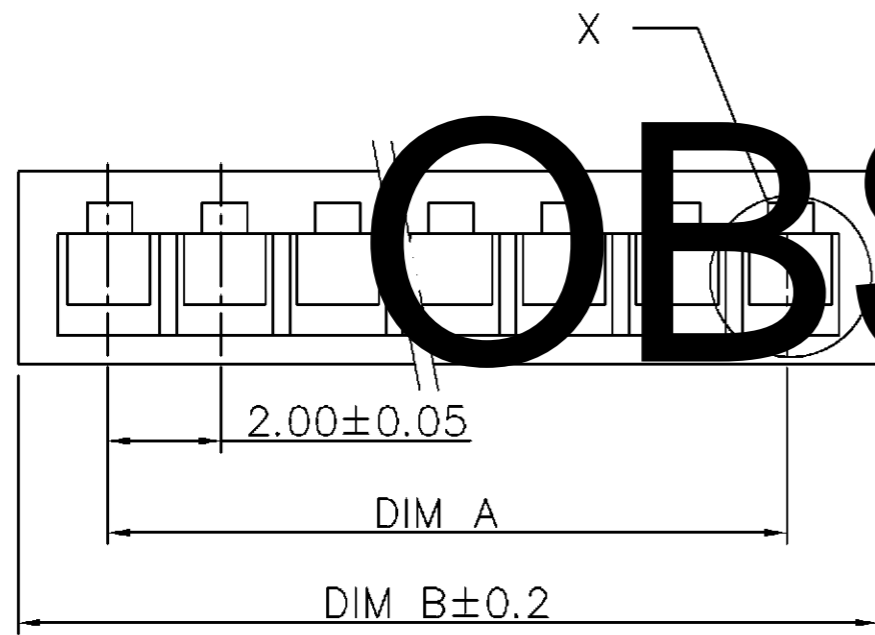


NOTE:
 1. MATERIAL :
 HOUSING : THERMOPLASTIC UL94V-0,
 WHITE COLOR.



DIM B	DIM A	POS.	PART NUMBER
33.2	30.00±0.15	16	1-1470199-6
31.2	28.00±0.15	15	1-1470199-5
29.2	26.00±0.15	14	1-1470199-4
27.2	24.00±0.15	13	1-1470199-3
25.2	22.00±0.15	12	1-1470199-2
23.2	20.00±0.15	11	1-1470199-1
21.2	18.00±0.10	10	1-1470199-0
19.2	16.00±0.10	9	1470199-9
17.2	14.00±0.10	8	1470199-8
15.2	12.00±0.10	7	1470199-7
13.2	10.00±0.08	6	1470199-6
11.2	8.00±0.08	5	1470199-5
9.2	6.00±0.08	4	1470199-4
7.2	4.00±0.05	3	1470199-3
5.2	2.00±0.05	2	1470199-2

OBSOLETE

ECO-16-002887

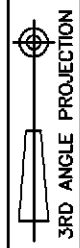
DIMENSION : 0 PLC ± 1 PLC ±0.20 2 PLC ±0.10 3 PLC ±0.05 ANGLES ±	DWN	O. HU		
		16-JULY-2002		
MATERIAL SEE NOTE	CHK	J. CHENG	NAME 2.0 MM PITCH, CRIMP, RIGHT ANGLE, HOUSING	
		16-JULY-2002		
FINISH SEE NOTE	APVD	J. WU	LOC	SIZE
		16-JULY-2002	DW	A ₃
	PRODUCT SPEC		DRAWING NO	REV
	108-57158		C-1470199	P
	QUALIFICATION TEST REPORT		SCALE	SHEET
	501-57248		--	1 OF 2
	WEIGHT			

P		REVISED PER	RK	5APR11
LTR	REVISION RECORD	ECO-11-005301	HMR	DATE
		ECO	DWN	CHK

DIMENSIONS IN MILLIMETERS. DO NOT SCALE PRINT.

PRINT
 DW

NUMBER C-1470199



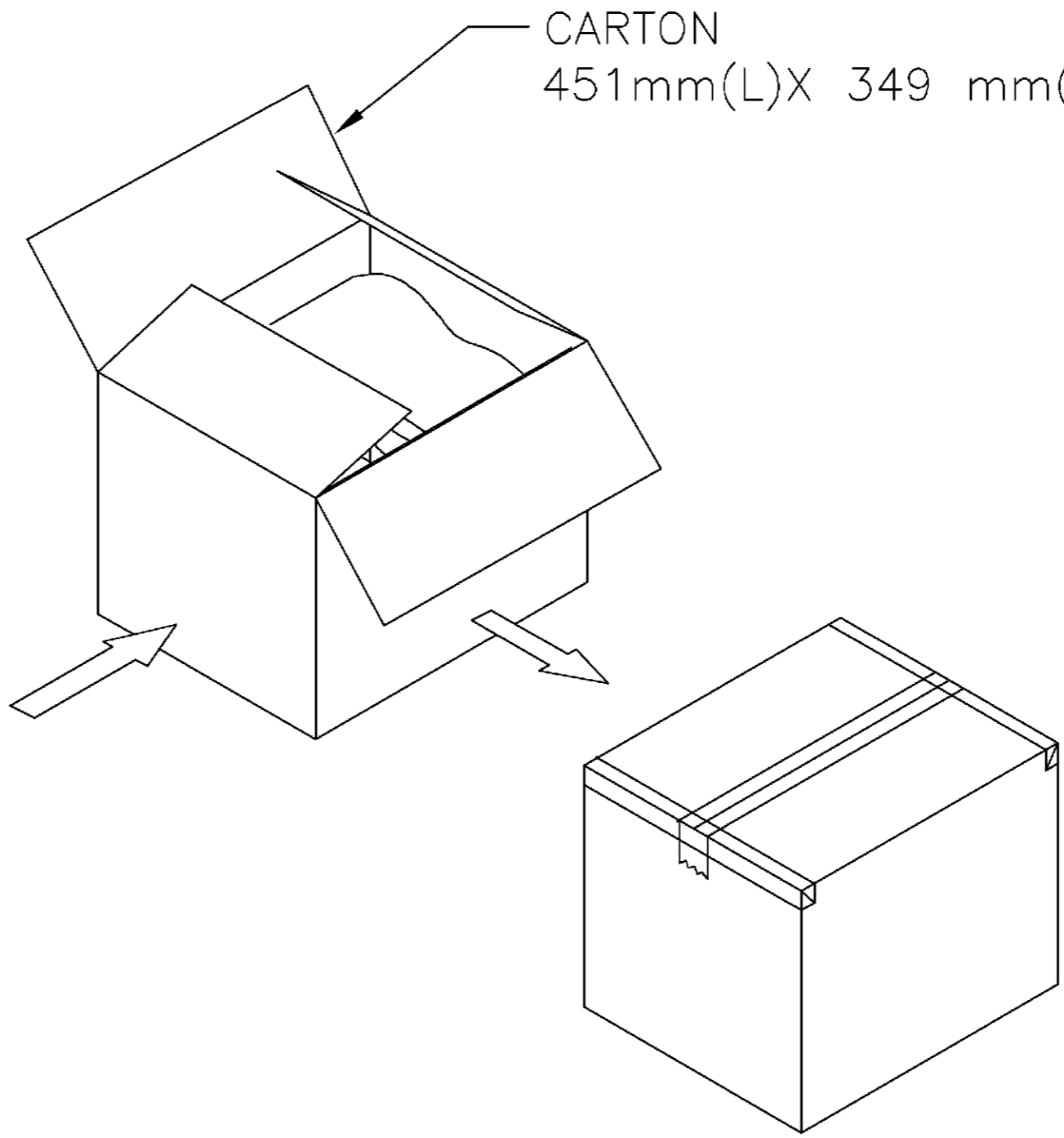
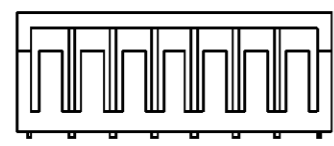
METRIC

DIMENSIONS IN MILLIMETERS. DO NOT SCALE PRINT.

PRINT DIST
DW

CARTON
451mm(L)X 349 mm(W)X 302mm(H)

POLY BAG



35,000	1000	1-1470199-6
35,000	1000	1-1470199-5
40,000	1000	1-1470199-4
40,000	1000	1-1470199-3
45,000	1000	1-1470199-2
45,000	1000	1-1470199-1
60,000	1000	1-1470199-0
65,000	1000	1470199-9
80,000	1000	1470199-8
80,000	1000	1470199-7
100,000	1000	1470199-6
120,000	1000	1470199-5
140,000	1000	1470199-4
170,000	1000	1470199-3
260,000	1000	1470199-2
APQ (PCS/CARTON)	PPQ (PCS/BAG)	PART NUMBER

DIMENSION : 0 PLC ± 1 PLC ± 2 PLC ± 3 PLC ± ANGLES ±	DWN	O. HU	TE Connectivity			
		16-JULY-2002				
MATERIAL	CHK	J. CHENG	NAME 2.0 MM PITCH, CRIMP, RIGHT ANGLE, HOUSING			
		16-JULY-2002				
FINISH	APVD	J. WU	LOC	SIZE	DRAWING NO	REV
		16-JULY-2002	DW	A ₃	C-1470199	P
SEE NOTE	PRODUCT SPEC		SCALE	SHEET		
	APPLICATION SPEC		--	2 OF 2		
SEE NOTE	WEIGHT					

		SEE SHEET 1.		
LTR	REVISION RECORD	ECO	DWN/CHK	DATE

X-ON Electronics

Largest Supplier of Electrical and Electronic Components

Click to view similar products for [Headers & Wire Housings](#) category:

Click to view products by [TE Connectivity](#) manufacturer:

Other Similar products are found below :

[95000-104TRLF](#) [10135584-644402LF](#) [DF62W-EP2022PCA](#) [95000-106TRLF](#) [DF62W-2022SCA](#) [DF62W-EP2022PC](#) [2203348](#) [DF62W-2022SC](#) [1084018](#) [1029039](#) [1084017](#) [802-10-012-10-002000](#) [1112640](#) [1112639](#) [000-34000](#) [0009482033](#) [0009507031](#) [57102-S06-03LF](#) [57202-S52-04LF](#) [PCN6-15S-2.5E](#) [0039019024](#) [58102-G61-06LF](#) [582553-1](#) [0009508121](#) [0050291907](#) [018731A](#) [LY20-4P-DT1-P1E-BR](#) [02.125.8002.8](#) [60101931](#) [60598-1 \(Cut Strip\)](#) [M1625-3R/100](#) [61062-3](#) [61082-181009](#) [636-1427](#) [638009-1](#) [641938-9](#) [641991-4](#) [644168-1](#) [647662-1](#) [65039-019ELF](#) [65817-002LF](#) [65817-015LF](#) [65863-015LF](#) [66207-023LF](#) [67016-026LF](#) [67046-001LF](#) [67095-007LF](#) [68002-116](#) [68016-236H](#) [68648-049](#)