

DETAIL X
SCALE 2:1

NOTE:
1. MATERIAL :
HOUSING : THERMOPLASTIC UL94V-0,
COLOR: SEE TABLE.

| | | | | |
|----------------------------|-----------|------------|-----------|-------------|
| YELLOW | 33.2 | 30.00±0.20 | 16 | 3-1470201-6 |
| | 31.2 | 28.00±0.20 | 15 | 3-1470201-5 |
| | 29.2 | 26.00±0.20 | 14 | 3-1470201-4 |
| | 27.2 | 24.00±0.20 | 13 | 3-1470201-3 |
| | 25.2 | 22.00±0.15 | 12 | 3-1470201-2 |
| | 23.2 | 20.00±0.15 | 11 | 3-1470201-1 |
| | 21.2 | 18.00±0.15 | 10 | 3-1470201-0 |
| | 19.2 | 16.00±0.15 | 9 | 2-1470201-9 |
| | 17.2 | 14.00±0.10 | 8 | 2-1470201-8 |
| | 15.2 | 12.00±0.10 | 7 | 2-1470201-7 |
| | 13.2 | 10.00±0.10 | 6 | 2-1470201-6 |
| | 11.2 | 8.00±0.08 | 5 | 2-1470201-5 |
| | 9.2 | 6.00±0.08 | 4 | 2-1470201-4 |
| NATURAL OBSOLETE | 7.2 | 4.00±0.05 | 3 | 2-1470201-3 |
| | 5.2 | 2.00±0.05 | 2 | 2-1470201-2 |
| | 33.2 | 30.00±0.20 | 16 | 1-1470201-6 |
| | 31.2 | 28.00±0.20 | 15 | 1-1470201-5 |
| | 29.2 | 26.00±0.20 | 14 | 1-1470201-4 |
| | 27.2 | 24.00±0.20 | 13 | 1-1470201-3 |
| | 25.2 | 22.00±0.15 | 12 | 1-1470201-2 |
| | 23.2 | 20.00±0.15 | 11 | 1-1470201-1 |
| | 21.2 | 18.00±0.15 | 10 | 1-1470201-0 |
| | 19.2 | 16.00±0.15 | 9 | 1470201-9 |
| | 17.2 | 14.00±0.10 | 8 | 1470201-8 |
| | 15.2 | 12.00±0.10 | 7 | 1470201-7 |
| | 13.2 | 10.00±0.10 | 6 | 1470201-6 |
| 11.2 | 8.00±0.08 | 5 | 1470201-5 | |
| 9.2 | 6.00±0.08 | 4 | 1470201-4 | |
| 7.2 | 4.00±0.05 | 3 | 1470201-3 | |
| 5.2 | 2.00±0.05 | 2 | 1470201-2 | |
| HOUSING COLOR | DIM. B | DIM. A | POS. | PART NUMBER |

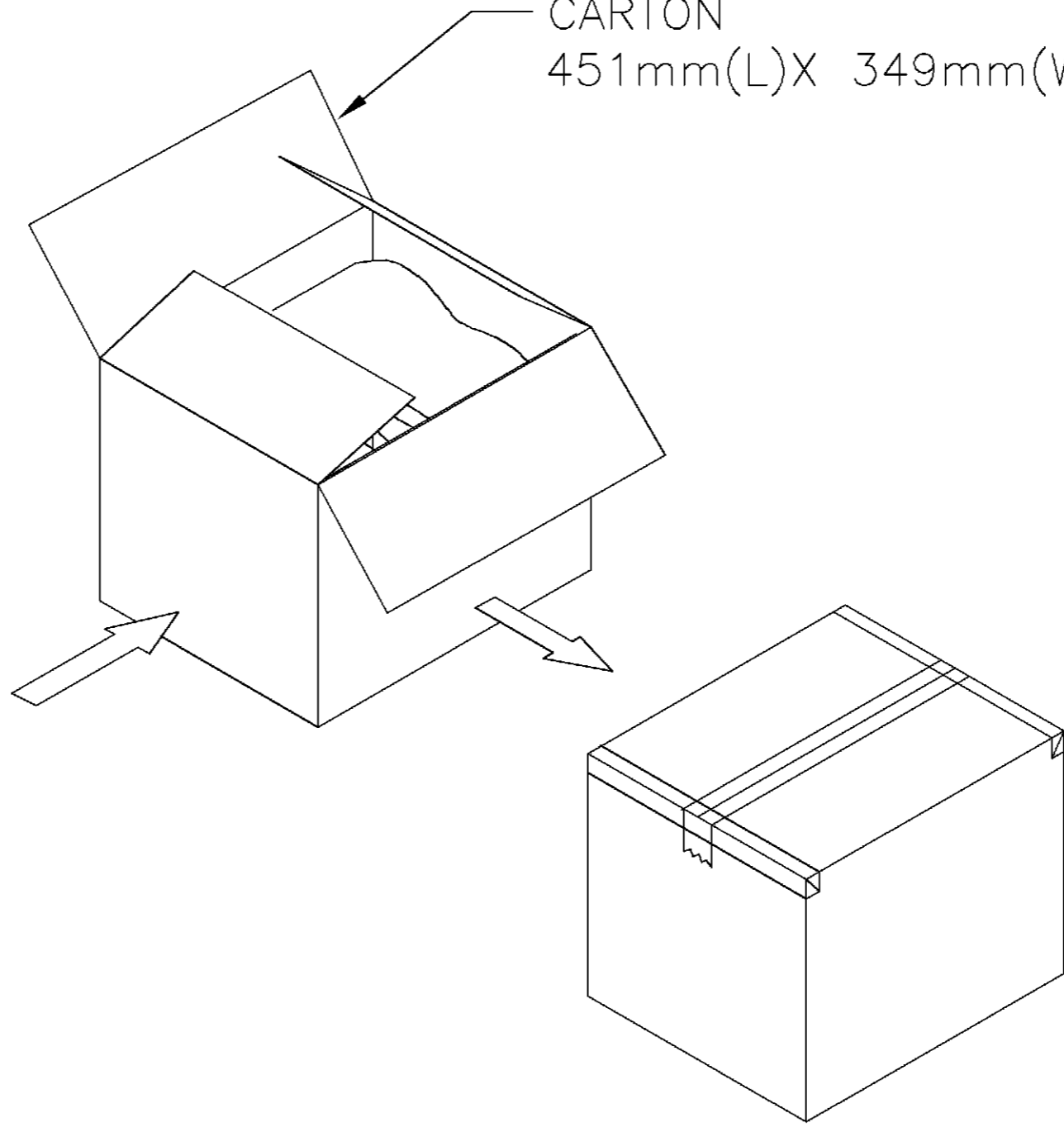
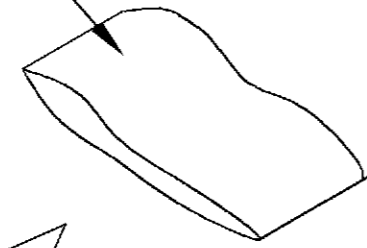
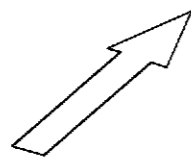
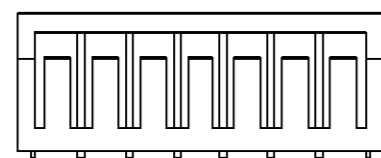
| | | | |
|---|---------------------------|-------------|---|
| DIMENSION : 0 PLC ± 1 PLC ±0.20 2 PLC ±0.10 3 PLC ±0.05 ANGLES ± | DWN | O. HU | TE Connectivity |
| | | 25-OCT-2002 | |
| MATERIAL SEE NOTE | CHK | J. CHENG | NAME 2.0 MM PITCH, CRIMP, VERTICAL HOUSING. |
| | | 25-OCT-2002 | |
| FINISH SEE NOTE | APVD | J. WU | LOC DW A ₃ |
| | | 25-OCT-2002 | |
| | PRODUCT SPEC | 108-57158 | DRAWING NO |
| | QUALIFICATION TEST REPORT | 501-57248 | C-1470201 |
| | WEIGHT | | REV B2 |
| | | | SHEET 1 OF 2 |

ECO-16-002887 B2

| | | | | |
|-----|-----------------|---------------|-----|--------|
| B1 | | REVISED PER | RK | 5APR11 |
| LTR | REVISION RECORD | ECO | DWN | DATE |
| | | ECO-11-005301 | HMR | |
| | | | CHK | |

POLY BAG

CARTON
451mm(L)X 349mm(W)X 302mm(H)



| | | |
|------------------|---------------|-------------|
| 35,000 | 1000 | 3-1470201-6 |
| 35,000 | 1000 | 3-1470201-5 |
| 40,000 | 1000 | 3-1470201-4 |
| 40,000 | 1000 | 3-1470201-3 |
| 45,000 | 1000 | 3-1470201-2 |
| 45,000 | 1000 | 3-1470201-1 |
| 60,000 | 1000 | 3-1470201-0 |
| 65,000 | 1000 | 2-1470201-9 |
| 80,000 | 1000 | 2-1470201-8 |
| 80,000 | 1000 | 2-1470201-7 |
| 100,000 | 1000 | 2-1470201-6 |
| 120,000 | 1000 | 2-1470201-5 |
| 140,000 | 1000 | 2-1470201-4 |
| 170,000 | 1000 | 2-1470201-3 |
| 260,000 | 1000 | 2-1470201-2 |
| 35,000 | 1000 | 1-1470201-6 |
| 35,000 | 1000 | 1-1470201-5 |
| 40,000 | 1000 | 1-1470201-4 |
| 40,000 | 1000 | 1-1470201-3 |
| 45,000 | 1000 | 1-1470201-2 |
| 45,000 | 1000 | 1-1470201-1 |
| 60,000 | 1000 | 1-1470201-0 |
| 65,000 | 1000 | 1470201-9 |
| 80,000 | 1000 | 1470201-8 |
| 80,000 | 1000 | 1470201-7 |
| 100,000 | 1000 | 1470201-6 |
| 120,000 | 1000 | 1470201-5 |
| 140,000 | 1000 | 1470201-4 |
| 170,000 | 1000 | 1470201-3 |
| 260,000 | 1000 | 1470201-2 |
| APQ (PCS/CARTON) | PPQ (PCS/BAG) | PART NUMBER |

REMOVED

UNLESS OTHERWISE SPECIFIED REMOVE BURRS, BREAK SHARP EDGE 0.4R MAX.

| | | | | | | | |
|-------------|-------------|------------|-------------|-----------------------------------|---|---------|-----|
| DWN | O. HU | APVD | J. WU | tyco Electronics | TYCO HOLDINGS (BERMUDA) VII LTD. TAIWAN BRANCH | | |
| 25-OCT-2002 | 25-OCT-2002 | REL | 25-OCT-2002 | | | | |
| CHK | J. CHENG | REL | | SIZE | LOC | NUMBER | REV |
| | 25-OCT-2002 | | | A3 | DW | 1470201 | B2 |
| TERMINAL | TYPE | FIRST USED | | | | | |
| -- | -- | -- | | | | | |

| | | | | |
|--------------|-----------------|-----|---------|------|
| SEE SHEET 1. | | | | |
| LTR | REVISION RECORD | ECN | DWN/CHK | DATE |

SCALE: -- NAME: 2.0 MM PITCH, CRIMP, VERTICAL, HOUSING.

X-ON Electronics

Largest Supplier of Electrical and Electronic Components

Click to view similar products for [Headers & Wire Housings](#) category:

Click to view products by [TE Connectivity](#) manufacturer:

Other Similar products are found below :

[95000-104TRLF](#) [10135584-644402LF](#) [DF62W-EP2022PCA](#) [95000-106TRLF](#) [DF62W-2022SCA](#) [DF62W-EP2022PC](#) [2203348](#) [DF62W-2022SC](#) [1084018](#) [1029039](#) [1084017](#) [802-10-012-10-002000](#) [1112640](#) [1112639](#) [000-34000](#) [0009482033](#) [0009507031](#) [57102-S06-03LF](#) [57202-S52-04LF](#) [PCN6-15S-2.5E](#) [0039019024](#) [58102-G61-06LF](#) [582553-1](#) [0009508121](#) [0050291907](#) [018731A](#) [LY20-4P-DT1-P1E-BR](#) [02.125.8002.8](#) [60101931](#) [60598-1 \(Cut Strip\)](#) [M1625-3R/100](#) [61062-3](#) [61082-181009](#) [636-1427](#) [638009-1](#) [641938-9](#) [641991-4](#) [644168-1](#) [647662-1](#) [65039-019ELF](#) [65817-002LF](#) [65817-015LF](#) [65863-015LF](#) [66207-023LF](#) [67016-026LF](#) [67046-001LF](#) [67095-007LF](#) [68002-116](#) [68016-236H](#) [68648-049](#)