

DETAIL X
SCALE 2:1

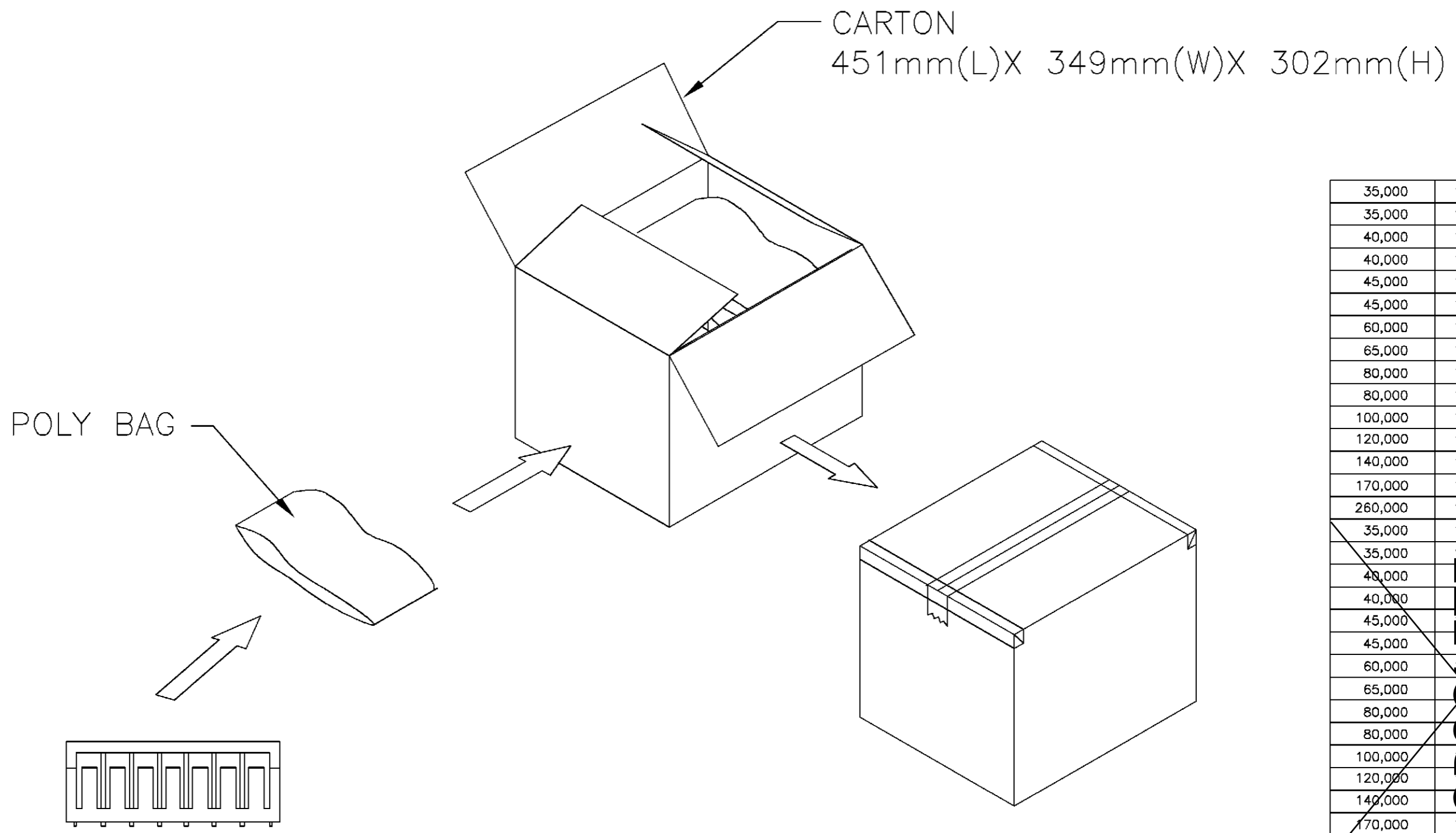
NOTE:
1. MATERIAL :
HOUSING : THERMOPLASTIC UL94V-0,
COLOR: SEE TABLE.

YELLOW	33.2	30.00±0.20	16	3-1470201-6
	31.2	28.00±0.20	15	3-1470201-5
	29.2	26.00±0.20	14	3-1470201-4
	27.2	24.00±0.20	13	3-1470201-3
	25.2	22.00±0.15	12	3-1470201-2
	23.2	20.00±0.15	11	3-1470201-1
	21.2	18.00±0.15	10	3-1470201-0
	19.2	16.00±0.15	9	2-1470201-9
	17.2	14.00±0.10	8	2-1470201-8
	15.2	12.00±0.10	7	2-1470201-7
	13.2	10.00±0.10	6	2-1470201-6
	11.2	8.00±0.08	5	2-1470201-5
	9.2	6.00±0.08	4	2-1470201-4
OBSOLETE NATURAL	7.2	4.00±0.05	3	2-1470201-3
	5.2	2.00±0.05	2	2-1470201-2
	33.2	30.00±0.20	16	1-1470201-6
	31.2	28.00±0.20	15	1-1470201-5
	29.2	26.00±0.20	14	1-1470201-4
	27.2	24.00±0.20	13	1-1470201-3
	25.2	22.00±0.15	12	1-1470201-2
	23.2	20.00±0.15	11	1-1470201-1
	21.2	18.00±0.15	10	1-1470201-0
	19.2	16.00±0.15	9	1470201-9
	17.2	14.00±0.10	8	1470201-8
	15.2	12.00±0.10	7	1470201-7
	13.2	10.00±0.10	6	1470201-6
11.2	8.00±0.08	5	1470201-5	
9.2	6.00±0.08	4	1470201-4	
7.2	4.00±0.05	3	1470201-3	
5.2	2.00±0.05	2	1470201-2	
HOUSING COLOR	DIM. B	DIM. A	POS.	PART NUMBER

DIMENSION : 0 PLC ± 1 PLC ±0.20 2 PLC ±0.10 3 PLC ±0.05 ANGLES ±	DWN	O. HU	TE Connectivity	
		25-OCT-2002		
MATERIAL	CHK	J. CHENG	NAME 2.0 MM PITCH, CRIMP, VERTICAL HOUSING.	
		25-OCT-2002		
SEE NOTE	APVD	J. WU	LOC DW A ₃ DRAWING NO C-1470201 REV B2	
		25-OCT-2002		
SEE NOTE	PRODUCT SPEC	108-57158	SCALE --- SHEET 1 OF 2	
	QUALIFICATION TEST REPORT	501-57248		
	WEIGHT			

ECO-16-002887 B2

B1		REVISED PER	RK	5APR11
LTR	REVISION RECORD	ECO	DWN	DATE



35,000	1000	3-1470201-6
35,000	1000	3-1470201-5
40,000	1000	3-1470201-4
40,000	1000	3-1470201-3
45,000	1000	3-1470201-2
45,000	1000	3-1470201-1
60,000	1000	3-1470201-0
65,000	1000	2-1470201-9
80,000	1000	2-1470201-8
80,000	1000	2-1470201-7
100,000	1000	2-1470201-6
120,000	1000	2-1470201-5
140,000	1000	2-1470201-4
170,000	1000	2-1470201-3
260,000	1000	2-1470201-2
35,000	1000	1-1470201-6
35,000	1000	1-1470201-5
40,000	1000	1-1470201-4
40,000	1000	1-1470201-3
45,000	1000	1-1470201-2
45,000	1000	1-1470201-1
60,000	1000	1-1470201-0
65,000	1000	1470201-9
80,000	1000	1470201-8
80,000	1000	1470201-7
100,000	1000	1470201-6
120,000	1000	1470201-5
140,000	1000	1470201-4
170,000	1000	1470201-3
260,000	1000	1470201-2
APQ (PCS/CARTON)	PPQ (PCS/BAG)	PART NUMBER

UNLESS OTHERWISE SPECIFIED REMOVE BURRS, BREAK SHARP EDGE 0.4R MAX.

DWN	O. HU	APVD	J. WU		TYCO HOLDINGS (BERMUDA) VII LTD. TAIWAN BRANCH		
	25-OCT-2002		25-OCT-2002				
CHK	J. CHENG	REL		SIZE	LOC	NUMBER	REV
	25-OCT-2002			A3	DW	1470201	B2
TERMINAL	TYPE	FIRST USED					
--	--	--					

SEE SHEET 1.			
LTR	REVISION RECORD	ECN	DWN/CHK DATE

SCALE: -- NAME: 2.0 MM PITCH, CRIMP, VERTICAL, HOUSING.

X-ON Electronics

Largest Supplier of Electrical and Electronic Components

Click to view similar products for [Headers & Wire Housings](#) category:

Click to view products by [TE Connectivity](#) manufacturer:

Other Similar products are found below :

[95000-104TRLF](#) [10135584-644402LF](#) [DF62W-EP2022PCA](#) [95000-106TRLF](#) [DF62W-2022SCA](#) [DF62W-EP2022PC](#) [2203348](#) [DF62W-2022SC](#) [1084018](#) [1029039](#) [1084017](#) [802-10-012-10-002000](#) [1112640](#) [1112639](#) [000-34000](#) [0009482033](#) [0009507031](#) [57102-S06-03LF](#) [57202-S52-04LF](#) [PCN6-15S-2.5E](#) [0039019024](#) [58102-G61-06LF](#) [582553-1](#) [0009508121](#) [0050291907](#) [018731A](#) [LY20-4P-DT1-P1E-BR](#) [02.125.8002.8](#) [60101931](#) [60598-1 \(Cut Strip\)](#) [M1625-3R/100](#) [61062-3](#) [61082-181009](#) [636-1427](#) [638009-1](#) [641938-9](#) [641991-4](#) [644168-1](#) [647662-1](#) [65039-019ELF](#) [65817-002LF](#) [65817-015LF](#) [65863-015LF](#) [66207-023LF](#) [67016-026LF](#) [67046-001LF](#) [67095-007LF](#) [68002-116](#) [68016-236H](#) [68648-049](#)