

DETAIL X  
SCALE 2:1

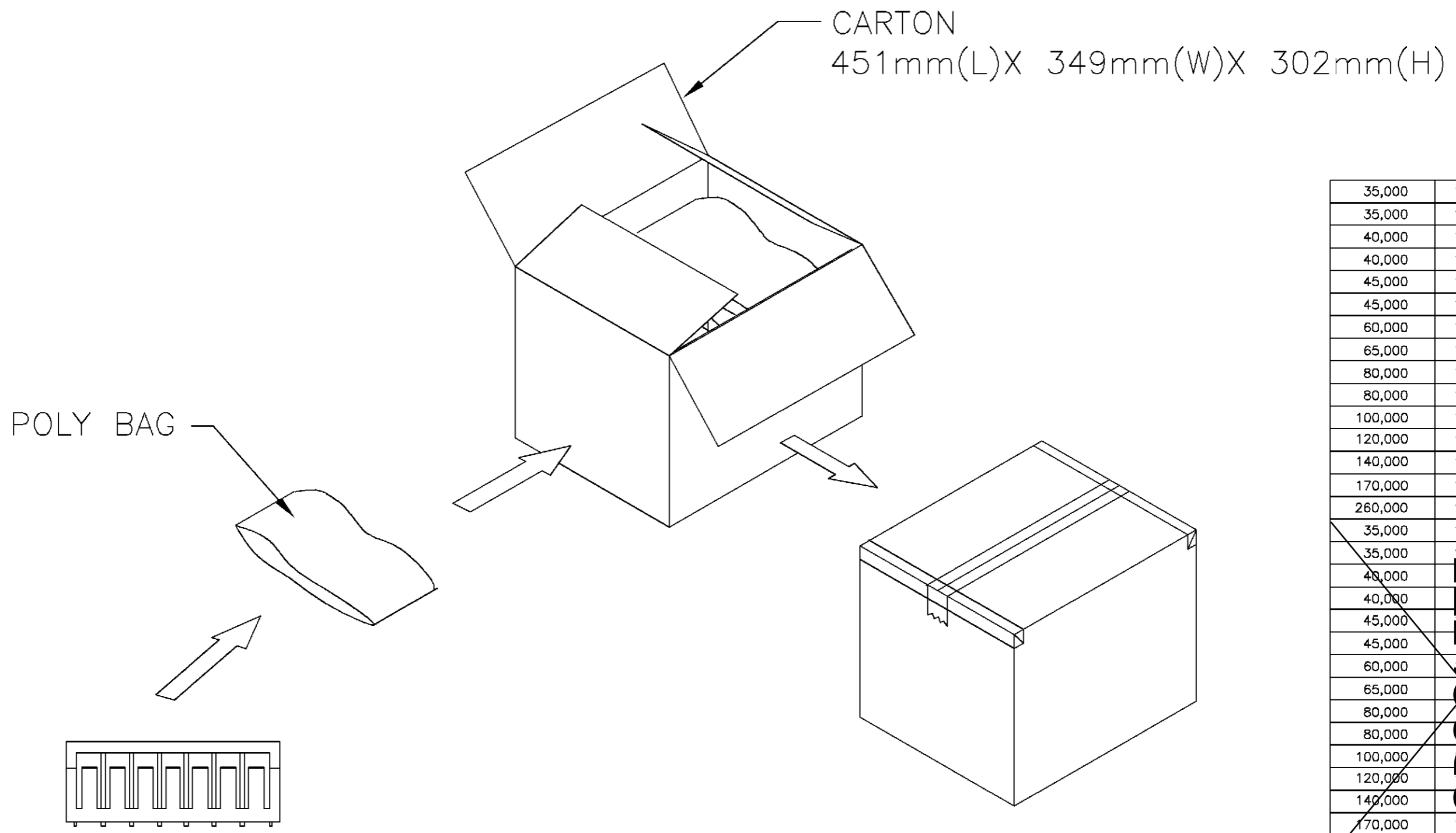
NOTE:  
1. MATERIAL :  
HOUSING : THERMOPLASTIC UL94V-0,  
COLOR: SEE TABLE.

| YELLOW                     | 33.2      | 30.00±0.20 | 16        | 3-1470201-6 |
|----------------------------|-----------|------------|-----------|-------------|
|                            | 31.2      | 28.00±0.20 | 15        | 3-1470201-5 |
|                            | 29.2      | 26.00±0.20 | 14        | 3-1470201-4 |
|                            | 27.2      | 24.00±0.20 | 13        | 3-1470201-3 |
|                            | 25.2      | 22.00±0.15 | 12        | 3-1470201-2 |
|                            | 23.2      | 20.00±0.15 | 11        | 3-1470201-1 |
|                            | 21.2      | 18.00±0.15 | 10        | 3-1470201-0 |
|                            | 19.2      | 16.00±0.15 | 9         | 2-1470201-9 |
|                            | 17.2      | 14.00±0.10 | 8         | 2-1470201-8 |
|                            | 15.2      | 12.00±0.10 | 7         | 2-1470201-7 |
|                            | 13.2      | 10.00±0.10 | 6         | 2-1470201-6 |
|                            | 11.2      | 8.00±0.08  | 5         | 2-1470201-5 |
|                            | 9.2       | 6.00±0.08  | 4         | 2-1470201-4 |
| NATURAL<br><b>OBSOLETE</b> | 7.2       | 4.00±0.05  | 3         | 2-1470201-3 |
|                            | 5.2       | 2.00±0.05  | 2         | 2-1470201-2 |
|                            | 33.2      | 30.00±0.20 | 16        | 1-1470201-6 |
|                            | 31.2      | 28.00±0.20 | 15        | 1-1470201-5 |
|                            | 29.2      | 26.00±0.20 | 14        | 1-1470201-4 |
|                            | 27.2      | 24.00±0.20 | 13        | 1-1470201-3 |
|                            | 25.2      | 22.00±0.15 | 12        | 1-1470201-2 |
|                            | 23.2      | 20.00±0.15 | 11        | 1-1470201-1 |
|                            | 21.2      | 18.00±0.15 | 10        | 1-1470201-0 |
|                            | 19.2      | 16.00±0.15 | 9         | 1470201-9   |
|                            | 17.2      | 14.00±0.10 | 8         | 1470201-8   |
|                            | 15.2      | 12.00±0.10 | 7         | 1470201-7   |
|                            | 13.2      | 10.00±0.10 | 6         | 1470201-6   |
| 11.2                       | 8.00±0.08 | 5          | 1470201-5 |             |
| 9.2                        | 6.00±0.08 | 4          | 1470201-4 |             |
| 7.2                        | 4.00±0.05 | 3          | 1470201-3 |             |
| 5.2                        | 2.00±0.05 | 2          | 1470201-2 |             |
| HOUSING COLOR              | DIM. B    | DIM. A     | POS.      | PART NUMBER |

|   |                           |             |   |  |
|---|---------------------------|-------------|---|--|
| DIMENSION :<br>0 PLC ±<br>1 PLC ±0.20<br>2 PLC ±0.10<br>3 PLC ±0.05<br>ANGLES ± | DWN                       | O. HU       | TE Connectivity                                       |  |
|   |                           | 25-OCT-2002 |   |  |
| MATERIAL  | CHK                       | J. CHENG    | NAME<br><br>2.0 MM PITCH, CRIMP,<br>VERTICAL HOUSING. |  |
|   |                           | 25-OCT-2002 |   |  |
| SEE NOTE  | APVD                      | J. WU       | LOC DW A <sub>3</sub> DRAWING NO C-1470201 REV B2     |  |
|   |                           | 25-OCT-2002 |   |  |
| SEE NOTE  | PRODUCT SPEC              | 108-57158   | SCALE --- SHEET 1 OF 2                                |  |
|   | QUALIFICATION TEST REPORT | 501-57248   |   |  |
|   | WEIGHT                    |             |   |  |

ECO-16-002887 B2

|     |                 |               |     |        |
|-----|-----------------|---------------|-----|--------|
| B1  |                 | REVISED PER   | RK  | 5APR11 |
| LTR | REVISION RECORD | ECO           | DWN | DATE   |
|     |                 | ECO-11-005301 | HMR |        |
|     |                 |               | CHK |        |



|                  |               |             |
|------------------|---------------|-------------|
| 35,000           | 1000          | 3-1470201-6 |
| 35,000           | 1000          | 3-1470201-5 |
| 40,000           | 1000          | 3-1470201-4 |
| 40,000           | 1000          | 3-1470201-3 |
| 45,000           | 1000          | 3-1470201-2 |
| 45,000           | 1000          | 3-1470201-1 |
| 60,000           | 1000          | 3-1470201-0 |
| 65,000           | 1000          | 2-1470201-9 |
| 80,000           | 1000          | 2-1470201-8 |
| 80,000           | 1000          | 2-1470201-7 |
| 100,000          | 1000          | 2-1470201-6 |
| 120,000          | 1000          | 2-1470201-5 |
| 140,000          | 1000          | 2-1470201-4 |
| 170,000          | 1000          | 2-1470201-3 |
| 260,000          | 1000          | 2-1470201-2 |
| 35,000           | 1000          | 1-1470201-6 |
| 35,000           | 1000          | 1-1470201-5 |
| 40,000           | 1000          | 1-1470201-4 |
| 40,000           | 1000          | 1-1470201-3 |
| 45,000           | 1000          | 1-1470201-2 |
| 45,000           | 1000          | 1-1470201-1 |
| 60,000           | 1000          | 1-1470201-0 |
| 65,000           | 1000          | 1470201-9   |
| 80,000           | 1000          | 1470201-8   |
| 80,000           | 1000          | 1470201-7   |
| 100,000          | 1000          | 1470201-6   |
| 120,000          | 1000          | 1470201-5   |
| 140,000          | 1000          | 1470201-4   |
| 170,000          | 1000          | 1470201-3   |
| 260,000          | 1000          | 1470201-2   |
| APQ (PCS/CARTON) | PPQ (PCS/BAG) | PART NUMBER |

UNLESS OTHERWISE SPECIFIED REMOVE BURRS, BREAK SHARP EDGE 0.4R MAX.

|             |          |            |             |  |         |     |
|-------------|----------|------------|-------------|--|---------|-----|
| DWN         | O. HU    | APVD       | J. WU       | TYCO HOLDINGS (BERMUDA) VII LTD. TAIWAN BRANCH |         |     |
| 25-OCT-2002 |          |            | 25-OCT-2002 |  |         |     |
| CHK         | J. CHENG | REL        |             |  |         |     |
| 25-OCT-2002 |          |            |             |  |         |     |
| TERMINAL    | TYPE     | FIRST USED | SIZE        | LOC  | NUMBER  | REV |
| --          | --       | --         | A3          | DW   | 1470201 | B2  |

|       |   |
|-------|---|
| SCALE | NAME                                    |
| --    | 2.0 MM PITCH, CRIMP, VERTICAL, HOUSING. |

|                 |     |         |      |
|-----------------|-----|---------|------|
| SEE SHEET 1.    | ECN | DWN/CHK | DATE |
| REVISION RECORD |     |         |      |

## X-ON Electronics

Largest Supplier of Electrical and Electronic Components

*Click to view similar products for [Headers & Wire Housings](#) category:*

*Click to view products by [TE Connectivity](#) manufacturer:*

Other Similar products are found below :

[95000-104TRLF](#) [10135584-644402LF](#) [DF62W-EP2022PCA](#) [95000-106TRLF](#) [DF62W-2022SCA](#) [DF62W-EP2022PC](#) [2203348](#) [DF62W-2022SC](#) [1084018](#) [1029039](#) [1084017](#) [802-10-012-10-002000](#) [1112640](#) [1112639](#) [000-34000](#) [0009482033](#) [0009507031](#) [57102-S06-03LF](#) [57202-S52-04LF](#) [PCN6-15S-2.5E](#) [0039019024](#) [58102-G61-06LF](#) [582553-1](#) [0009508121](#) [0050291907](#) [018731A](#) [LY20-4P-DT1-P1E-BR](#) [02.125.8002.8](#) [60101931](#) [60598-1 \(Cut Strip\)](#) [M1625-3R/100](#) [61062-3](#) [61082-181009](#) [636-1427](#) [638009-1](#) [641938-9](#) [641991-4](#) [644168-1](#) [647662-1](#) [65039-019ELF](#) [65817-002LF](#) [65817-015LF](#) [65863-015LF](#) [66207-023LF](#) [67016-026LF](#) [67046-001LF](#) [67095-007LF](#) [68002-116](#) [68016-236H](#) [68648-049](#)