

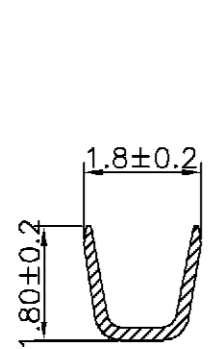
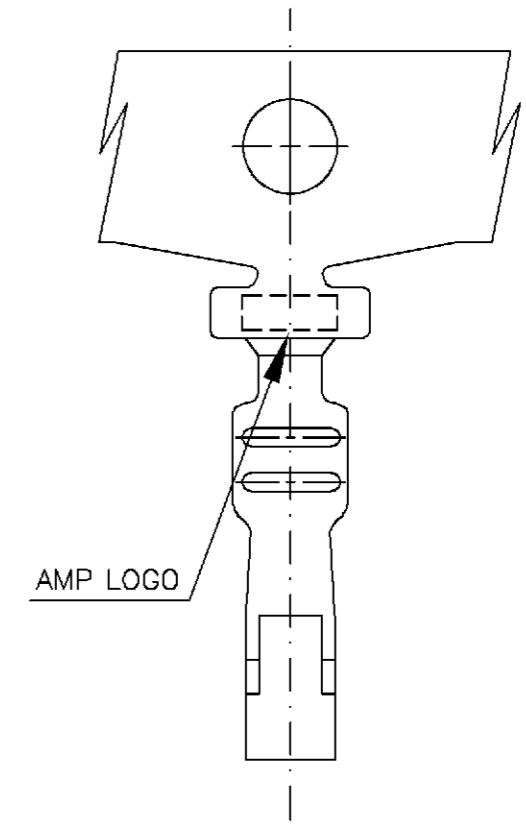
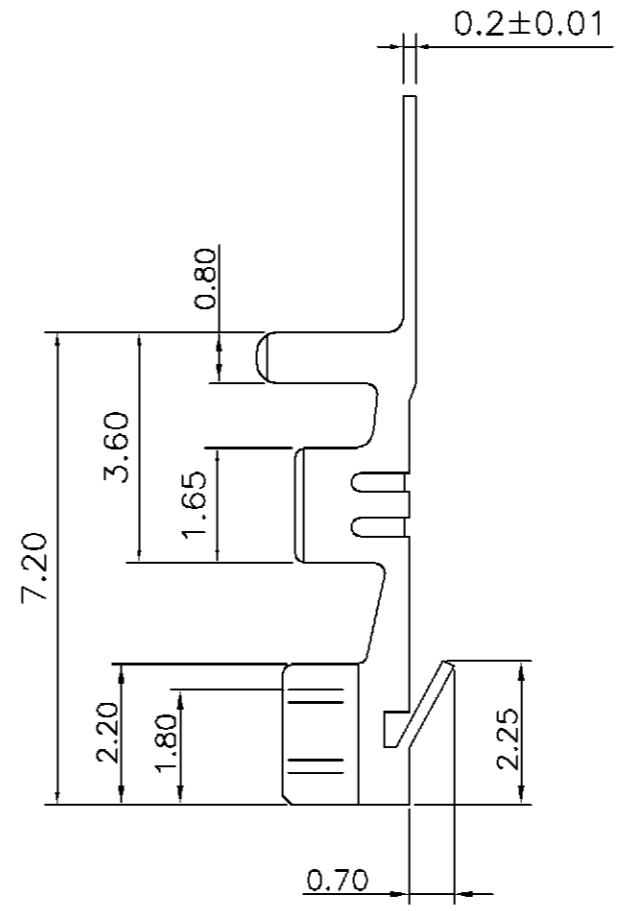
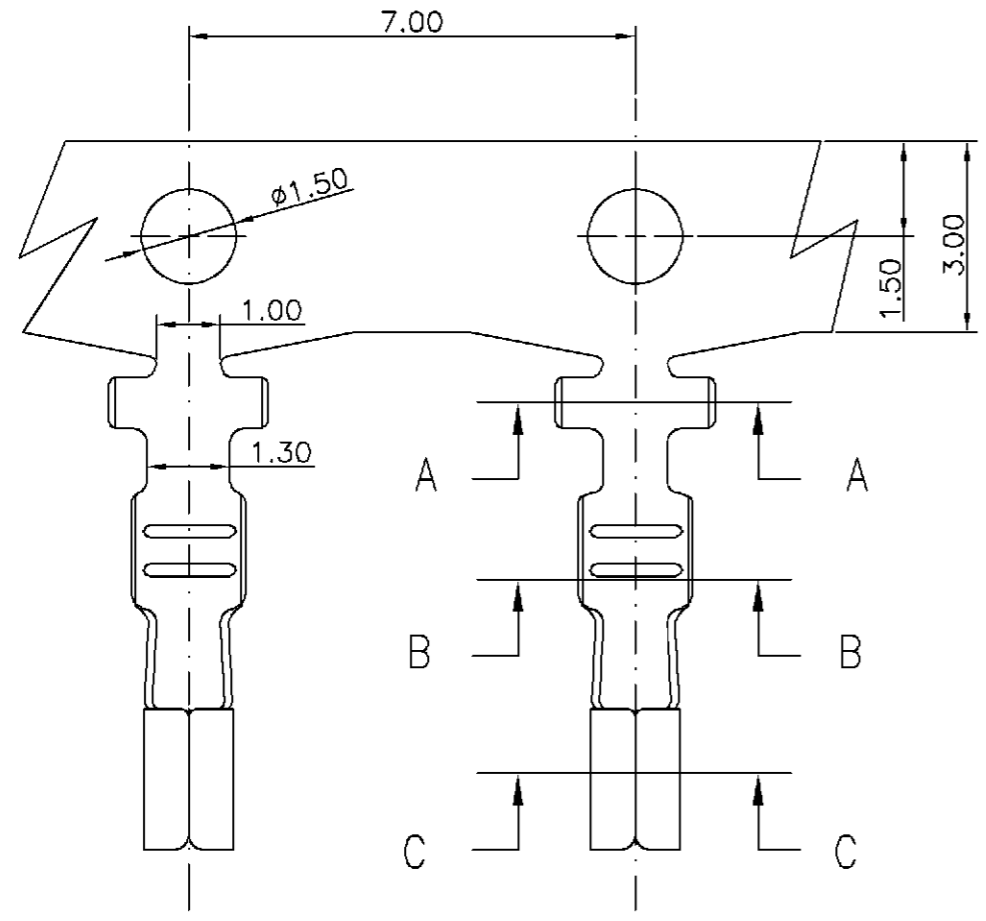
NUMBER
C-1470223

3RD ANGLE PROJECTION

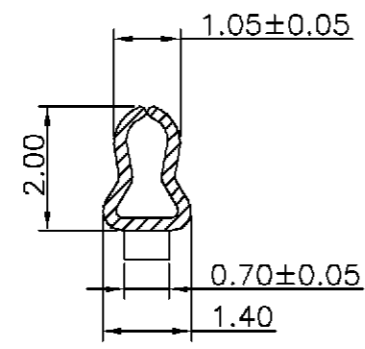
METRIC

THIS INFORMATION IS CONFIDENTIAL AND IS DISCLOSED TO YOU ON CONDITION THAT NO FURTHER DISCLOSURE IS MADE BY YOU TO OTHER THAN AMP PERSONNEL WITHOUT WRITTEN AUTHORIZATION FROM AMP (TAIWAN) LTD. DIMENSIONS IN MILLIMETERS. DO NOT SCALE PRINT.

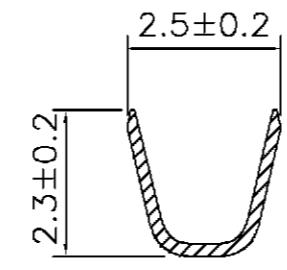
PRINT
DW



SEC B-B



SEC C-C



SEC A-A

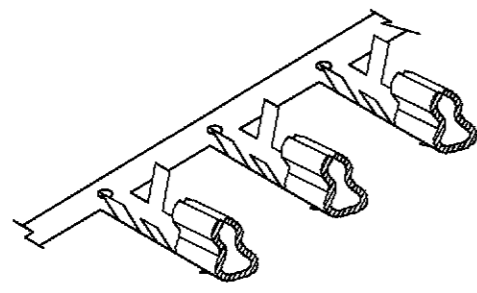
NOTE:

1. MATERIAL :
TERMINAL : COPPER ALLOY.
2. FINISH:
TERMINAL : TIN PLATED ON CONTACT AREA.
NICKEL UNDERPLATED OVER ALL.
3. QUALIFICATION TEST REPORT: 501-57195.

1470223-1
PART NUMBER

DIMENSION : 0 PLC ±0.5 1 PLC ±0.2 2 PLC ±0.1 3 PLC ±0.05 ANGLES ±3'	DWN	O. HU 31-MAR-2004	TYCO HOLDINGS (BERMUDA) VII LTD. TAIWAN BRANCH			
	CHK	S. HOU 31-MAR-2004				
MATERIAL SEE NOTE	APVD	T. KE 31-MAR-2004	NAME 2.5mm PITCH EMIX RCPT CRIMP CONTACT			
	PRODUCT SPEC	108-57175				
FINISH SEE NOTE	APPLICATION SPEC	114-57012	LOC DW	SIZE A₃	DRAWING NO C-1470223	REV B
	WEIGHT		SCALE	--	SHEET	1 OF 2

B	CHANGE PACKAGE'S QTY'S	FZ00-0048-04	OH SH	02-APR 2004
A	REVISED DRAWING	FZ00-0167-03	OH AW	28-JUL 2003
O	FIRST RELEASED	FZ00-0009-02	OH JC	10JAN 2002
LTR	REVISION RECORD	ECN	DWN CHK	DATE



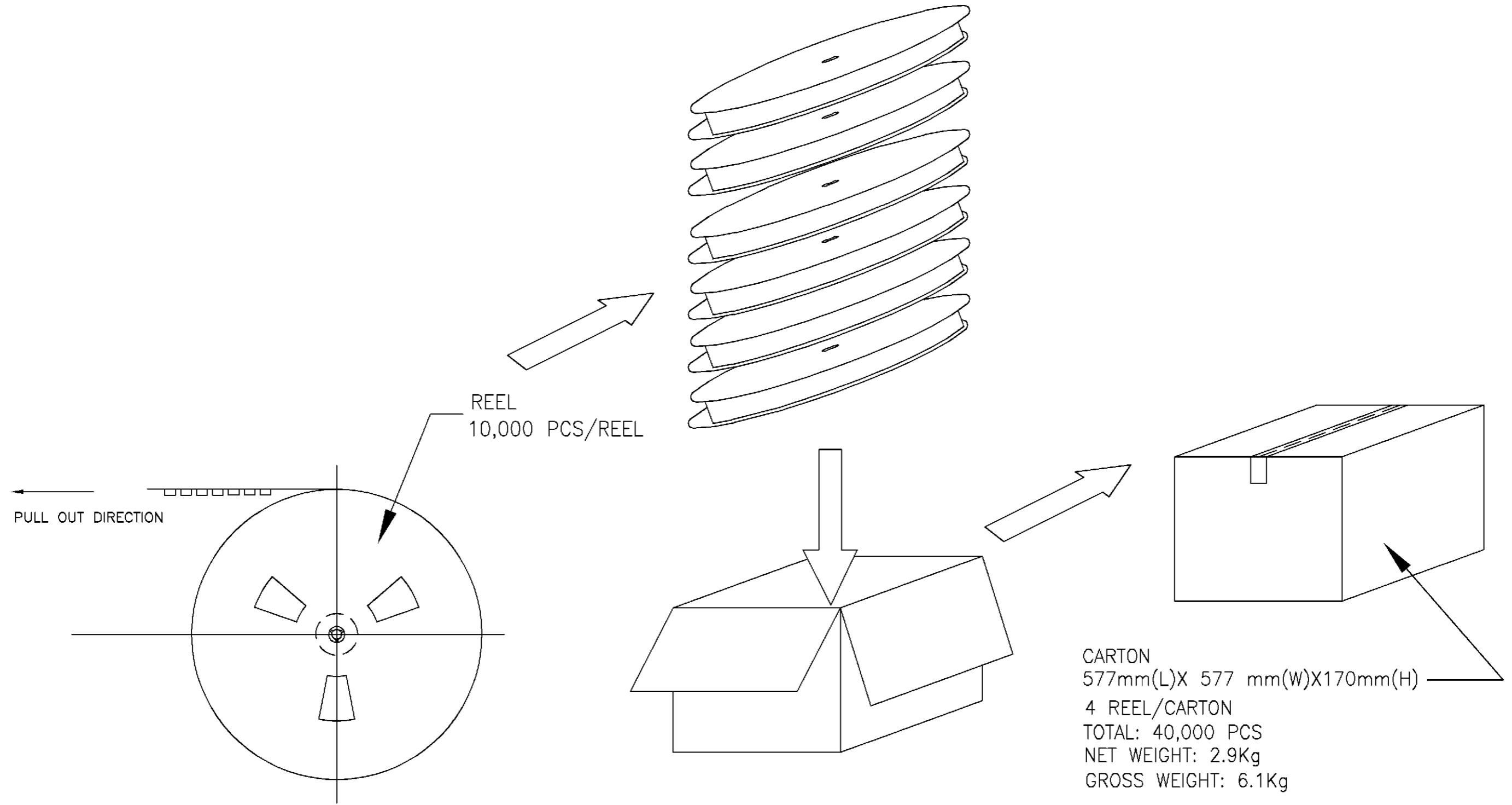
THIS INFORMATION IS CONFIDENTIAL AND IS DISCLOSED TO YOU ON CONDITION THAT NO FURTHER DISCLOSURE IS MADE BY YOU TO OTHER THAN AMP PERSONNEL WITHOUT WRITTEN AUTHORIZATION FROM AMP (TAIWAN) LTD. DIMENSIONS IN MILLIMETERS. DO NOT SCALE PRINT.

PRINT DIST
DW

METRIC



NUMBER
C-1470223



8 7 6 5 4 3 2 1 CUSTOMER DRAWING

SEE SHEET 1.	ECN	DWN	CHK	DATE
LTR	REVISION RECORD			

DIMENSION : 0 PLC ±0.5 1 PLC ±0.2 2 PLC ±0.1 3 PLC ±0.05 ANGLES ±3'	DWN	O. HU	TYCO HOLDINGS (BERMUDA) VII LTD. TAIWAN BRANCH			
	CHK	S. HOU				
MATERIAL SEE NOTE	APVD	T. KE	NAME 2.5mm PITCH EMIX RCPT CRIMP CONTACT			
	PRODUCT SPEC	31-MAR-2004				
FINISH SEE NOTE	APPLICATION SPEC		LOC	SIZE	DRAWING NO	REV
	WEIGHT		DW	A ₃	C-1470223	B
			SCALE	SHEET		
			--	2 OF 2		

X-ON Electronics

Largest Supplier of Electrical and Electronic Components

Click to view similar products for [Headers & Wire Housings](#) category:

Click to view products by [TE Connectivity](#) manufacturer:

Other Similar products are found below :

[892-18-020-10-001101](#) [58102-G61-06LF](#) [582553-1](#) [0009485154](#) [009176003701906](#) [0050291907](#) [LY20-4P-DT1-P1E-BR](#) [02.125.8002.8](#)
[609-3404](#) [61062-3](#) [61082-181009](#) [622-3653LF](#) [63453-116](#) [636-1030](#) [636-1427](#) [636-3427](#) [636-4007](#) [641938-9](#) [641991-4](#) [644827-2](#) [65817-](#)
[010LF](#) [65817-015LF](#) [65863-015LF](#) [66207-023LF](#) [67095-007LF](#) [67601157](#) [68645-018](#) [68648-049](#) [70.362.1628.0](#) [70-4210](#) [70-4226B](#) [70-](#)
[4853B](#) [707-5020](#) [707-5028](#) [71.350.2428.0](#) [71918-208LF](#) [71961-016LF](#) [733-134](#) [733-162](#) [754199-000](#) [760-3052](#) [787-8014-00](#) [79531-3000](#)
[FCN-360C032-B](#) [FCN-367T-T012/H](#) [FCN-723D010/2](#) [80.063.4001.1](#) [800-90-001-10-001000](#) [800-90-010-10-002000](#) [801-43-002-10-013000](#)