

4

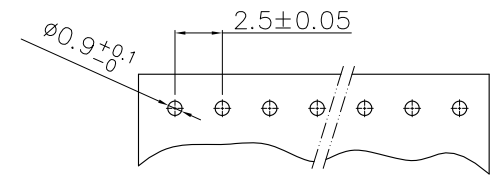
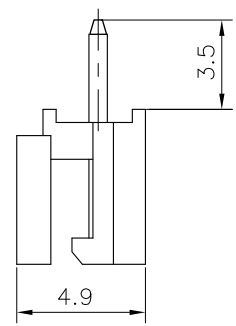
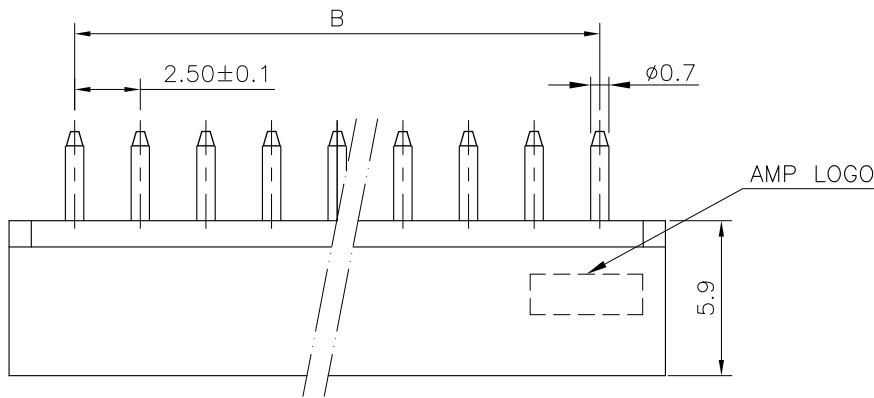
3

2

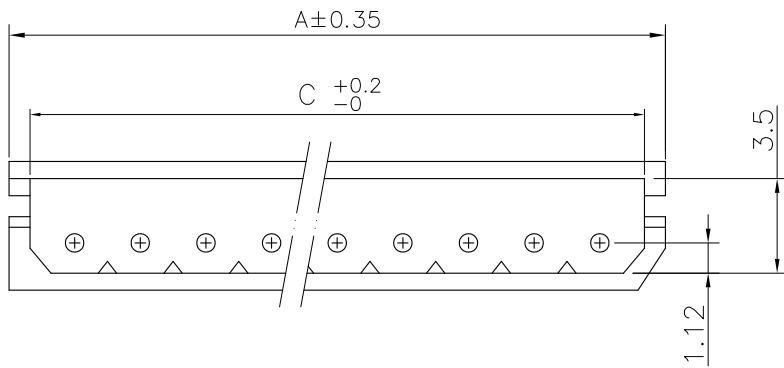
1

THIS DRAWING IS UNPUBLISHED. RELEASED FOR PUBLICATION
COPYRIGHT BY TYCO ELECTRONICS CORPORATION. ALL RIGHTS RESERVED.

LOC	DIST	REVISIONS			
P	LTR	DESCRIPTION	DATE	DWN	APVD
DW	-	E1	REVISED	20JUN16	JJ WH



RECOMMENDED PCB LAYOUT (THICKNESS: 1.6MM)
(TOP VIEW) (TOLERANCE: ±0.05)



HSG. COLOR	C	B	A	POS.	PART NUMBER
	38.4	35.00 ±0.20	40.0	15	3-1470224-5
	35.9	32.50 ±0.20	37.5	14	3-1470224-4
	33.4	30.00 ±0.20	35.0	13	3-1470224-3
	30.9	27.50 ±0.20	32.5	12	3-1470224-2
	28.4	25.00 ±0.20	30.0	11	3-1470224-1
	25.9	22.50 ±0.15	27.5	10	3-1470224-0
	23.4	20.00 ±0.15	25.0	9	2-1470224-9
	20.9	17.50 ±0.15	22.5	8	2-1470224-8
	18.4	15.00 ±0.15	20.0	7	2-1470224-7
	15.9	12.50 ±0.10	17.5	6	2-1470224-6
	13.4	10.00 ±0.10	15.0	5	2-1470224-5
	10.9	7.50 ±0.10	12.5	4	2-1470224-4
	8.4	5.00 ±0.10	10.0	3	2-1470224-3
	5.9	2.50 ±0.10	7.5	2	2-1470224-2
	38.4	35.00 ±0.20	40.0	15	1-1470224-5
	35.9	32.50 ±0.20	37.5	14	1-1470224-4
	33.4	30.00 ±0.20	35.0	13	1-1470224-3
	30.9	27.50 ±0.20	32.5	12	1-1470224-2
	28.4	25.00 ±0.20	30.0	11	1-1470224-1
	25.9	22.50 ±0.15	27.5	10	1-1470224-0
	23.4	20.00 ±0.15	25.0	9	0-1470224-9
	20.9	17.50 ±0.15	22.5	8	0-1470224-8
	18.4	15.00 ±0.15	20.0	7	0-1470224-7
	15.9	12.50 ±0.10	17.5	6	0-1470224-6
	13.4	10.00 ±0.10	15.0	5	0-1470224-5
	10.9	7.50 ±0.10	12.5	4	0-1470224-4
	8.4	5.00 ±0.10	10.0	3	0-1470224-3
	5.9	2.50 ±0.10	7.5	2	0-1470224-2

NOTE:

- MATERIAL:
HOUSING: PA66, UL 94V-2, COLOR: SEE TABLE.
CONTACTS: BRASS.
- FINISH:
CONTACTS: 1.27µm [50µ"] MIN. BRIGHT-TIN ON SOLDER TAIL, WITH ENTIRE CONTACT UNDERPLATED 0.381µm [15µ"] MIN. NICKEL.
- WAVE SOLDER CAPABLE TO 240°C PER TE CONNECTIVITY TEST SPEC. 109-202, CONDITION A.

⚠ OBSOLETE PARTS: OBSOLETE CIS STREAMLINING PER D.RENAUD/D.SINISI

THIS DRAWING IS A CONTROLLED DOCUMENT.

DWN O. HU 19DEC2006	TE Connectivity 2.5mm PITCH EMIX POST HEADER, VERTICAL TYP				
CHK S. HOU 19DEC2006					
APVD W.J. KE 19DEC2006					
PRODUCT SPEC 108-57175 QUALIFICATION TEST REPORT 501-57195					
DIMENSIONS: MM	TOLERANCES UNLESS OTHERWISE SPECIFIED: 0 PLC ± 0.5 1 PLC ± 0.25 2 PLC ± 0.15 3 PLC ± 0.05 4 PLC ANGLES ± - 3'				
MATERIAL SEE NOTE	FINISH SEE NOTE				
CUSTOMER DRAWING		SIZE A3	CAGE CODE 00779	DRAWING NO G=1470224	RESTRICTED TO -
		SCALE -	SHEET 1 OF 2	REV E1	

THIS DRAWING IS UNPUBLISHED.

RELEASED FOR PUBLICATION

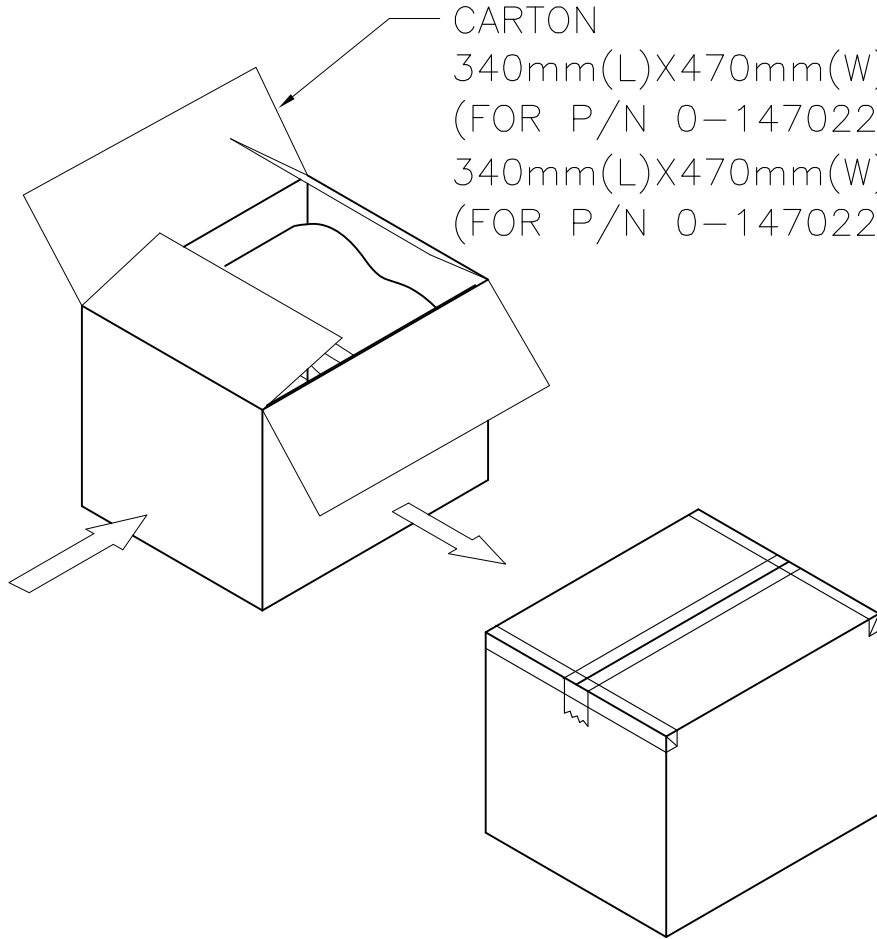
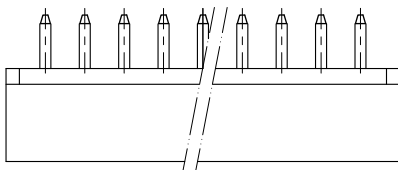
-. - .

© COPYRIGHT BY TYCO ELECTRONICS CORPORATION. ALL RIGHTS RESERVED.

LOC DW	DIST -	REVISIONS		
P	LTR	DESCRIPTION	DATE	DWN APVD
		SEE SHEET 1.		

CARTON
 340mm(L)X470mm(W)X158mm(H)
 (FOR P/N 0-1470224-2~0-1470224-5)
 340mm(L)X470mm(W)X316mm(H)
 (FOR P/N 0-1470224-6~1-1470224-5)

POLY BAG



APQ (PCS/CARTON)	PPQ (PCS/BAG)	△ OBSOLETE	
12,960	180	3-1470224-5	1-1470224-5
12,000	200	3-1470224-4	1-1470224-4
14,400	200	3-1470224-3	1-1470224-3
16,000	250	3-1470224-2	1-1470224-2
16,000	250	3-1470224-1	1-1470224-1
20,000	250	3-1470224-0	1-1470224-0
21,600	300	2-1470224-9	0-1470224-9
25,200	350	2-1470224-8	0-1470224-8
28,000	350	2-1470224-7	0-1470224-7
35,000	350	2-1470224-6	0-1470224-6
20,000	500	2-1470224-5	0-1470224-5
24,000	600	2-1470224-4	0-1470224-4
30,000	750	2-1470224-3	0-1470224-3
36,000	1000	2-1470224-2	0-1470224-2
		PART NUMBER	

THIS DRAWING IS A CONTROLLED DOCUMENT.

DWN O. HU 19DEC2006	 TE Connectivity 2.5mm PITCH EMIX POST HEADER, VERTICAL TYP			
CHK S. HOU 19DEC2006				
APVD W.J. KE 19DEC2006				
PRODUCT SPEC -				
APPLICATION SPEC -	NAME			
WEIGHT -	SIZE A3	CAGE CODE 00779	DRAWING NO C=1470224	RESTRICTED TO -
CUSTOMER DRAWING	SCALE -	SHEET 2 OF 2	REV E1	

X-ON Electronics

Largest Supplier of Electrical and Electronic Components

Click to view similar products for [Headers & Wire Housings](#) category:

Click to view products by [TE Connectivity](#) manufacturer:

Other Similar products are found below :

[95000-104TRLF](#) [10135584-644402LF](#) [DF62W-EP2022PCA](#) [95000-106TRLF](#) [DF62W-2022SCA](#) [DF62W-EP2022PC](#) [2203348](#) [DF62W-2022SC](#) [1084018](#) [1029039](#) [1084017](#) [802-10-012-10-002000](#) [1112640](#) [1112639](#) [000-34000](#) [0009482033](#) [0009507031](#) [57102-S06-03LF](#) [57202-S52-04LF](#) [PCN6-15S-2.5E](#) [0039019024](#) [58102-G61-06LF](#) [582553-1](#) [0009508121](#) [0050291907](#) [018731A](#) [LY20-4P-DT1-P1E-BR](#) [02.125.8002.8](#) [60101931](#) [60598-1 \(Cut Strip\)](#) [M1625-3R/100](#) [61062-3](#) [61082-181009](#) [636-1427](#) [638009-1](#) [641938-9](#) [641991-4](#) [644168-1](#) [647662-1](#) [65039-019ELF](#) [65817-002LF](#) [65817-015LF](#) [65863-015LF](#) [66207-023LF](#) [67016-026LF](#) [67046-001LF](#) [67095-007LF](#) [68002-116](#) [68016-236H](#) [68648-049](#)