

4

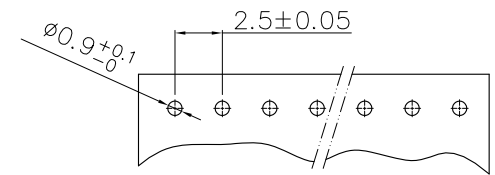
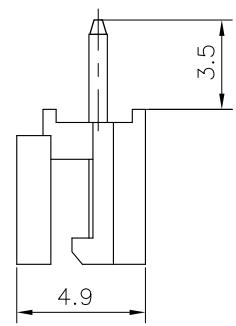
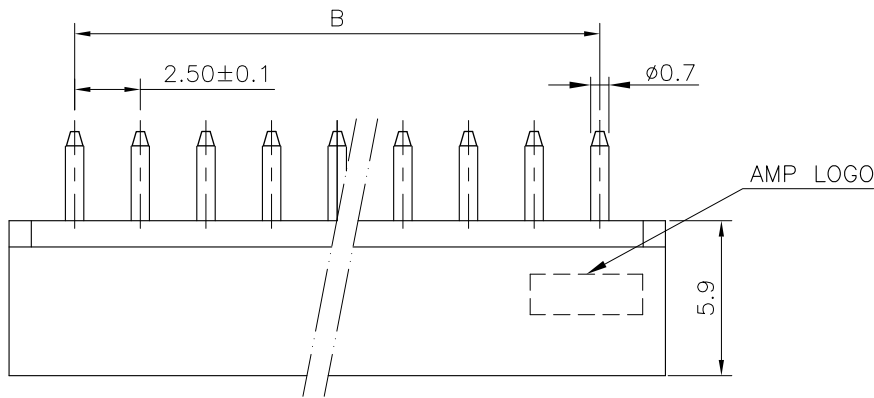
3

2

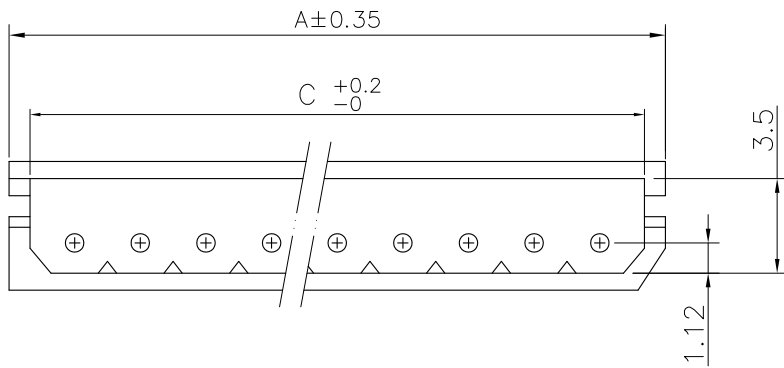
1

THIS DRAWING IS UNPUBLISHED. RELEASED FOR PUBLICATION
© COPYRIGHT BY TYCO ELECTRONICS CORPORATION. ALL RIGHTS RESERVED.

LOC	DIST	REVISIONS			
P	LTR	DESCRIPTION	DATE	DWN	APVD
DW	-	E1	REVISED	20JUN16	JJ WH



RECOMMENDED PCB LAYOUT (THICKNESS: 1.6MM)
(TOP VIEW) (TOLERANCE: ±0.05)



HSG. COLOR	C	B	A	POS.	PART NUMBER
35.9	32.50 ±0.20	37.5	14	3-1470224-4	
33.4	30.00 ±0.20	35.0	13	3-1470224-3	
30.9	27.50 ±0.20	32.5	12	3-1470224-2	
28.4	25.00 ±0.20	30.0	11	3-1470224-1	
25.9	22.50 ±0.15	27.5	10	3-1470224-0	
23.4	20.00 ±0.15	25.0	9	2-1470224-9	
20.9	17.50 ±0.15	22.5	8	2-1470224-8	
18.4	15.00 ±0.15	20.0	7	2-1470224-7	
15.9	12.50 ±0.10	17.5	6	2-1470224-6	
13.4	10.00 ±0.10	15.0	5	2-1470224-5	
10.9	7.50 ±0.10	12.5	4	2-1470224-4	
8.4	5.00 ±0.10	10.0	3	2-1470224-3	
5.9	2.50 ±0.10	7.5	2	2-1470224-2	
38.4	35.00 ±0.20	40.0	15	1-1470224-5	
35.9	32.50 ±0.20	37.5	14	1-1470224-4	
33.4	30.00 ±0.20	35.0	13	1-1470224-3	
30.9	27.50 ±0.20	32.5	12	1-1470224-2	
28.4	25.00 ±0.20	30.0	11	1-1470224-1	
25.9	22.50 ±0.15	27.5	10	1-1470224-0	
23.4	20.00 ±0.15	25.0	9	0-1470224-9	
20.9	17.50 ±0.15	22.5	8	0-1470224-8	
18.4	15.00 ±0.15	20.0	7	0-1470224-7	
15.9	12.50 ±0.10	17.5	6	0-1470224-6	
13.4	10.00 ±0.10	15.0	5	0-1470224-5	
10.9	7.50 ±0.10	12.5	4	0-1470224-4	
8.4	5.00 ±0.10	10.0	3	0-1470224-3	
5.9	2.50 ±0.10	7.5	2	0-1470224-2	

OBSOLETE

BLUE

IVORY

- NOTE:
- MATERIAL:
HOUSING: PA66, UL 94V-2, COLOR: SEE TABLE.
CONTACTS: BRASS.
 - FINISH:
CONTACTS: 1.27µm [50µ"] MIN. BRIGHT-TIN ON SOLDER TAIL, WITH ENTIRE CONTACT UNDERPLATED 0.381µm [15µ"] MIN. NICKEL.
 - WAVE SOLDER CAPABLE TO 240°C PER TE CONNECTIVITY TEST SPEC. 109-202, CONDITION A.
- ⚠ OBSOLETE PARTS: OBSOLETE CIS STREAMLINING PER D.RENAUD/D.SINISI

THIS DRAWING IS A CONTROLLED DOCUMENT.

DWN O. HU 19DEC2006	TE Connectivity 2.5mm PITCH EMIX POST HEADER, VERTICAL TYP				
CHK S. HOU 19DEC2006					
APVD W.J. KE 19DEC2006					
PRODUCT SPEC 108-57175 QUALIFICATION TEST REPORT 501-57195					
DIMENSIONS: MM	TOLERANCES UNLESS OTHERWISE SPECIFIED: 0 PLC ± 0.5 1 PLC ± 0.25 2 PLC ± 0.15 3 PLC ± 0.05 4 PLC ANGLES ± - 3'				
MATERIAL SEE NOTE	FINISH SEE NOTE				
CUSTOMER DRAWING		SIZE A3	CAGE CODE 00779	DRAWING NO C=1470224	RESTRICTED TO -
SCALE -		SHEET 1 OF 2	REV E1		

THIS DRAWING IS UNPUBLISHED.

RELEASED FOR PUBLICATION

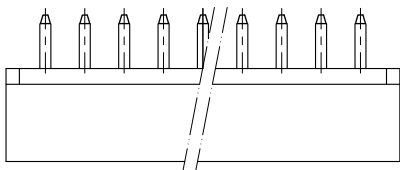
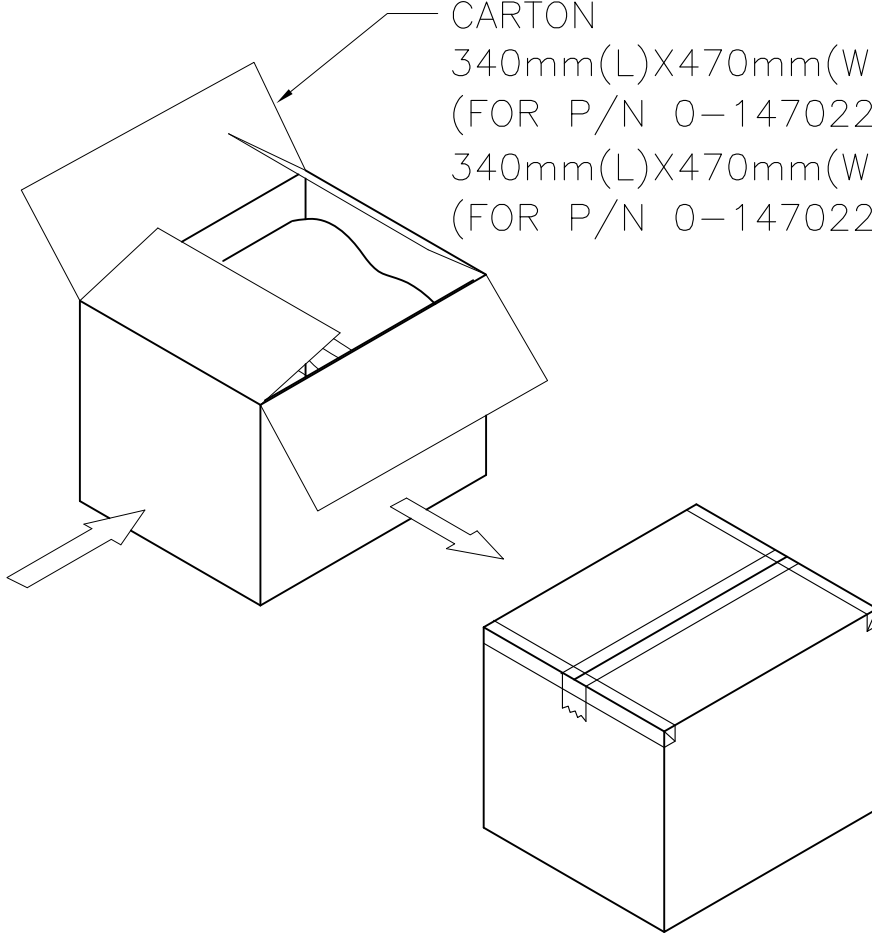
-. - .

© COPYRIGHT BY TYCO ELECTRONICS CORPORATION. ALL RIGHTS RESERVED.

LOC	DIST	REVISIONS					
DW	-	P	LTR	DESCRIPTION	DATE	DWN	APVD
		SEE SHEET 1.					

CARTON
 340mm(L)X470mm(W)X158mm(H)
 (FOR P/N 0-1470224-2~0-1470224-5)
 340mm(L)X470mm(W)X316mm(H)
 (FOR P/N 0-1470224-6~1-1470224-5)

POLY BAG



APQ (PCS/CARTON)	PPQ (PCS/BAG)	PART NUMBER	
12,960	180	3-1470224-5	1-1470224-5
12,000	200	3-1470224-4	1-1470224-4
14,400	200	3-1470224-3	1-1470224-3
16,000	250	3-1470224-2	1-1470224-2
16,000	250	3-1470224-1	1-1470224-1
20,000	250	3-1470224-0	1-1470224-0
21,600	300	2-1470224-9	0-1470224-9
25,200	350	2-1470224-8	0-1470224-8
28,000	350	2-1470224-7	0-1470224-7
35,000	350	2-1470224-6	0-1470224-6
20,000	500	2-1470224-5	0-1470224-5
24,000	600	2-1470224-4	0-1470224-4
30,000	750	2-1470224-3	0-1470224-3
36,000	1000	2-1470224-2	0-1470224-2

THIS DRAWING IS A CONTROLLED DOCUMENT.		DWN O. HU 19DEC2006	TE Connectivity	
DIMENSIONS: MM		CHK S. HOU 19DEC2006		
TOLERANCES UNLESS OTHERWISE SPECIFIED:		APVD W.J. KE 19DEC2006	NAME	
0 PLC ± - 1 PLC ± - 2 PLC ± - 3 PLC ± - 4 PLC ± - ANGLES ± -		PRODUCT SPEC	2.5mm PITCH EMIX POST HEADER, VERTICAL TYP	
MATERIAL		APPLICATION SPEC	SIZE	RESTRICTED TO
FINISH		WEIGHT	A3 00779	—
		CUSTOMER DRAWING	C=1470224	
		SCALE	SHEET	REV
		—	2 OF 2	E1

X-ON Electronics

Largest Supplier of Electrical and Electronic Components

Click to view similar products for [Headers & Wire Housings](#) category:

Click to view products by [TE Connectivity](#) manufacturer:

Other Similar products are found below :

[892-18-020-10-001101](#) [58102-G61-06LF](#) [582553-1](#) [0009485154](#) [009176003701906](#) [0050291907](#) [LY20-4P-DT1-P1E-BR](#) [02.125.8002.8](#)
[609-3404](#) [61062-3](#) [61082-181009](#) [622-3653LF](#) [63453-116](#) [636-1030](#) [636-1427](#) [636-3427](#) [636-4007](#) [641938-9](#) [641991-4](#) [644827-2](#) [65817-010LF](#) [65817-015LF](#) [65863-015LF](#) [66207-023LF](#) [67095-007LF](#) [67601157](#) [68645-018](#) [68648-049](#) [70.362.1628.0](#) [70-4210](#) [70-4226B](#) [70-4853B](#) [707-5020](#) [707-5028](#) [71.350.2428.0](#) [71918-208LF](#) [71961-016LF](#) [733-134](#) [733-162](#) [754199-000](#) [760-3052](#) [787-8014-00](#) [79531-3000](#)
[FCN-360C032-B](#) [FCN-367T-T012/H](#) [FCN-723D010/2](#) [80.063.4001.1](#) [800-90-001-10-001000](#) [800-90-010-10-002000](#) [801-43-002-10-013000](#)