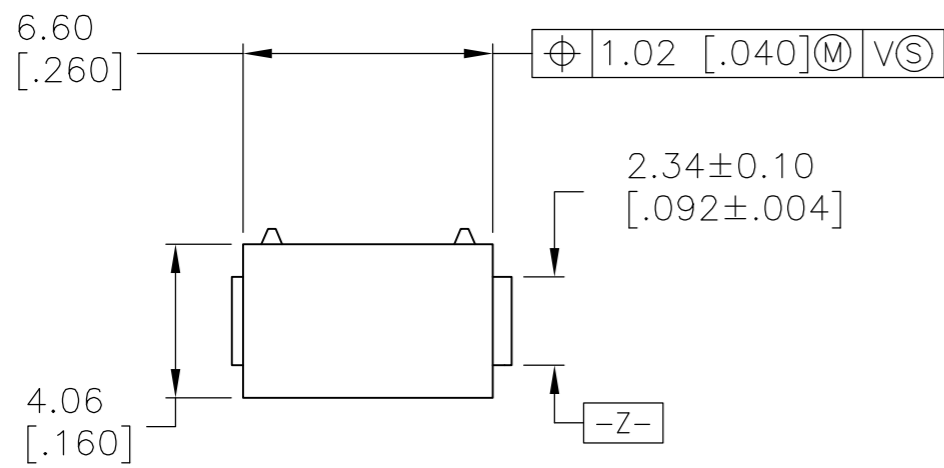
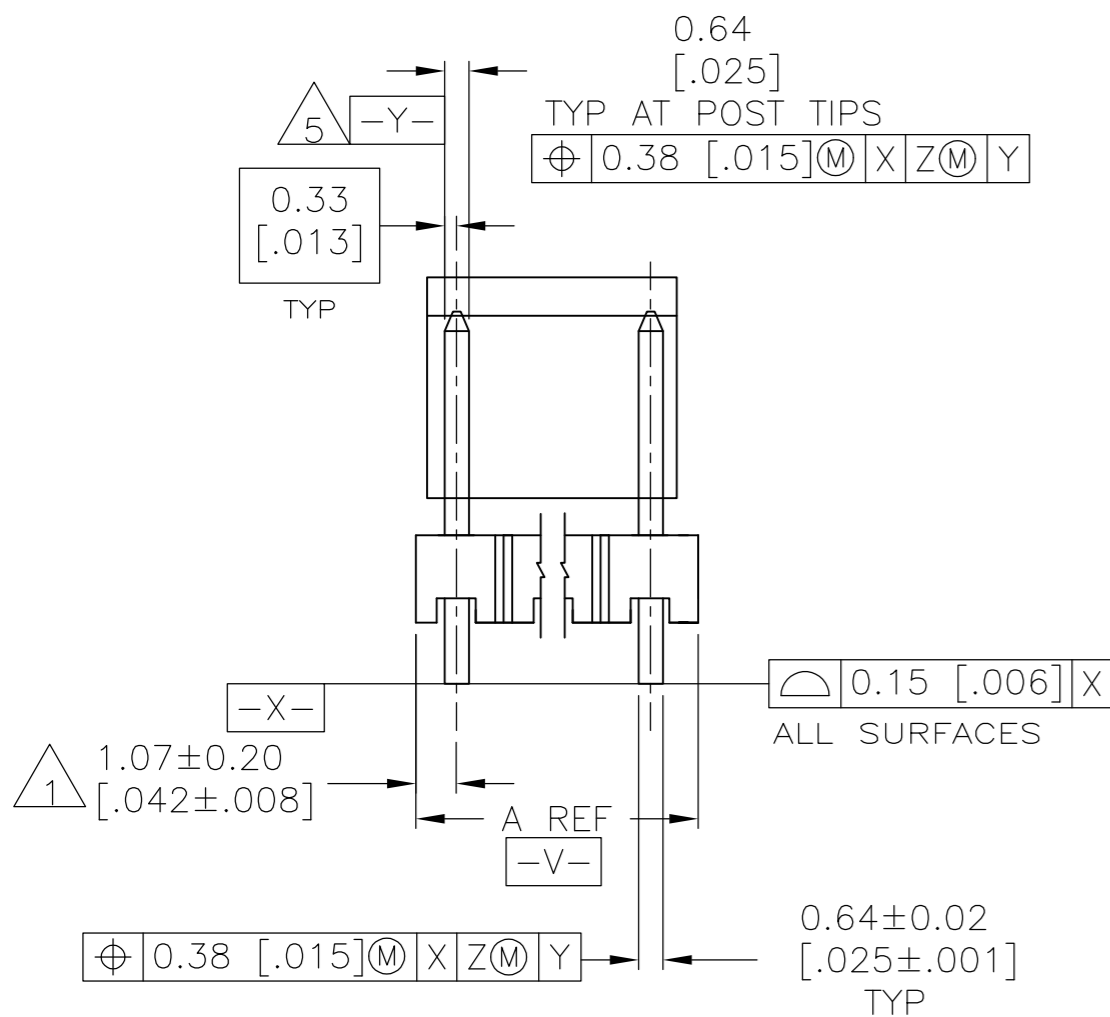


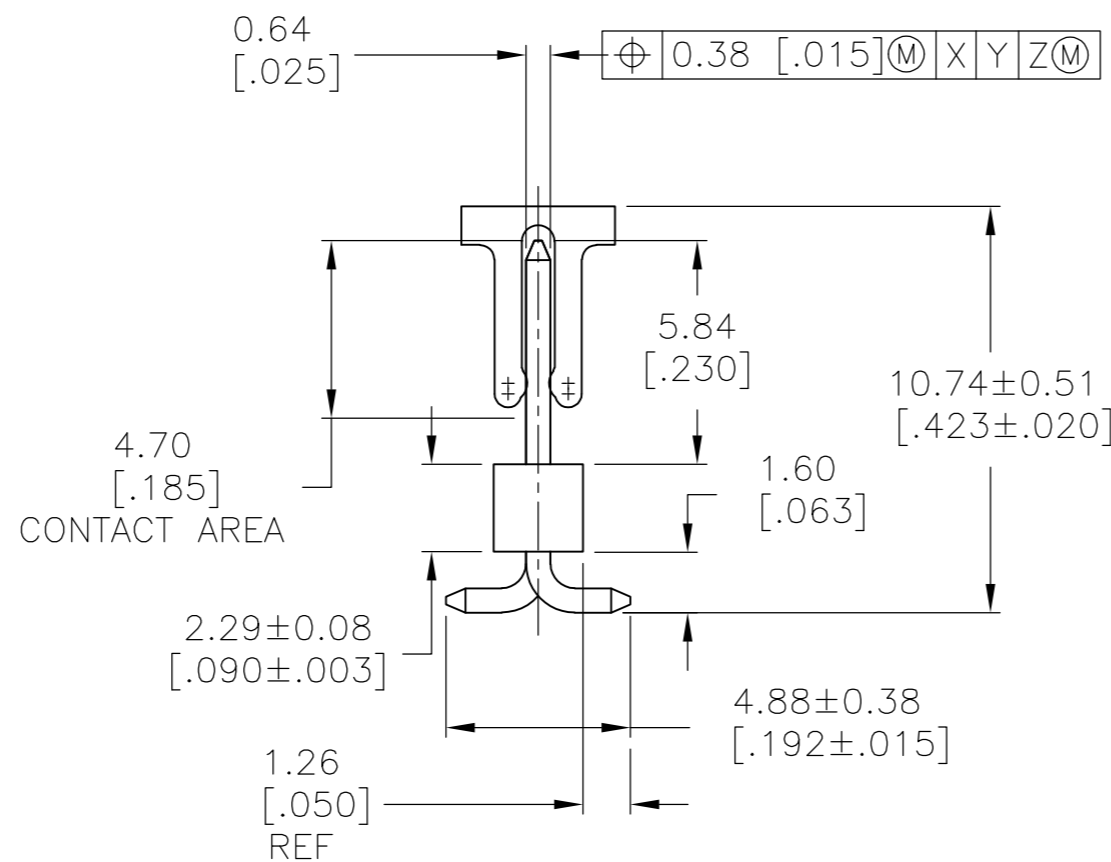
REVISIONS					
P	LTR	DESCRIPTION	DATE	DWN	APVD
G9		REVISED PER ECO-16-013460	21SEP2016	NK	MM



2.34±0.10
[.092±.004]



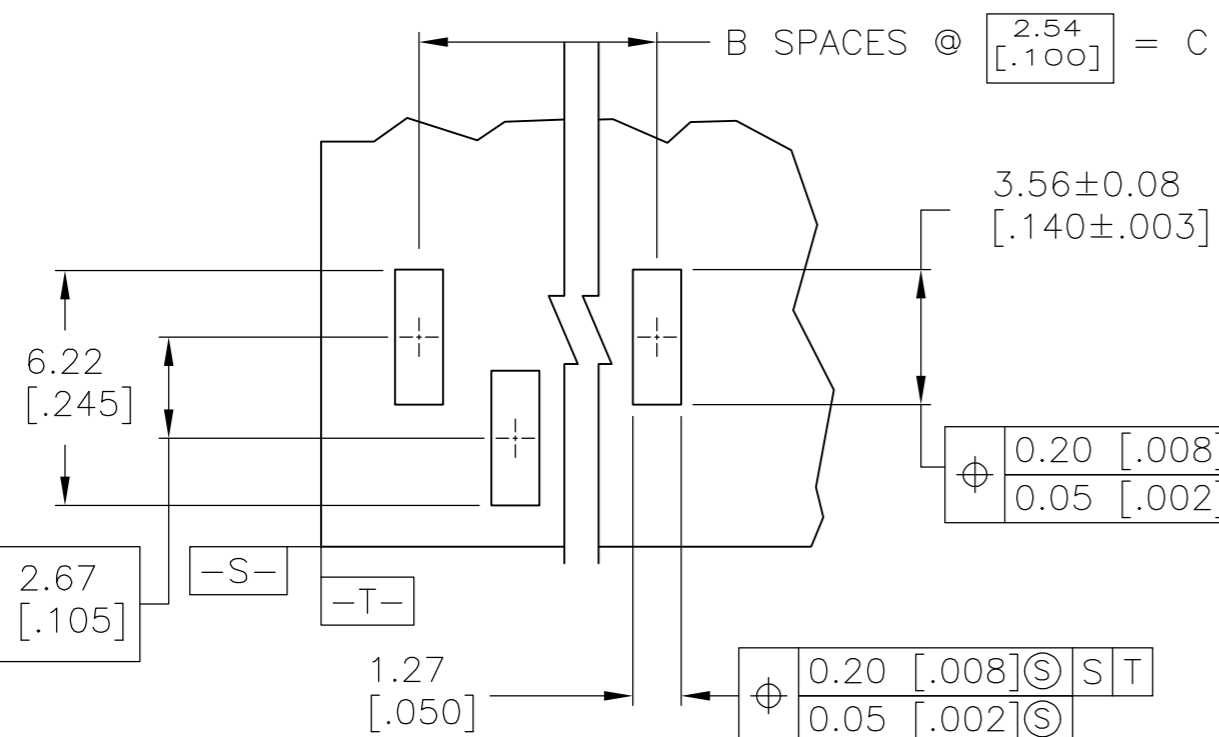
0.64 [.025]
TYP AT POST TIPS
⊕ 0.38 [.015] M X Z M Y



1.07±0.20
[.042±.008]

0.15 [.006] X
ALL SURFACES

0.64±0.02
[.025±.001] TYP



B SPACES @ 2.54 [.100] = C

3.56±0.08
[.140±.003]

⊕ 0.20 [.008] S T
0.05 [.002]

⊕ 0.20 [.008] S T
0.05 [.002]

RECOMMENDED PCB LAYOUT
FOR USE WITH 0.20 [.008] THICK STENCIL

- 1 THE NOTED DIMENSIONS APPLY AT THE INTERSECTION OF THE POST AND THE HOUSING.
- 2 0.000762 [.000030] GOLD ON CONTACT AREA, 0.00254-0.00508 [.000100-.000200] MATTE TIN-LEAD ON SOLDER TAIL, ALL OVER 0.00127 [.000050] NICKEL.
- 3 HOUSING: LCP, COLOR-BLACK.
POST: COPPER ALLOY.
PICK AND PLACE CAP: PPA, COLOR-BLACK.
- 4 PACKAGED IN TAPE AND REEL PER EIA-481 SPECIFICATIONS.
SEE TABLE FOR TAPE WIDTHS.
- 5 DATUM -Y- SHALL BE THE INTERSECTION OF THE POST AND THE HOUSING.
- 6 PRELIMINARY PART - NOT RELEASED FOR PRODUCTION.
- 7 0.000762 [.000030] GOLD ON CONTACT AREA, 0.00254-0.00508 [.000100-.000200] MATTE TIN ON SOLDER TAIL, ALL OVER 0.00127 [.000050] NICKEL.

6	7	56 mm	35.56 [1.400]	14	37.69 [1.484]	15	6-147118-3
6	7	56 mm	33.02 [1.300]	13	35.15 [1.384]	14	6-147118-2
6	7	56 mm	30.48 [1.200]	12	32.61 [1.284]	13	6-147118-1
6	7	56 mm	27.94 [1.100]	11	30.07 [1.184]	12	6-147118-0
6	7	56 mm	25.4 [1.000]	10	27.53 [1.084]	11	5-147118-9
6	7	56 mm	22.86 [.900]	9	24.99 [.984]	10	5-147118-8
6	7	44 mm	20.32 [.800]	8	22.45 [.884]	9	5-147118-7
6	7	44 mm	15.24 [.600]	6	17.37 [.684]	7	5-147118-6
6	7	32 mm	12.70 [.500]	5	14.83 [.584]	6	5-147118-5
	7	32 mm	10.16 [.400]	4	12.29 [.484]	5	5-147118-4
	7	24 mm	7.62 [.300]	3	9.75 [.384]	4	5-147118-3
	7	44 mm	17.78 [.700]	7	19.91 [.784]	8	5-147118-2
	7	24 mm	5.08 [.200]	2	7.21 [.284]	3	5-147118-1
OBSOLETE		32 mm	10.16 [.400]	4	12.29 [.484]	5	147118-5
6	2	32 mm	12.70 [.500]	5	14.83 [.584]	6	147118-4
	2	24 mm	7.62 [.300]	3	9.75 [.384]	4	147118-3
	2	44 mm	17.78 [.700]	7	19.91 [.784]	8	147118-2
	2	24 mm	5.08 [.200]	2	7.21 [.284]	3	147118-1
PLATING	TAPE WIDTH	C	B	A	NO OF POSN	PART NUMBER	

THIS DRAWING IS A CONTROLLED DOCUMENT.

DWN B. HAYMAKER 23JAN02
 CHK J. GESFORD 02DEC98
 APVD J. GESFORD 02DEC98
 PRODUCT SPEC
 APPLICATION SPEC

TE Connectivity

S/M HEADER ASSEMBLY, MOD II, B/W, VERTICAL, SINGLE ROW, .100 C/L, .025 SQ POST, WITH PICK AND PLACE CAP

SIZE A2 CAGE CODE - DRAWING NO C=147118 RESTRICTED TO -
 WEIGHT 0 SCALE 5:1 SHEET 1 OF 1 REV G9
 CUSTOMER DRAWING

DIMENSIONS: mm [INCHES]
 TOLERANCES UNLESS OTHERWISE SPECIFIED:
 0 PLC ± -
 1 PLC ± -
 2 PLC ± -
 3 PLC ± 0.13 [.005]
 4 PLC ± -
 ANGLES ± -

MATERIAL 3 FINISH SEE TABLE

X-ON Electronics

Largest Supplier of Electrical and Electronic Components

Click to view similar products for [Headers & Wire Housings](#) category:

Click to view products by [TE Connectivity](#) manufacturer:

Other Similar products are found below :

[95000-104TRLF](#) [10135584-644402LF](#) [DF62W-EP2022PCA](#) [95000-106TRLF](#) [DF62W-2022SCA](#) [DF62W-EP2022PC](#) [2203348](#) [DF62W-2022SC](#) [1084018](#) [1029039](#) [1084017](#) [802-10-012-10-002000](#) [1112640](#) [1112639](#) [000-34000](#) [0009482033](#) [0009507031](#) [57102-S06-03LF](#) [57202-S52-04LF](#) [PCN6-15S-2.5E](#) [0039019024](#) [58102-G61-06LF](#) [582553-1](#) [0009508121](#) [0050291907](#) [018731A](#) [LY20-4P-DT1-P1E-BR](#) [02.125.8002.8](#) [60101931](#) [60598-1 \(Cut Strip\)](#) [M1625-3R/100](#) [61062-3](#) [61082-181009](#) [636-1427](#) [638009-1](#) [641938-9](#) [641991-4](#) [644168-1](#) [647662-1](#) [65039-019ELF](#) [65817-002LF](#) [65817-015LF](#) [65863-015LF](#) [66207-023LF](#) [67016-026LF](#) [67046-001LF](#) [67095-007LF](#) [68002-116](#) [68016-236H](#) [68648-049](#)