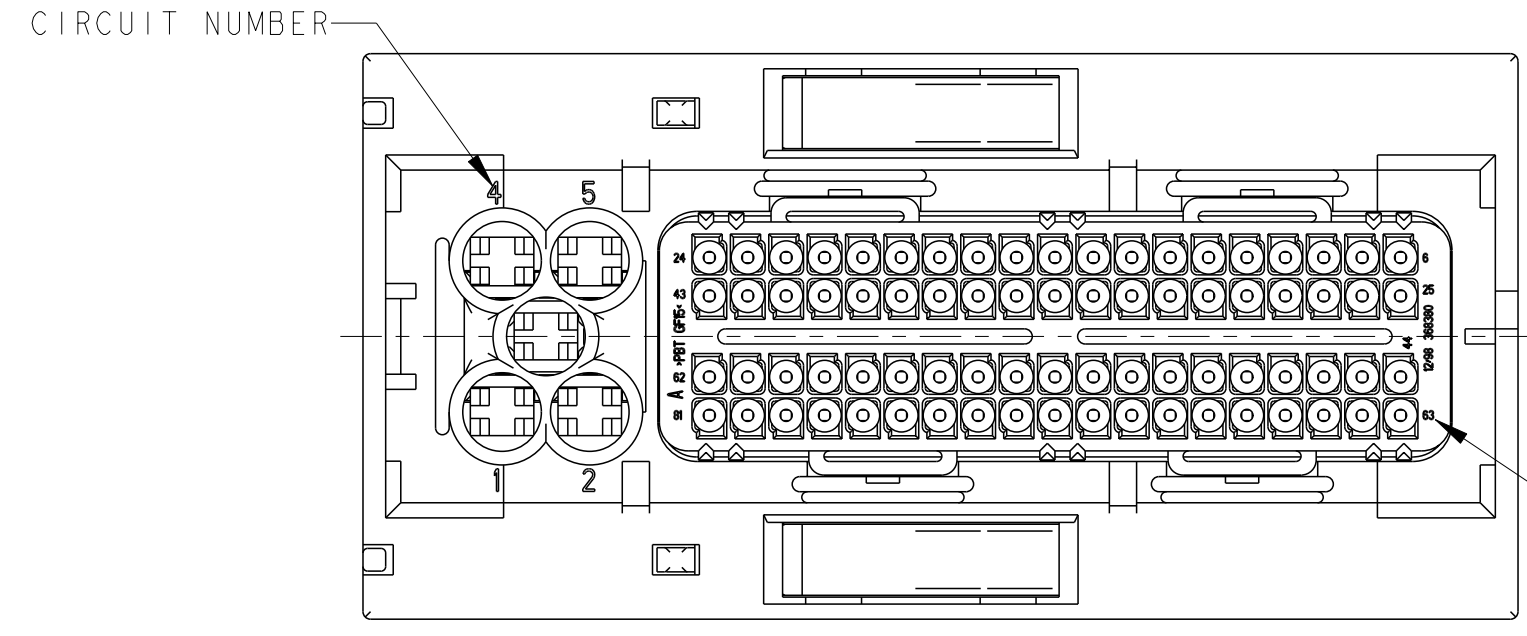
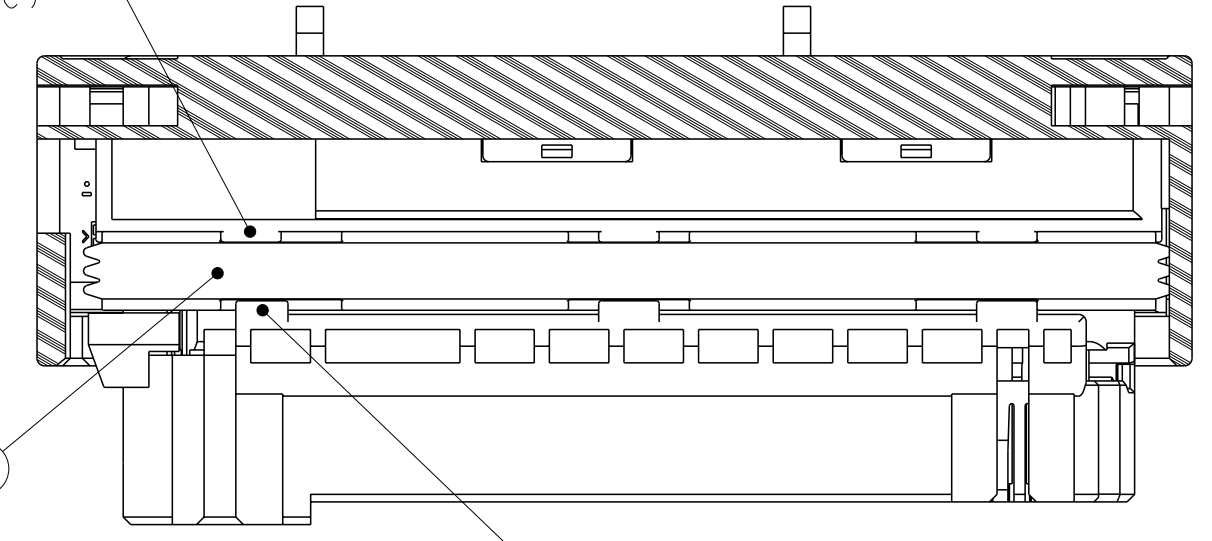


THIS DRAWING IS UNPUBLISHED. RELEASED FOR PUBLICATION 20
 © COPYRIGHT 20 ALL RIGHTS RESERVED.

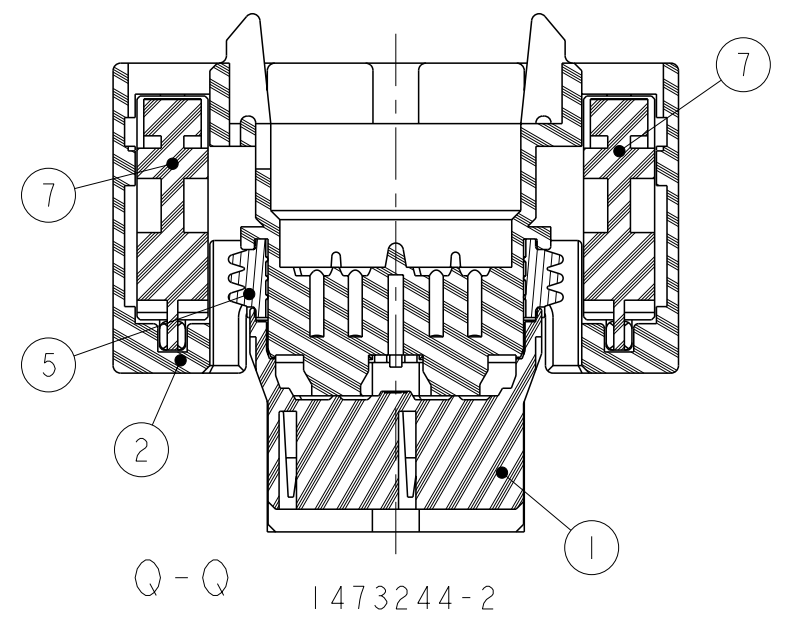
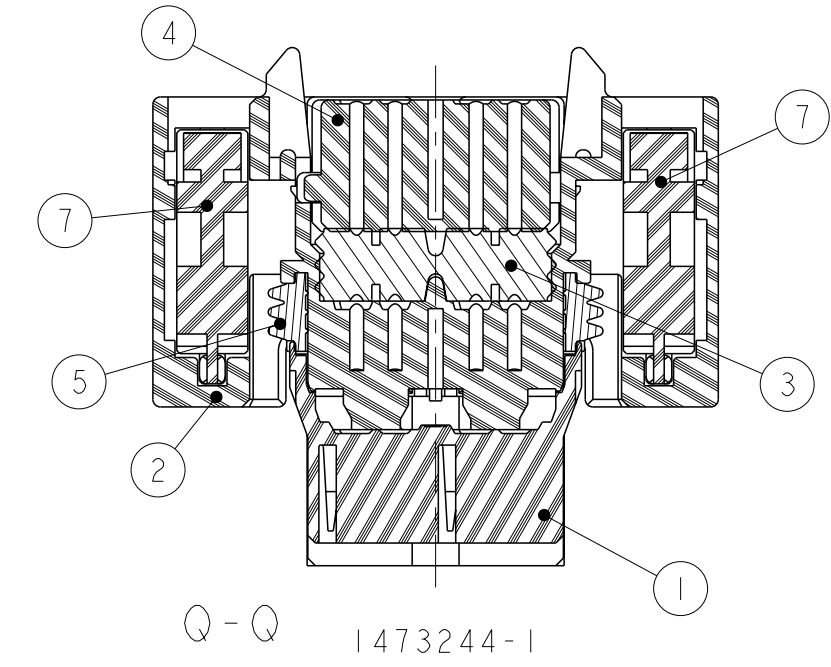
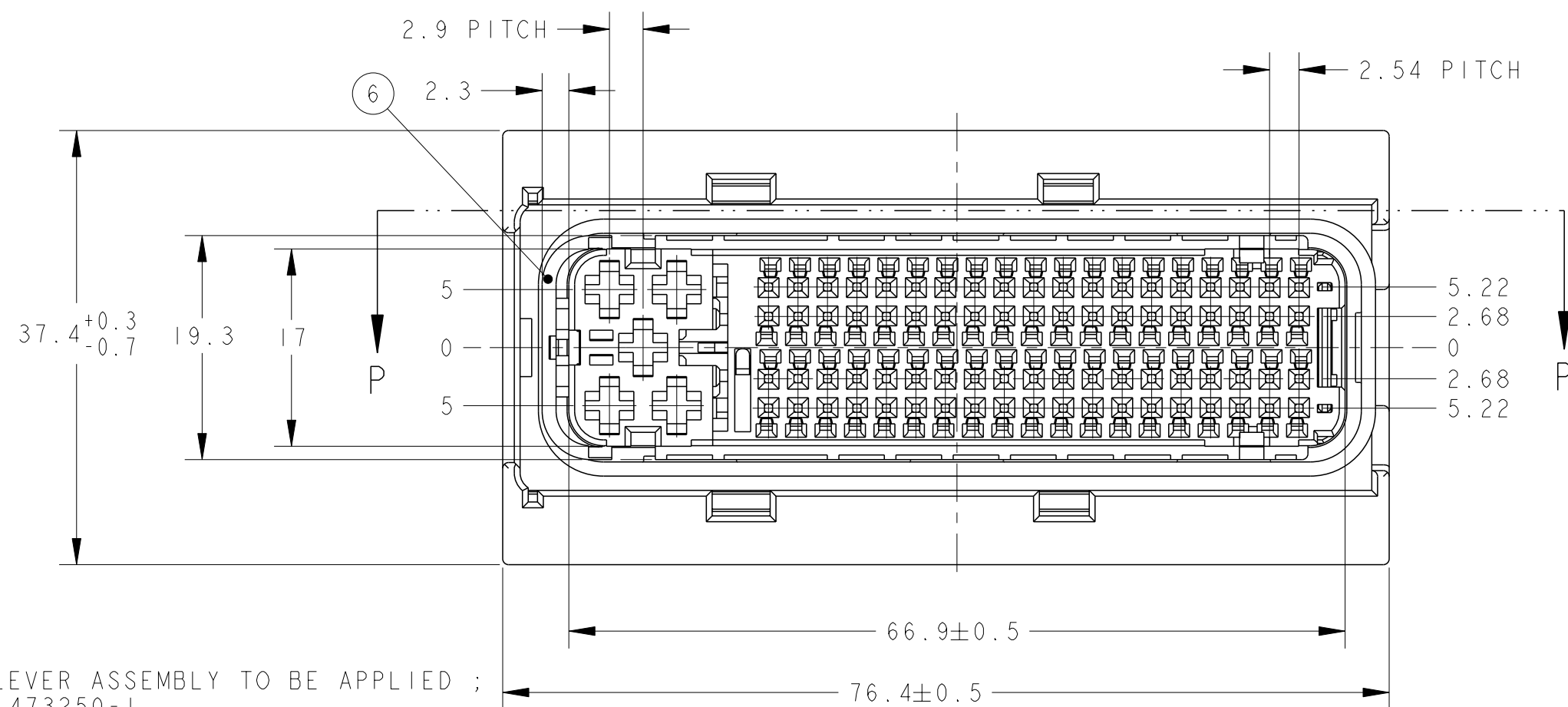
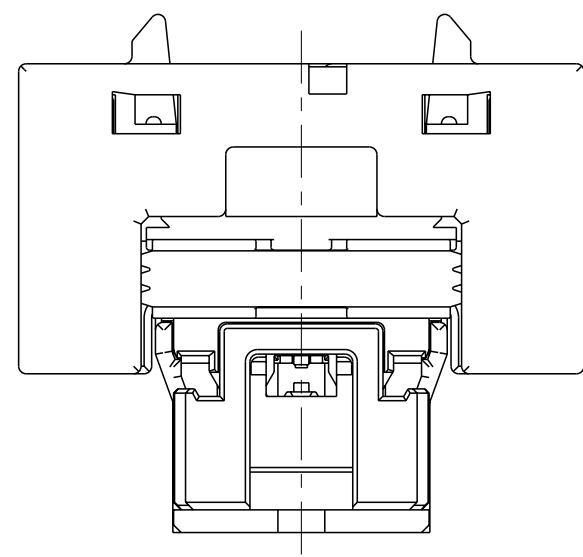
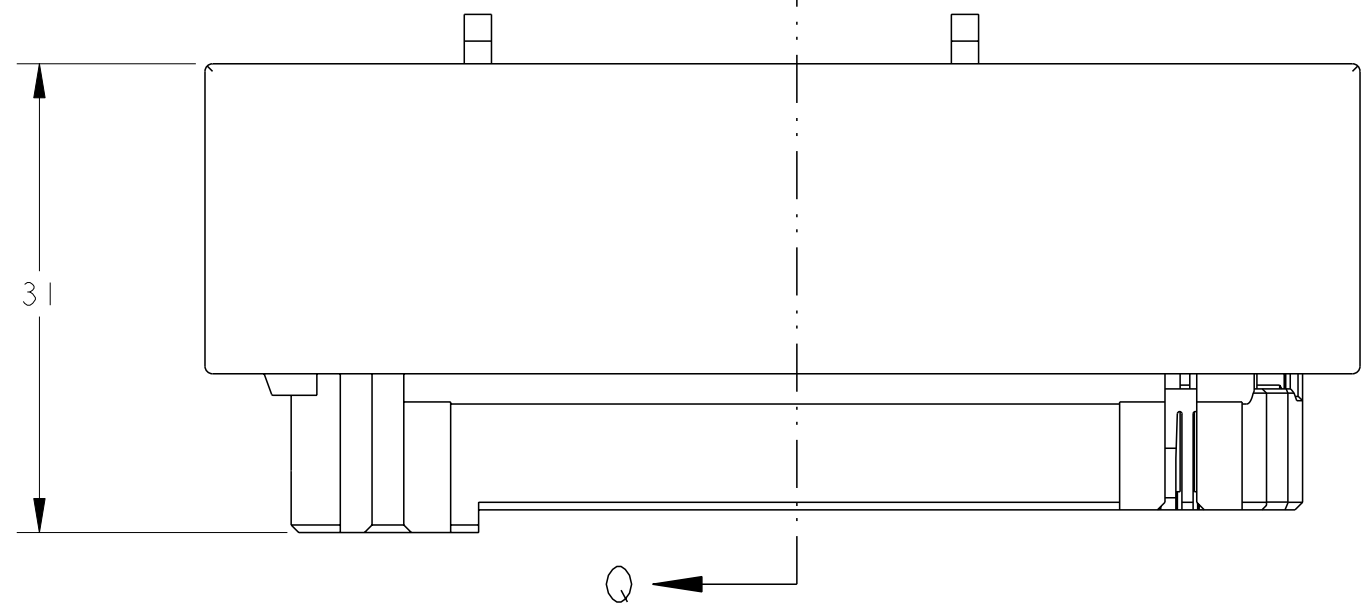
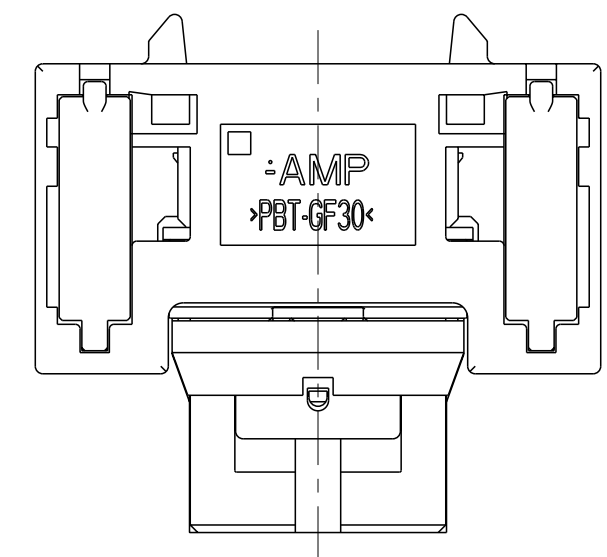
REVISONS						
REV	DESCRIPTION	ECN	DATE	DWN	APVD	
B4	REVISED PER ECO-11-005140		05APR2011	RK	HMR	
B5	REVISED	ECR-18-012136	31JUL2018	TS	HY	



BOSS OF MAIN CAVITY BLOCK.
IT HOLD A PERIPHERAL SEAL.
(8PLC)



BOSS OF FRONT CAVITY BLOCK.
IT HOLD A PERIPHERAL SEAL.
(6PLC)



- PART NUMBER OF LEVER ASSEMBLY TO BE APPLIED ; P/N 1473247-1, 1473250-1
- PART NUMBER OF MQS RETAINER TO BE APPLIED ; P/N 368382-1
- APPLIED TERMINAL ; SEE TABLE-1
- PART NUMBER OF CAP HOUSING TO BE MATED ; P/N 1241434-1
- INSTRUCTION SHEET NO ; 411-78008

- 適用レバーアッセンブリ型番は、P/N 1473247-1, 1473250-1
- 適用MQSリテーナ型番は、P/N 368382-1
- 適用端子はTABLE-1参照
- 嵌合相手型番は、P/N 1241434-1
- 取扱説明書 NO ; 411-78008

TABLE-1

CONTACT	MQS		JPT		
PART NUMBER	968220-1	968221-1	964282-2	964286-2	964273-2
WIRE SIZE (mm ²)	0.5	0.75	0.2~0.5	0.5~1.0	>1.0~2.5

SEE DRAWING 1473244-3	2	2	PA66	SLIDER	BLACK	7
	1	1	PBT	JPT RETAINER	YELLOW	6
	1	1	SILICONE	PERIPHERAL SEAL	ORANGE	5
	-	1	PBT	SEAL RETAINER	BLACK	4
	-	1	SILICONE	76POS FAMILY SEAL	ORANGE	3
	1	1	PBT	MAIN CAVITY BLOCK	BLACK	2
	1	1	PA66	FRONT CAVITY BLOCK	BLACK	1
	-3	-2	-1	MATERIAL	PART NAME	FINISH/COLOR NO

THIS DRAWING IS A CONTROLLED DOCUMENT.

DWN: Y. KAWAHARA 10OCT2001
 CHK: N. SAI 10OCT2001
 APVD: K. SHIMIZU 10OCT2001

PRODUCT SPEC: 108-5793
 APPLICATION SPEC: 114-18021, 114-18050

WEIGHT: 46.5g

CUSTOMER DRAWING

SCALE: 2:1 SHEET 1 OF 1 REV B5

NAME: PLUG HOUSING ASSY SEALED 81POS. PLUG HSG MQS CLEAN BODY/JPT

SIZE: A2 CAGE CODE: 00779 DRAWING NO: 1473244

X-ON Electronics

Largest Supplier of Electrical and Electronic Components

Click to view similar products for [Automotive Connectors](#) category:

Click to view products by [TE Connectivity](#) manufacturer:

Other Similar products are found below :

[003-018-000](#) [60403001](#) [60993906-B](#) [M902-2131](#) [M902-2161](#) [72.330.1035.1](#) [73.353.4028.0](#) [F119300-B](#) [F166900](#) [F258300-B](#) [F358300-B](#)
[F407400](#) [F444110](#) [F487000](#) [F509500B-B](#) [827153-1](#) [8N1515-32-24P](#) [9-1326729-8](#) [925474-1](#) [928905-1](#) [964562-4](#) [968782-1](#) [GT17SA-8DS-](#)
[HU](#) [98891-1012](#) [98947-1016](#) [12004147](#) [12004475-L](#) [12010290](#) [12010309-B](#) [12015454](#) [12020219-B](#) [12020308](#) [12041318-B](#) [12052225-L](#)
[12052466](#) [12059125](#) [12064869](#) [12004327-B](#) [12010503-B](#) [12015308](#) [12015384](#) [12015909](#) [1-21030-1](#) [12041254](#) [12041318](#) [12047946-B](#)
[12047957](#) [12047957-L](#) [12059473](#) [12066261](#)