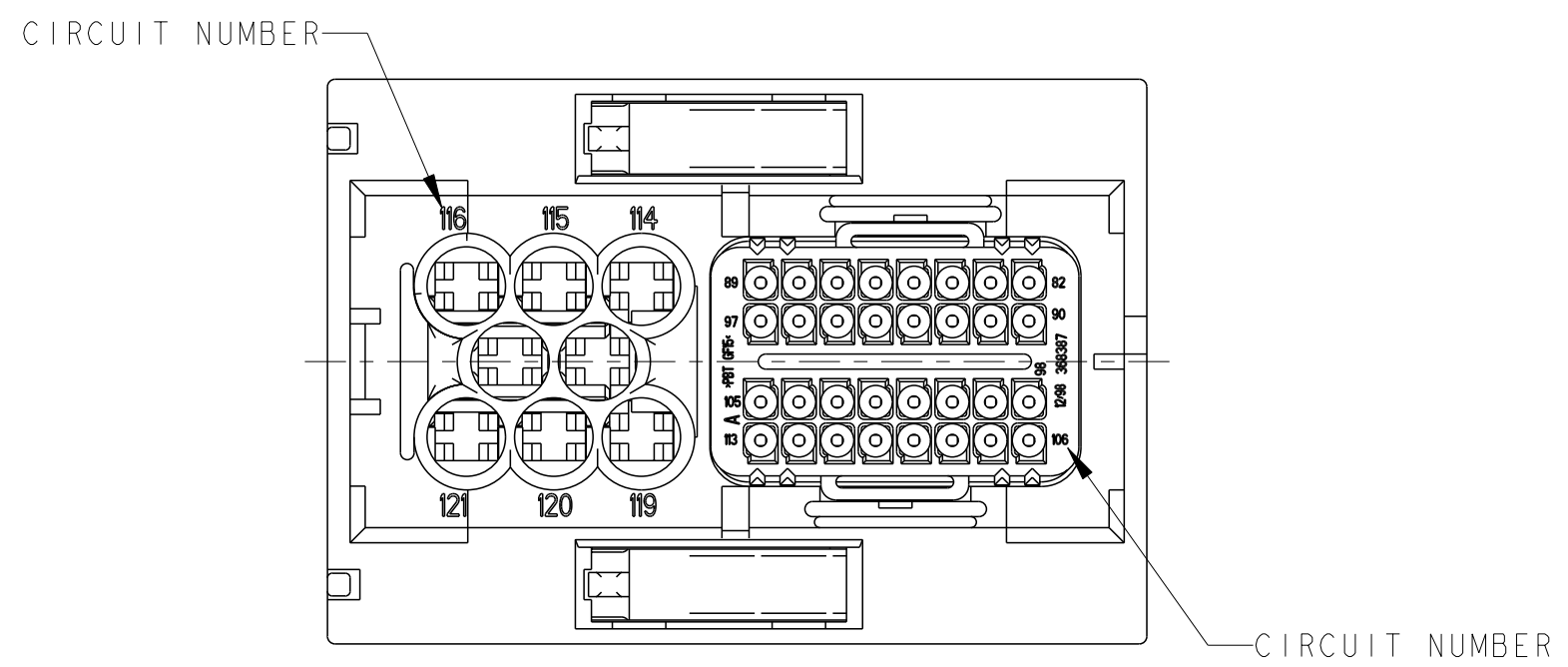
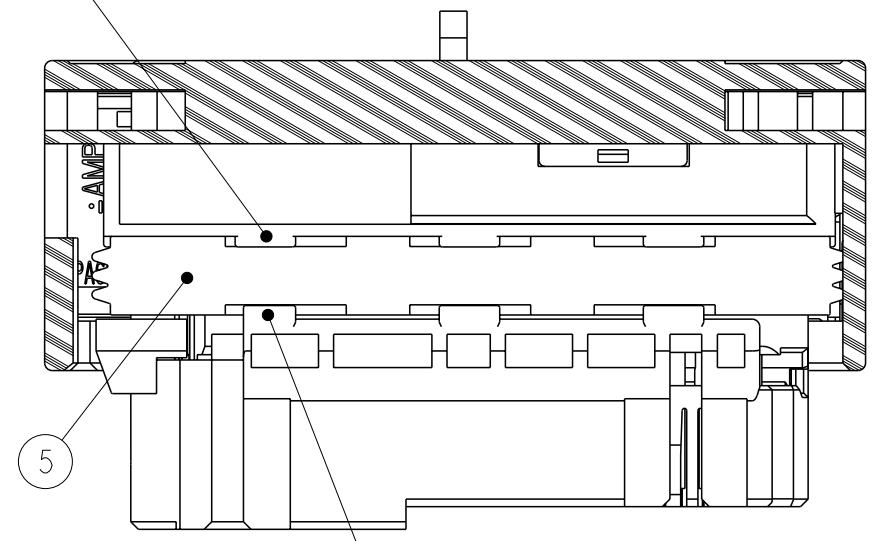


THIS DRAWING IS UNPUBLISHED. RELEASED FOR PUBLICATION 20  
 © COPYRIGHT 20 ALL RIGHTS RESERVED.

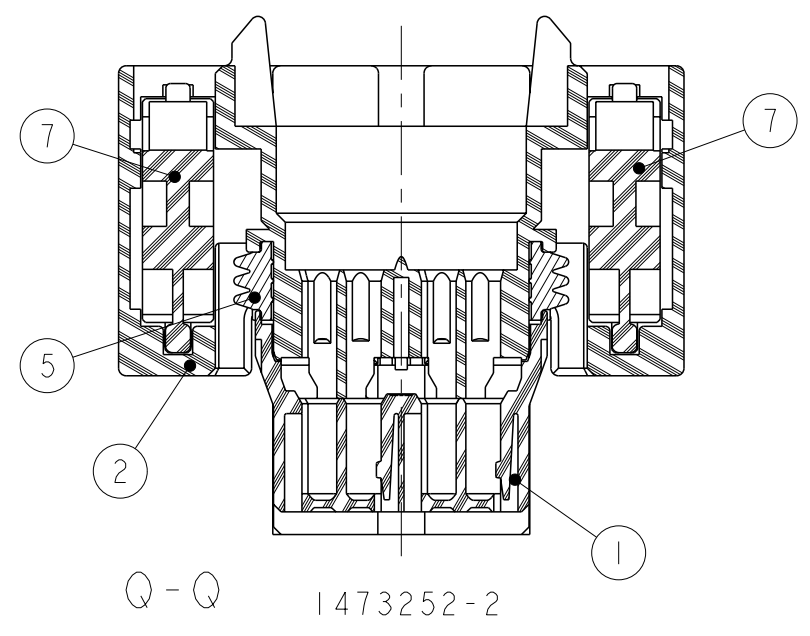
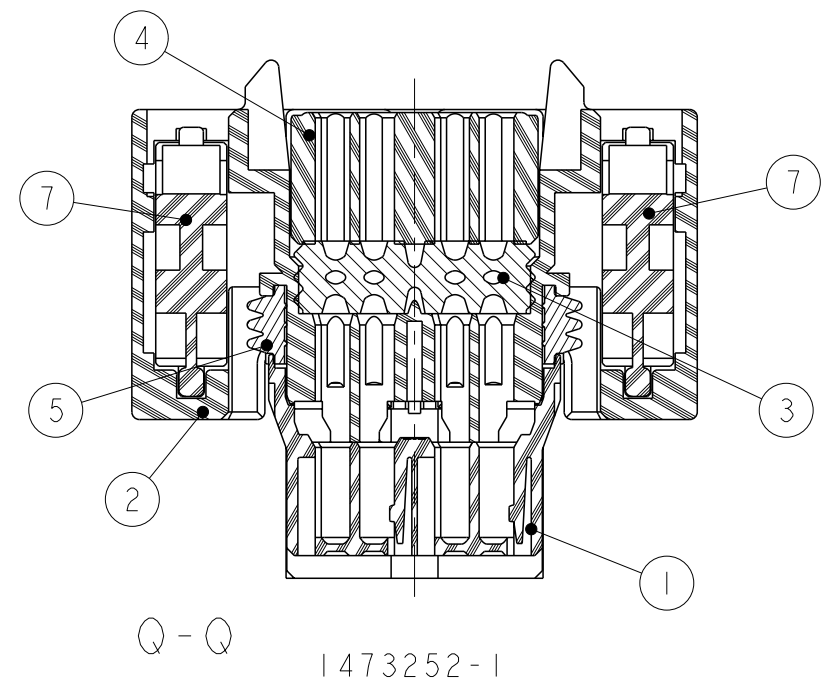
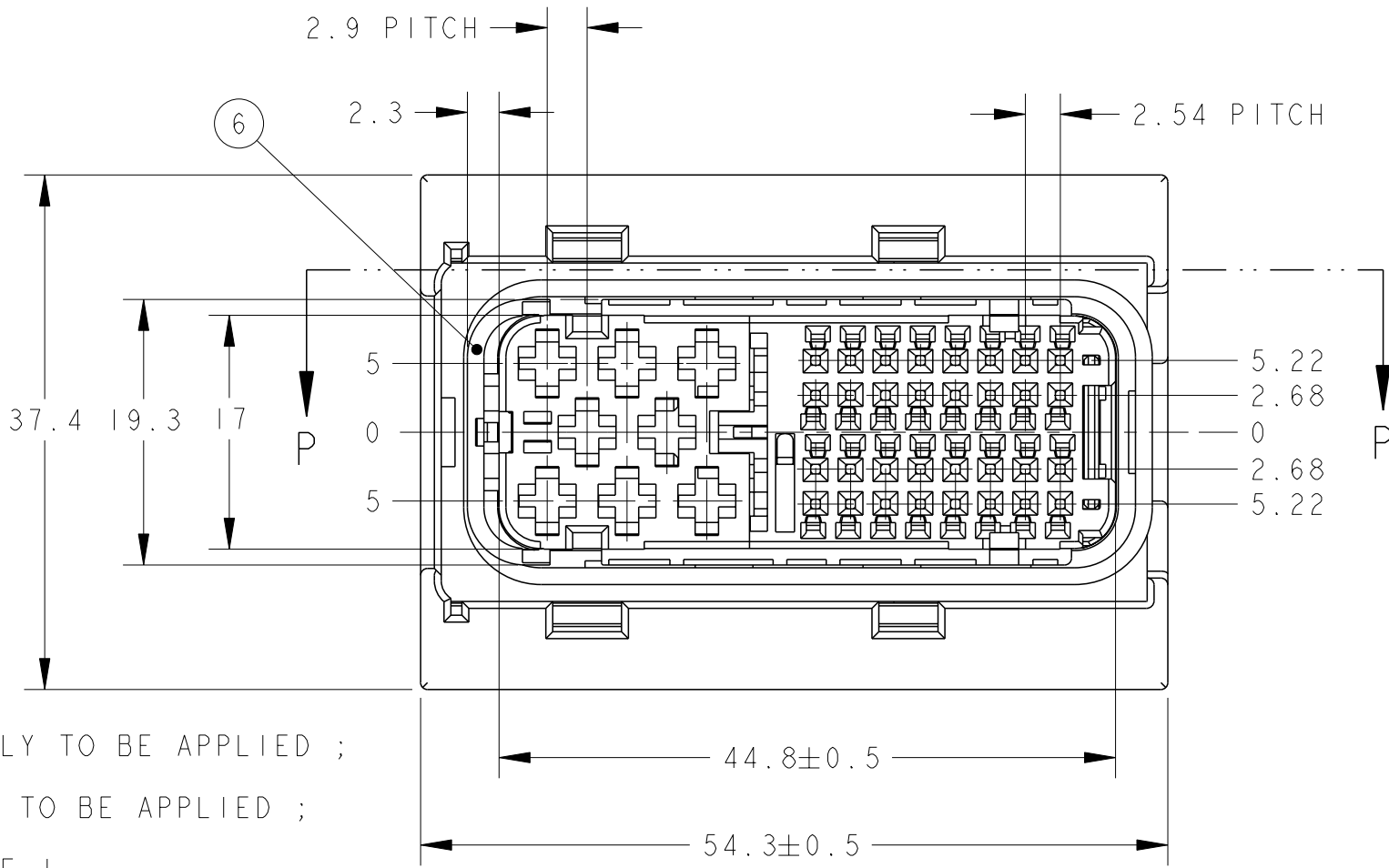
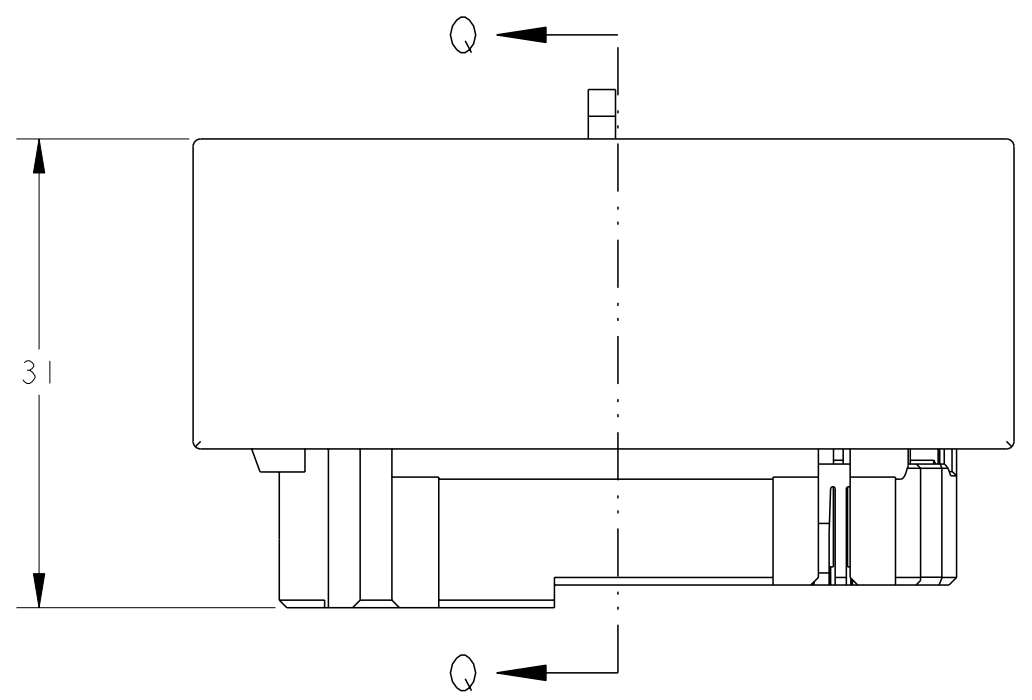
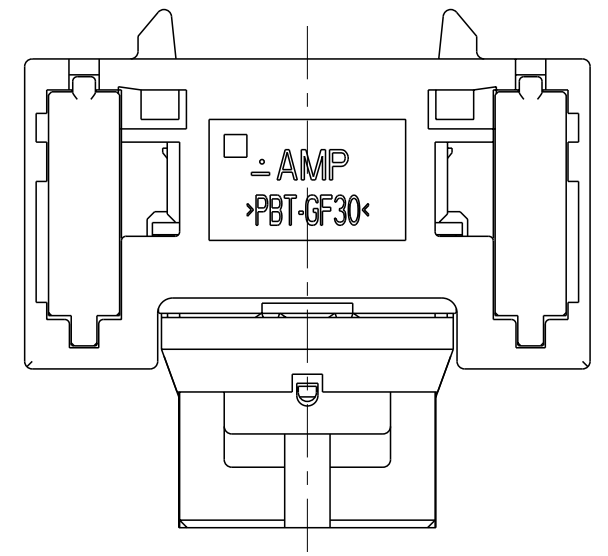
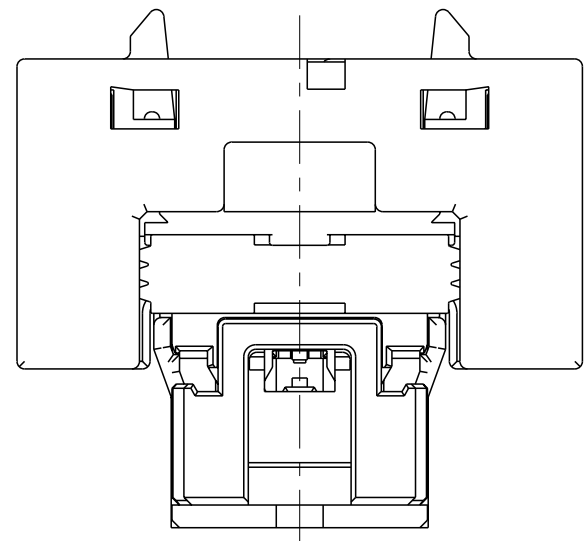
LOC		DWT		REVISIONS		
P	LTR	DESCRIPTION	DATE	DWN	APVD	
A2		REVISED PER ECO-11-005140	09APR2011	RK	HMR	
A3		REVISED ECR-18-012136	31JUL2018	TS	HY	



BOSS OF MAIN CAVITY BLOCK. IT HOLD A PERIPHERAL SEAL. (8PLC)



BOSS OF FRONT CAVITY BLOCK. IT HOLD A PERIPHERAL SEAL. (6PLC)



- PART NUMBER OF LEVER ASSEMBLY TO BE APPLIED ; P/N 1473255-1
- PART NUMBER OF MQS RETAINER TO BE APPLIED ; P/N 368388-1
- APPLIED TERMINAL ; SEE TABLE-1
- PART NUMBER OF CAP HOUSING TO BE MATED ; P/N 1241434-1
- INSTRUCTION SHEET NO ; 411-78008

- 適応レバーアセンブリ型番は、P/N 1473255-1
- 適応MQSリテーナ型番は、P/N 368388-1
- 適応端子はTABLE-1参照
- 嵌合相手型番は、P/N 1241434-1
- 取扱説明書 NO ; 411-78008

TABLE-1

CONTACT	MQS		JPT		
PART NUMBER	968220-1	968221-1	964282-2	964286-2	964273-2
WIRE SIZE (mm <sup>2</sup> )	0.5	0.75	0.2~0.5	0.5~1.0	>1.0~2.5

2	2	PA66	SLIDER	BLACK	7
1	1	PBT	JPT RETAINER	YELLOW	6
1	1	SILICONE	PERIPHERAL SEAL	ORANGE	5
-	1	PBT	SEAL RETAINER	BLACK	4
-	1	SILICONE	32POS FAMILY SEAL	ORANGE	3
1	1	PBT	MAIN CAVITY BLOCK	BLACK	2
1	1	PA66	FRONT CAVITY BLOCK	BLACK	1
-2	-1	MATERIAL	PART NAME	FINISH/COLOR	NO

THIS DRAWING IS A CONTROLLED DOCUMENT.

DWN: Y. KAWAHARA 10OCT01  
 CHK: N. SAI 10OCT01  
 APVD: K. SHIMIZU 10OCT01

PRODUCT SPEC: 108-5793  
 APPLICATION SPEC: 114-18021, 114-18036

WEIGHT: 32.2g

CUSTOMER DRAWING

SCALE: 2:1

SHEET 1 OF 1

REV A3

RESTRICTED TO

STE TE Connectivity

NAME: PLUG HOUSING ASSY  
 SEALED 40POS. PLUG HSG MQS CLEAN BODY/JPT

SIZE: A2  
 CAGE CODE: 00779  
 DRAWING NO: 1473252

## X-ON Electronics

Largest Supplier of Electrical and Electronic Components

*Click to view similar products for [Automotive Connectors](#) category:*

*Click to view products by [TE Connectivity](#) manufacturer:*

Other Similar products are found below :

[003-018-000](#) [60403001](#) [60993906-B](#) [M902-2131](#) [M902-2161](#) [72.330.1035.1](#) [73.353.4028.0](#) [F119300-B](#) [F166900](#) [F258300-B](#) [F358300-B](#)  
[F407400](#) [F444110](#) [F487000](#) [F509500B-B](#) [827153-1](#) [8N1515-32-24P](#) [9-1326729-8](#) [925474-1](#) [928905-1](#) [964562-4](#) [968782-1](#) [GT17SA-8DS-](#)  
[HU](#) [98891-1012](#) [98947-1016](#) [12004147](#) [12004475-L](#) [12010290](#) [12010309-B](#) [12015454](#) [12020219-B](#) [12020308](#) [12041318-B](#) [12052225-L](#)  
[12052466](#) [12059125](#) [12064869](#) [12004327-B](#) [12010503-B](#) [12015308](#) [12015384](#) [12015909](#) [1-21030-1](#) [12041254](#) [12041318](#) [12047946-B](#)  
[12047957](#) [12047957-L](#) [12059473](#) [12066261](#)