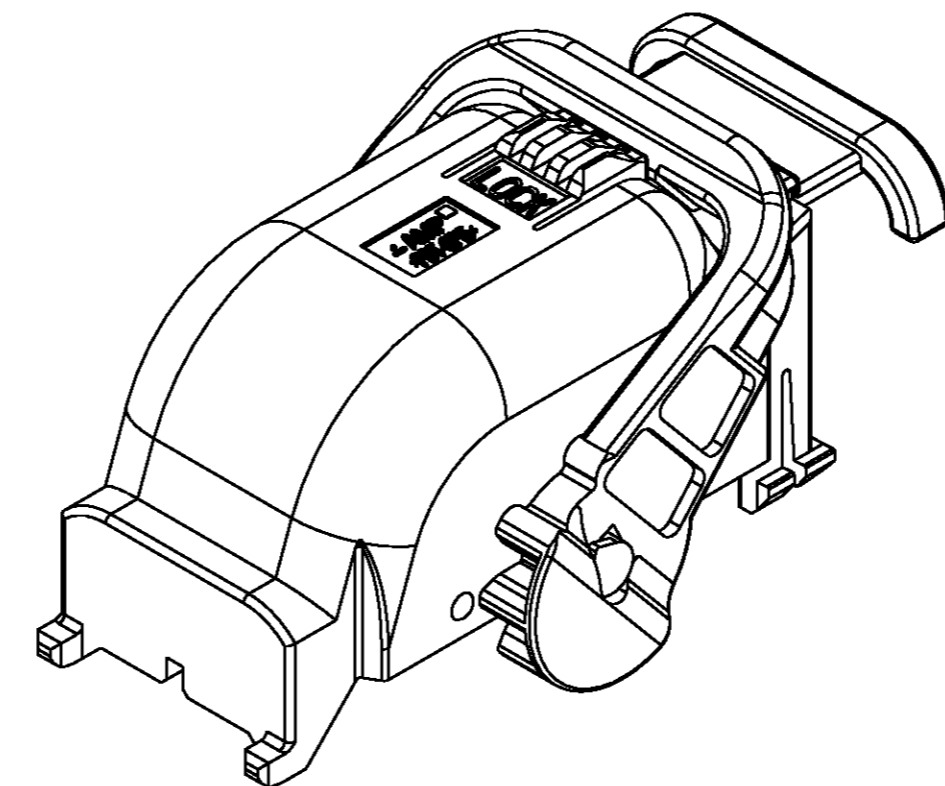
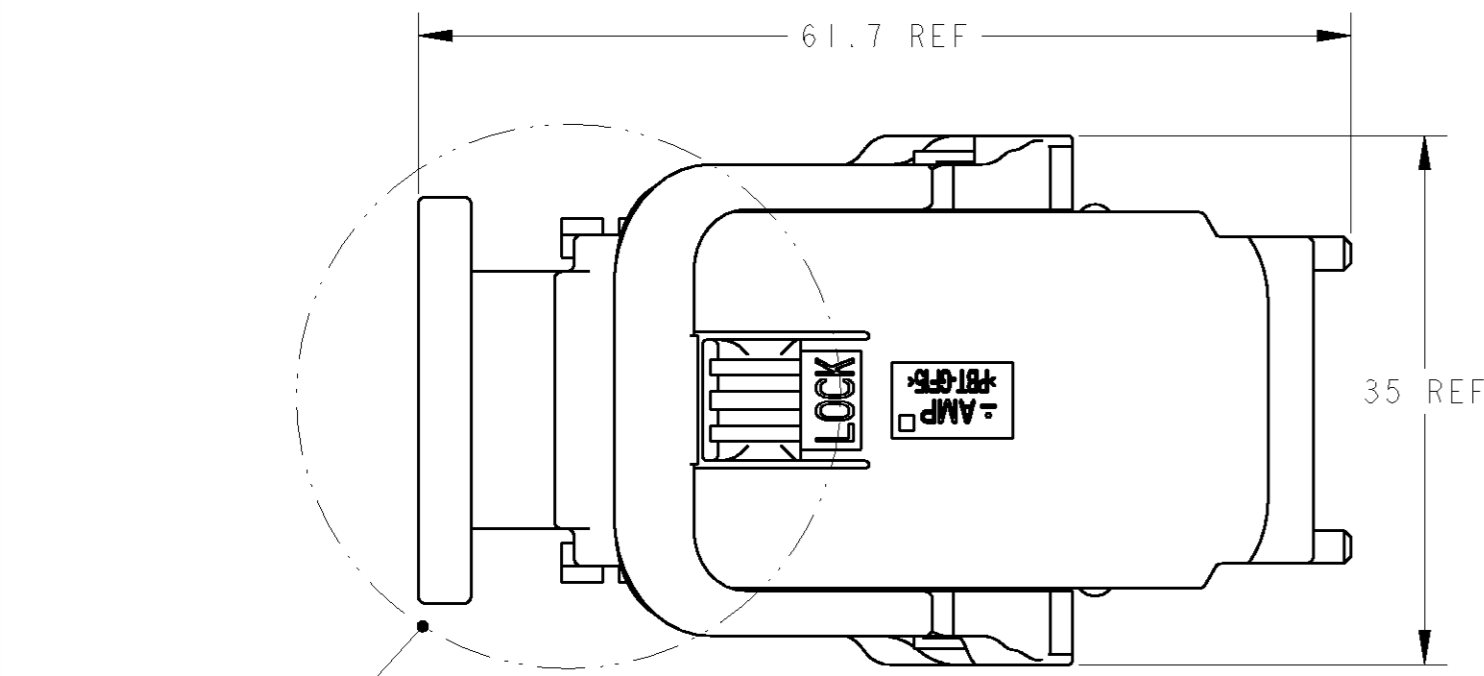


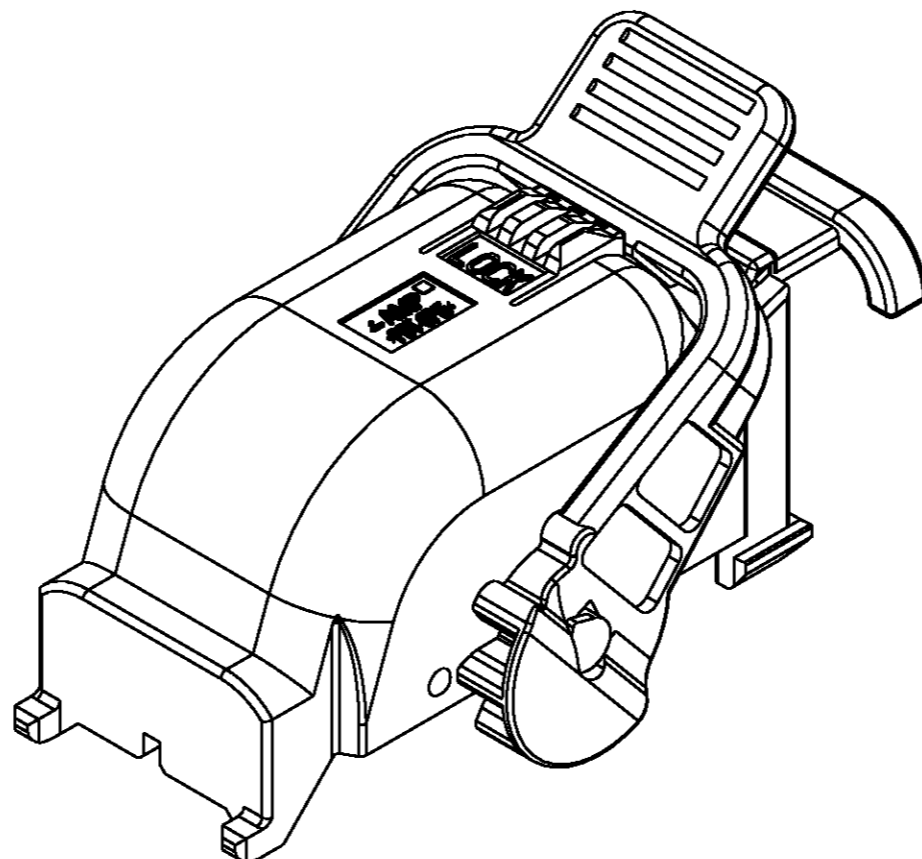
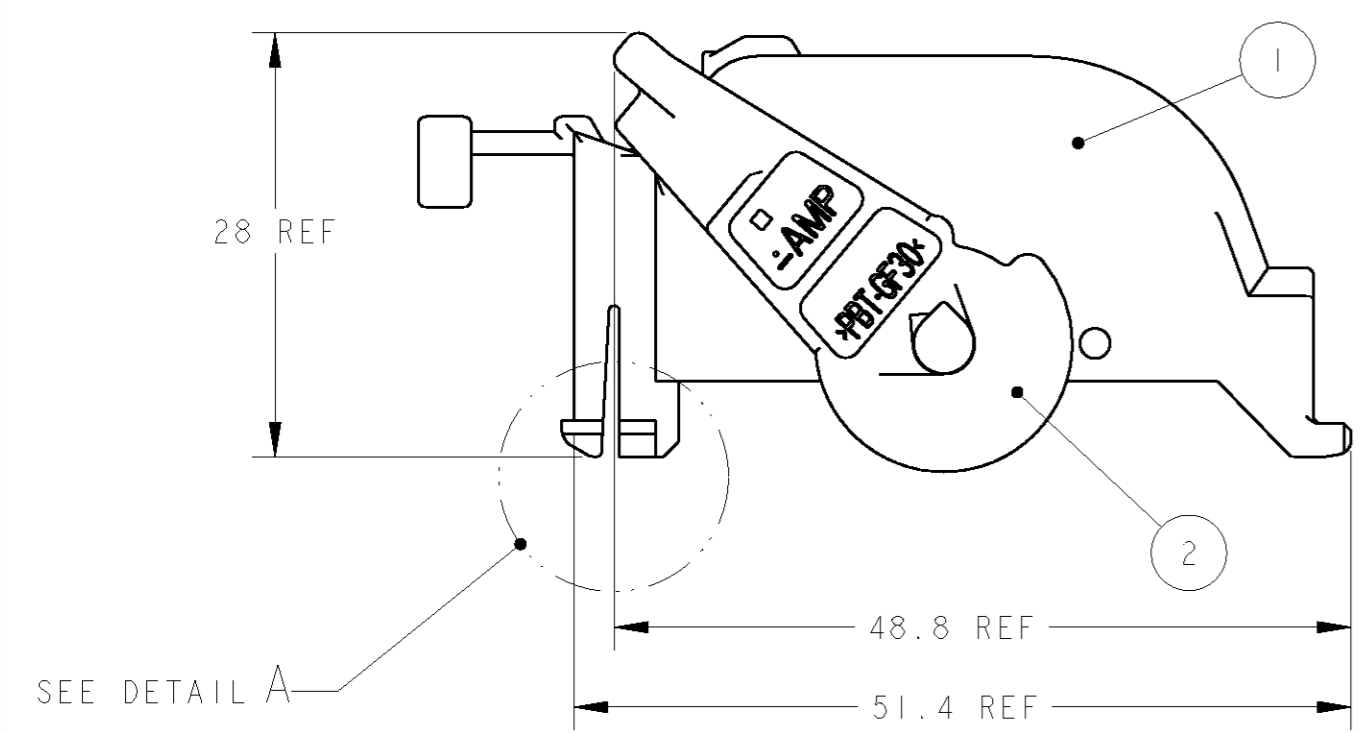
THIS DRAWING IS UNPUBLISHED. RELEASED FOR PUBLICATION  
 © COPYRIGHT BY TYCO ELECTRONICS CORPORATION. ALL RIGHTS RESERVED.

LOC	DIST	REVISIONS				
P	LTR	DESCRIPTION	ECN	DATE	DWN	APVD
-	0	RELEASED	FJ00-2386-01	10OCT01	Y.K	N.S
-	01	ADD "-2" SLIT TYPE	ECR-05-000427	09MAR2005	S.Y	Y.F
-	A	ADD LONG LEVER TYPE	ECR-07-010628	07MAY07	T.J	Y.F



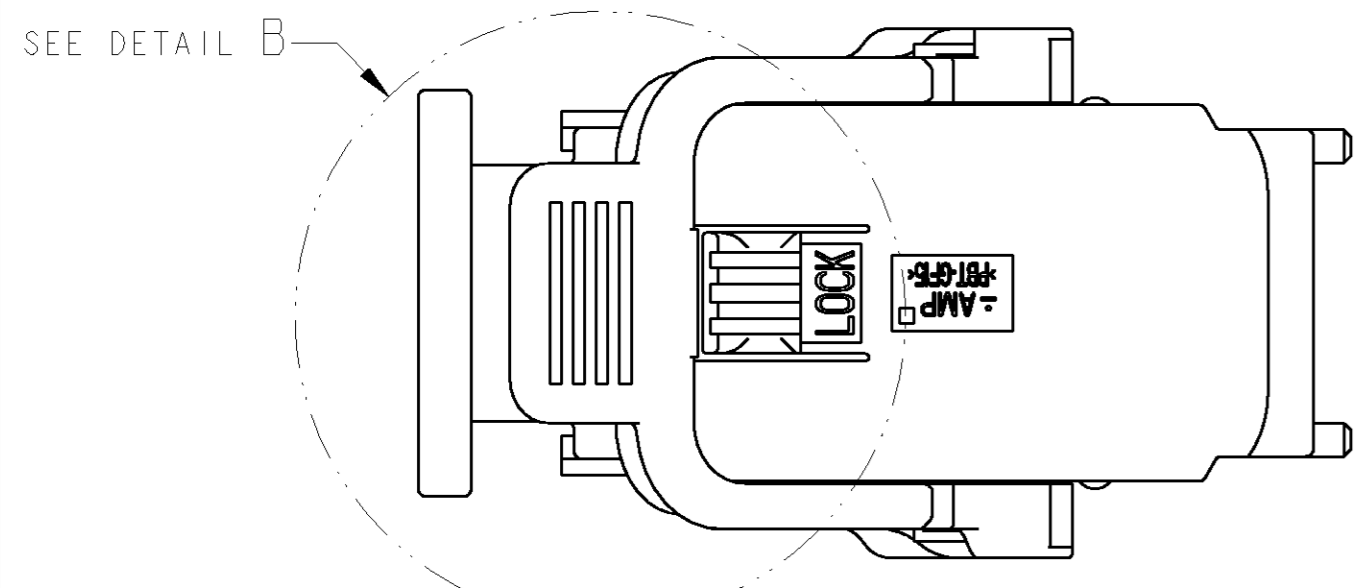
STANDARD LEVER TYPE

DETAIL A		
TYPE	SLIT TYPE	NO SLIT TYPE
P/N	1473255-1	1473255-2, -3

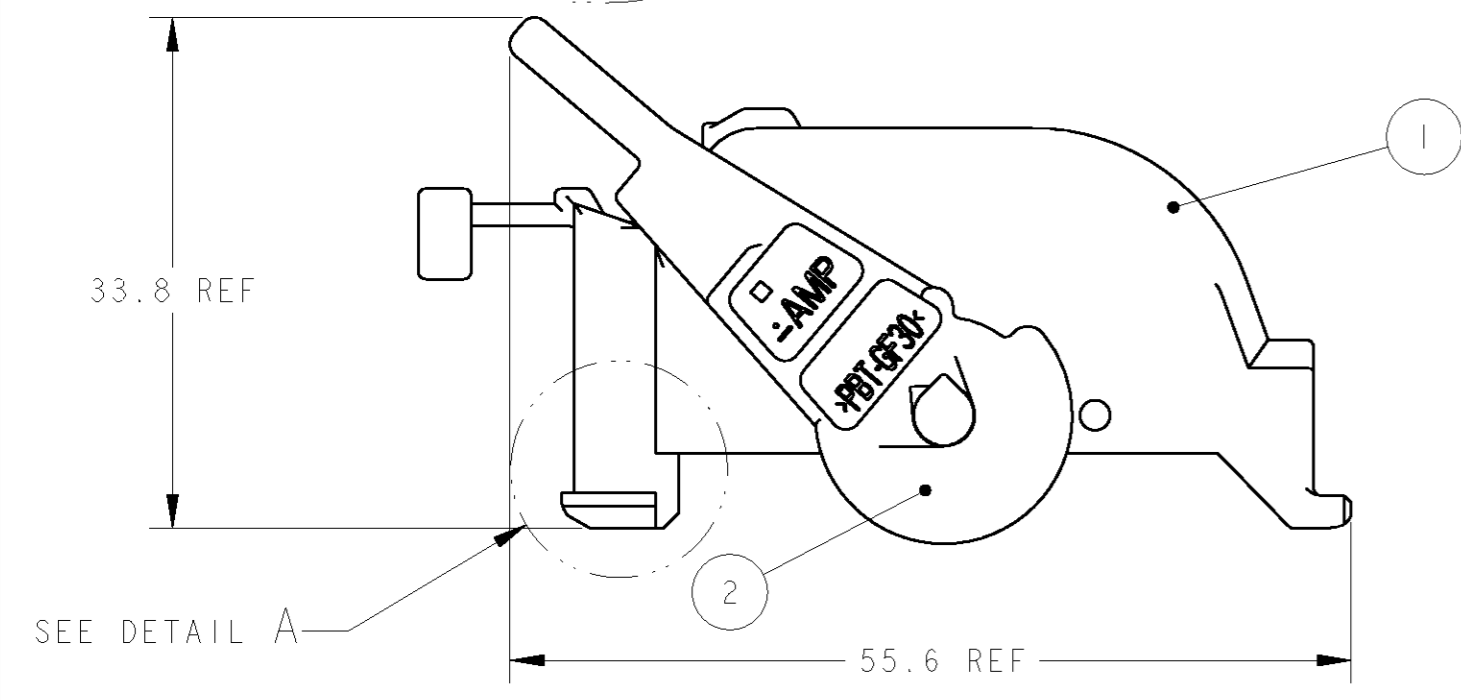


LONG LEVER TYPE

DETAIL B		
TYPE	STANDARD LEVER TYPE	LONG LEVER TYPE
P/N	1473255-1, -2	1473255-3



1. PART NUMBER OF PLUG HOUSING ASSEMBLY TO BE APPLIED ; SEE PRODUCT SPEC.  
 2. INSTRUCTION SHEET NO ; 411-78008 / 411-78142
1. 適用プラグハウジングアセンブリ型番は、製品規格参照のこと。  
 2. 取扱説明書 NO ; 411-78008 / 411-78142



1	-	-	LEVER ( LONG TYPE )	WHITE	2
-	1	1	LEVER ( STANDARD TYPE )	BLACK	
1	1	-	HARNESS COVER ( NO SLIT )	BLACK	1
-	-	1	HARNESS COVER ( SLIT )	BLACK	
-3	-2	-1	PART NAME	FINISH/COLOR	NO

THIS DRAWING IS A CONTROLLED DOCUMENT FOR TYCO ELECTRONICS CORPORATION. IT IS SUBJECT TO CHANGE AND THE CONTROLLING ENGINEERING ORGANIZATION SHOULD BE CONTACTED FOR THE LATEST REVISION.

DWN: T. JIANG 07 JUN 07  
 CHK: Y. NOGUCHI 07 JUN 07  
 APVD: Y. FUJIWARA 07 JUN 07

Tyco Electronics Corporation  
 Kawasaki, Japan

NAME: LEVER ASSY TYPE-A (STEER THE WIRE OUTSIDE)  
 SEALED 40POS. PLUG HSG MOS CLEAN BODY/JPT

PRODUCT SPEC: 108-5793, 108-5977  
 APPLICATION SPEC: 114-18021, 114-18050

SIZE: A2  
 CAGE CODE: 00779  
 DRAWING NO: 1473255

MATERIAL: PBT  
 DIMENSIONS: mm  
 TOLERANCES UNLESS OTHERWISE SPECIFIED: 一般公差=±0.3  
 0-PLC ±0.5  
 1-PLC ±0.13  
 2-PLC ±0.13  
 3-PLC ±0.001  
 4-PLC ±0.001  
 ANGLES ±0.001  
 FINISH SEE TABLE

WEIGHT: 10.7g

CUSTOMER DRAWING

SCALE: 2.1  
 SHEET: 1 OF 1  
 REV: A

## X-ON Electronics

Largest Supplier of Electrical and Electronic Components

*Click to view similar products for [Automotive Connectors](#) category:*

*Click to view products by [TE Connectivity](#) manufacturer:*

Other Similar products are found below :

[003-018-000](#) [60403001](#) [60993906-B](#) [M902-2131](#) [M902-2161](#) [M902-2344](#) [72.330.1035.1](#) [73.353.4028.0](#) [F119300-B](#) [F166900](#) [F258300-B](#)  
[F358300-B](#) [F407400](#) [F444110](#) [F487000](#) [F509500B-B](#) [827153-1](#) [8N1515-32-24P](#) [9-1326729-8](#) [925474-1](#) [928905-1](#) [964562-4](#) [968782-1](#)  
[GT17SA-8DS-HU](#) [98891-1012](#) [98947-1016](#) [12004147](#) [12004475-L](#) [12010290](#) [12010309-B](#) [12015454](#) [12020219-B](#) [12041318-B](#) [12052225-](#)  
[L](#) [12052466](#) [12064869](#) [12004327-B](#) [12015308](#) [12015384](#) [12015909](#) [1-21030-1](#) [12041254](#) [12041318](#) [12047946-B](#) [12047957](#) [12047957-L](#)  
[12059473](#) [12066261](#) [12110546](#) [12110546-B](#)