

1473381-1 ✓ ACTIVE

TE Internal #: 1473381-1

PCB D-Sub Connectors, Receptacle, Wire-to-Board, 40 Position, .1 in [2.54 mm] Centerline, 2 Row, Dual Beam, Mating Retention, Wire & Cable, Signal

[View on TE.com >](#)



Connectors > D-Shaped Connectors > D-Sub Connectors > PCB D-Sub Connectors



Connector & Housing Type: **Receptacle**

Connector System: **Wire-to-Board**

Number of Positions: **40**

Centerline (Pitch): **2.54 mm [.1 in]**

Number of Rows: **2**

Features

Product Type Features

Connector & Housing Type	Receptacle
Connector System	Wire-to-Board
Connector & Contact Terminates To	Wire & Cable
Product Type	Connector
Connector Type	Connector Assembly

Configuration Features

Number of Positions	40
Number of Rows	2

Contact Features

Contact Mating Area Plating Material	Gold
Contact Base Material	Copper Alloy
Contact Shape & Form	Dual Beam
Contact Current Rating (Max)	3 A

Mechanical Attachment

PCB Mount Alignment	Without
PCB Mount Retention	Without
Mating Retention	Without
Mating Retention Type	Screwlocks
Connector Mounting Type	Cable Mount (Free-Hanging)



Mating Alignment	With
------------------	------

Mating Alignment Type	Guide Pin
-----------------------	-----------

Housing Features

Centerline (Pitch)	2.54 mm[.1 in]
--------------------	----------------

Housing Material	Thermoplastic Polyester - GF
------------------	------------------------------

Housing Color	Black
---------------	-------

Usage Conditions

Operating Temperature Range	-25 – 85 °C[-13 – 185 °F]
-----------------------------	---------------------------

Operation/Application

Circuit Application	Signal
---------------------	--------

Industry Standards

Approved Standards	EIA 364
--------------------	---------

Product Compliance

[For compliance documentation, visit the product page on TE.com>](#)

EU RoHS Directive 2011/65/EU	Compliant
------------------------------	-----------

EU ELV Directive 2000/53/EC	Compliant
-----------------------------	-----------

China RoHS 2 Directive MIIT Order No 32, 2016	No Restricted Materials Above Threshold
---	---

EU REACH Regulation (EC) No. 1907/2006	Current ECHA Candidate List: JUL 2021 (219) Candidate List Declared Against: JUL 2021 (219) Does not contain REACH SVHC
--	---

Halogen Content	Not Low Halogen - contains Br or Cl > 900 ppm.
-----------------	--

Solder Process Capability	Not applicable for solder process capability
---------------------------	--

Product Compliance Disclaimer

This information is provided based on reasonable inquiry of our suppliers and represents our current actual knowledge based on the information they provided. This information is subject to change. The part numbers that TE has identified as EU RoHS compliant have a maximum concentration of 0.1% by weight in homogenous materials for lead, hexavalent chromium, mercury, PBB, PBDE, DBP, BBP, DEHP, DIBP, and 0.01% for cadmium, or qualify for an exemption to these limits as defined in the Annexes of Directive 2011/65/EU (RoHS2). Finished electrical and electronic equipment products will be CE marked as required by Directive 2011/65/EU. Components may not be CE marked. Additionally, the part numbers that TE has identified as EU ELV compliant have a maximum concentration of 0.1% by weight in homogenous materials for lead, hexavalent chromium, and mercury, and 0.01% for cadmium, or qualify for an exemption to these limits as defined in the Annexes of Directive 2000/53/EC (ELV). Regarding the REACH Regulation, the information TE provides on SVHC in articles for this part number is based on the latest European Chemicals Agency (ECHA) 'Guidance on requirements for substances in articles' posted at this URL: <https://echa.europa.eu/guidance-documents/guidance-on-reach>



Compatible Parts



TE Part # 900413-2
PC I/O RETENTION LEG ASSY 40P

Customers Also Bought



TE Part #5-2176331-8
CRGP 2512 560K 1%



TE Part #178964-6
DYNAMIC 3100D TAB HSG 12P FREE



TE Part #1747363-1
DYNAMIC D-3800 REC HSG 12P WITH HTS CONN




TE Part #900413-1
PC I/O RETENTION LEG ASSY 40P




TE Part #900413-2
PC I/O RETENTION LEG ASSY 40P



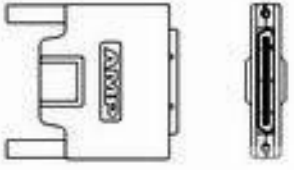
TE Part #1903404-1
KIT,PC I/O CONN.MT 40P



TE Part #4-175638-4
1.25FP,R14,DL,B,N,TR



TE Part #1-175635-4
1.25FP,P14,DL,O,N,TU,6.50,7.90



TE Part #1805071-1
CABLE ASSEMBLY,CHAMP .8mm 68P, EXTERNAL

Documents

[Product Drawings](#)
[PC I/O REC KIT BAG /1PCS.](#)

Japanese

[Product Specifications](#)
[Product Specification](#)

English

1473381-1

PCB D-Sub Connectors, Receptacle, Wire-to-Board, 40 Position, .1 in [2.54 mm]
Centerline, 2 Row, Dual Beam, Mating Retention, Wire & Cable, Signal



X-ON Electronics

Largest Supplier of Electrical and Electronic Components

Click to view similar products for [D-Sub Standard Connectors](#) category:

Click to view products by [TE Connectivity](#) manufacturer:

Other Similar products are found below :

[56F711-015](#) [012-9507-004](#) [LV242999-142T12](#) [015-0341-000](#) [015-0349-000](#) [015-0372-005](#) [015-0372-008](#) [015-8755-001](#) [020419-0104](#) [012-0467-000](#) [012-0515-000](#) [012-9507-034](#) [012-9507-114](#) [020745-0008](#) [609-25P](#) [M24308/2-23Z](#) [CT2-14S-2PCA34](#) [CT2-18-11PCAU](#) [CT2-36-15SC](#) [CT6-14S-2SC](#) [CT6E14SA7SC](#) [CT6E22-14PC](#) [CT6E22-14PS](#) [CT6E22-22PS](#) [M83513/01-FC](#) [M85049/48-3-2F](#) [6STD09PCM99B70X](#) [6STD09SCM99B30X](#) [6STD09SCT99S40X](#) [6STD15PCT99S40X](#) [6STD15SCM99B30X](#) [6STD15SCT99S40X](#) [6STF09PCM05B70X](#) [7-135760-9](#) [MC11E-10-6SN](#) [747552-3](#) [MD1-21PS](#) [MDM-15SCBRM7-F222](#) [MDM96517-699](#) [MDM96521-744](#) [MDVB1-21SL1](#) [MIK0-1-7SH003](#) [MIKQ6-7SH076](#) [MIKQ7-7PH077](#) [MIKQ7-7PH11](#) [MIKQ7-7PH32](#) [MIKQ9-7PH003](#) [MJSV-28SL61](#) [MKJ4A1F14-55S](#) [8-135760-3](#)