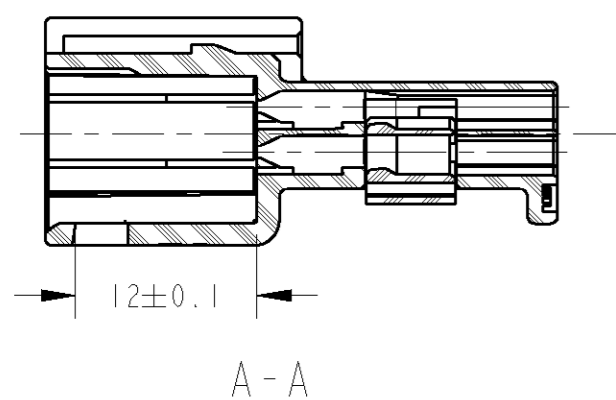
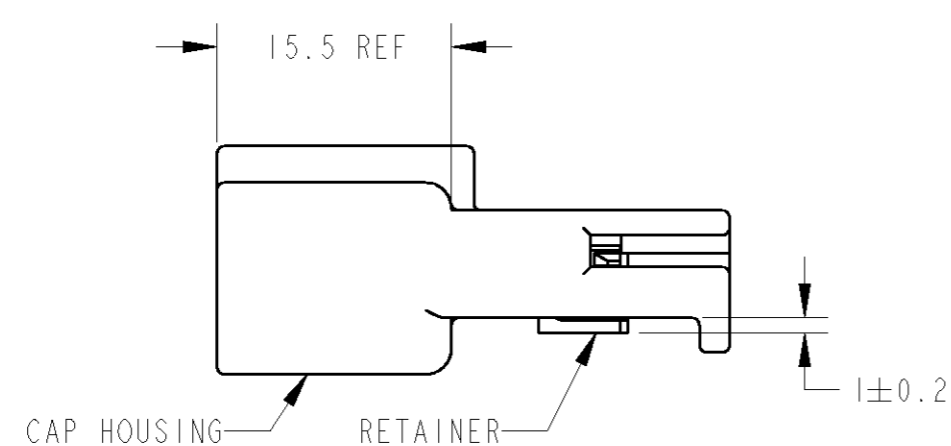
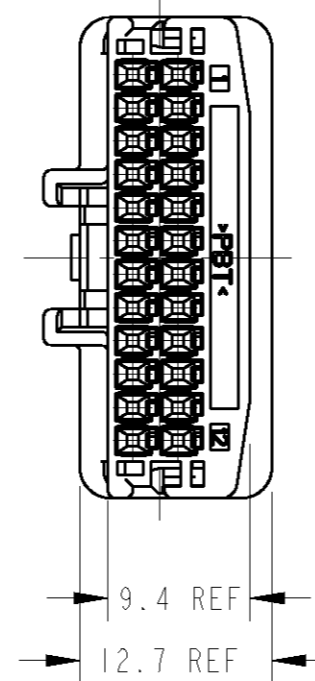
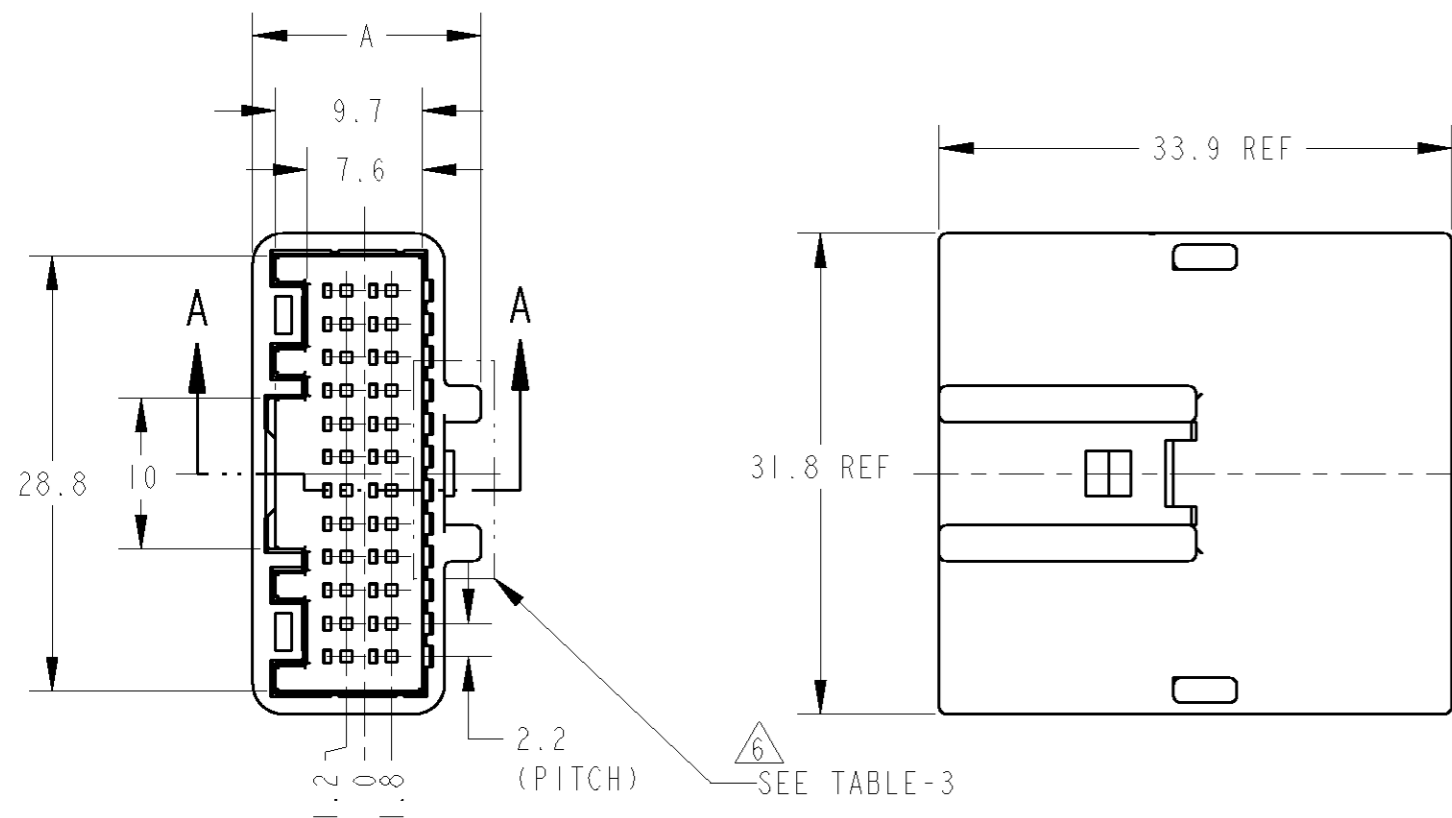


THIS DRAWING IS UNPUBLISHED. RELEASED FOR PUBLICATION
 © COPYRIGHT - BY TYCO ELECTRONICS CORPORATION. ALL RIGHTS RESERVED.

LOC		DIST		REVISIONS				
P	LTR	DESCRIPTION	ECN	DATE	DWN	APVD		
	O	RELEASED	FJ00-1822-01	12APR2002	N.Y	N.S		
	A	REVISED	FJ00-0565-02	12APR2002	D.M	N.S		
	B	REVISED	FJA0-0085-03	04MAR2003	D.M	K.S		
	BI	REVISED	ECR-05-000898	24MAR05	D.M	K.S		



1. RETAINER MUST BE SET TO THE PRE-ASSEMBLY POSITION WITHIN THE CAP HOUSING WHEN SHIPPED TO THE CUSTOMER.
2. RETAINER MUST BE OUT SIDE OF CAP HOUSING AT PRE-ASSEMBLY
3. INSTRUCTION SHEET NO.; 411-78011
4. PART NUMBER OF PLUG HOUSING TO BE MATED; SEE TABLE-1
5. APPLICABLE TERMINAL; TABLE-2
6. PANEL LOCK VARIATIONS; REFER TO TABLE-3

1. リテーナはキャップ・ハウジングに仮係止して出荷される。
2. 仮係止時、リテーナはハウジングの外側に出ていること。
3. 取扱説明書NO.; 411-78011
4. 嵌合相手型番; TABLE-1参照
5. 適用端子; TABLE-2参照
6. 本製品は2種類のパネルロック形状があるTABLE-3参照

PART NO	DEMENSION A 寸法A	DEMENSION B 寸法B
1473413-2	14.7 REF	16.6 REF
1473413-1	15.1 REF	17.0 REF

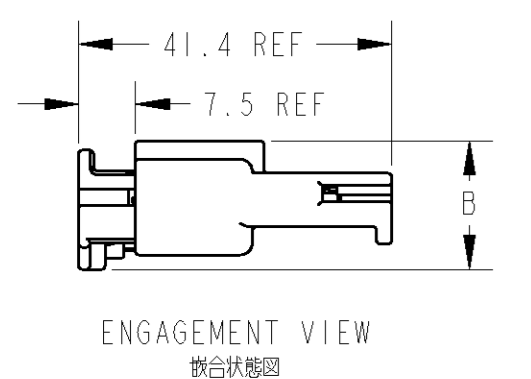


TABLE-3

P/N 1473413-1	P/N 1473413-2
PANEL LOCK TYPE A	PANEL LOCK TYPE B

TABLE-1

POS 極数	TERMINATION TYPE 結線方式	PLUG ASSEMBLY PART NO. 嵌合相手型番
24	CRIMP	1318917

TABLE-2

TYPE 端子種類	FINISH 仕上	APPLICABLE TERMINAL P/N	APPLICABLE WIRE RANGE 適用電線
SIGNAL 025	TIN	1674742-1	AVSS/CAVS/CAVUS/AVSSH-f 0.3~0.5mm ²

PAPER BOX ダンボール箱	PLASTIC BAG ビニール袋	TYPE B	NATURAL	1473413-2
PAPER BOX ダンボール箱	PLASTIC BAG ビニール袋	TYPE A	NATURAL	1473413-1
OUTER 外装	INNER 内装	パネルロックタイプ PANEL LOCK TYPE	COLOR 色	PART NUMBER 型番
PACKING STYLE 梱包形態				

THIS DRAWING IS A CONTROLLED DOCUMENT FOR TYCO ELECTRONICS CORPORATION IT IS SUBJECT TO CHANGE AND THE CONTROLLING ENGINEERING ORGANIZATION SHOULD BE CONTACTED FOR THE LATEST REVISION.		DWN N. YASUDA 29AUG2001	Tyco Electronics AMP K.K. Kawasaki, Japan	
DIMENSIONS: 単位: 概 mm		CHK T. KOHNO 29AUG2001	NAME 025 G CONNECTOR 24POSITION CAP HOUSING ASSEMBLY	
TOLERANCES UNLESS OTHERWISE SPECIFIED: 一般公差 ±0.3 1-PLC ±0.5 2-PLC ±0.3 3-PLC ±0.013 4-PLC ±0.0001 ANGLES ±1°00'		APVD N. SAI 29AUG2001	DRAWING NO. 108-5787	
MATERIAL PBT		FINISH NATURAL	APPLICATION SPEC 取付適用規格 114-5340	RESTRICTED TO -
WEIGHT 5.9g		SCALE A2	CAGE CODE 00779	SHEET 1 OF 1
CUSTOMER DRAWING		DRAWING NO. 1473413		REV BI

X-ON Electronics

Largest Supplier of Electrical and Electronic Components

Click to view similar products for [Automotive Connectors](#) category:

Click to view products by [TE Connectivity](#) manufacturer:

Other Similar products are found below :

[003-018-000](#) [60403001](#) [60993906-B](#) [M902-2131](#) [M902-2161](#) [72.330.1035.1](#) [73.353.4028.0](#) [F119300-B](#) [F166900](#) [F258300-B](#) [F358300-B](#)
[F407400](#) [F444110](#) [F487000](#) [F509500B-B](#) [827153-1](#) [8N1515-32-24P](#) [9-1326729-8](#) [925474-1](#) [928905-1](#) [964562-4](#) [968782-1](#) [GT17SA-8DS-](#)
[HU](#) [98891-1012](#) [98947-1016](#) [12004147](#) [12004475-L](#) [12010290](#) [12010309-B](#) [12015454](#) [12020219-B](#) [12020308](#) [12041318-B](#) [12052225-L](#)
[12052466](#) [12059125](#) [12064869](#) [12004327-B](#) [12010503-B](#) [12015308](#) [12015384](#) [12015909](#) [1-21030-1](#) [12041254](#) [12041318](#) [12047946-B](#)
[12047957](#) [12047957-L](#) [12059473](#) [12066261](#)