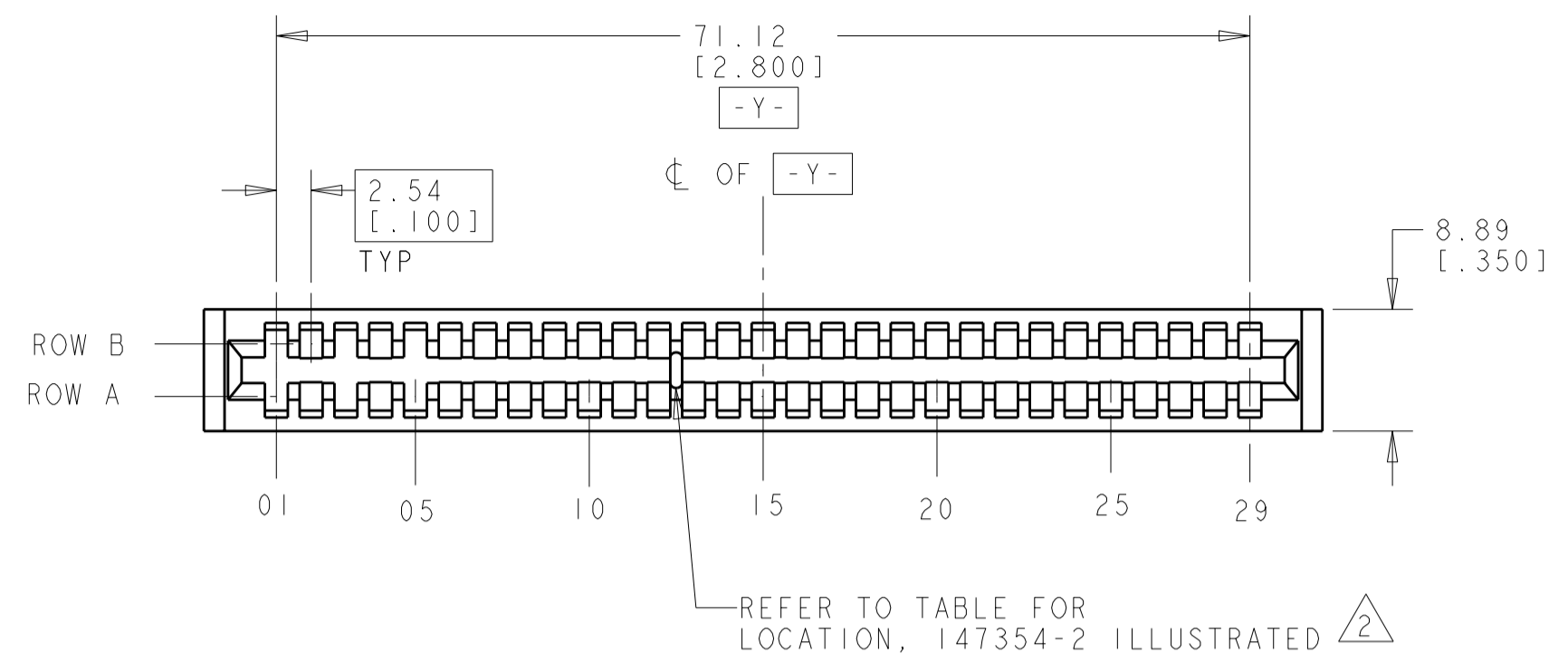
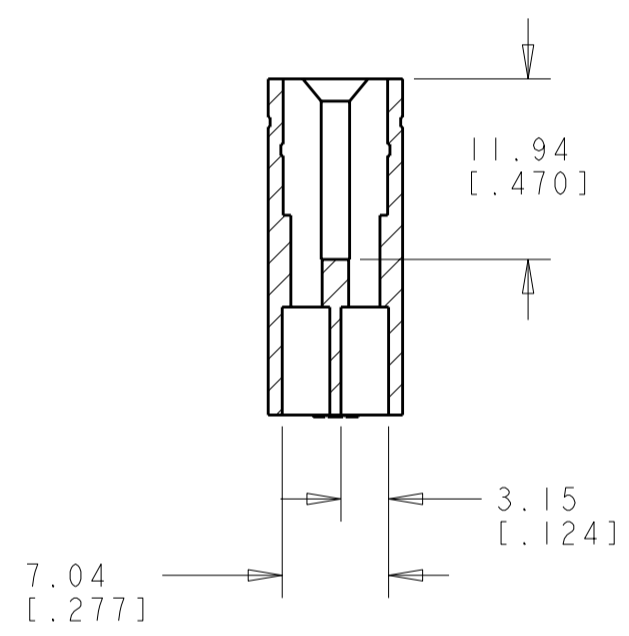
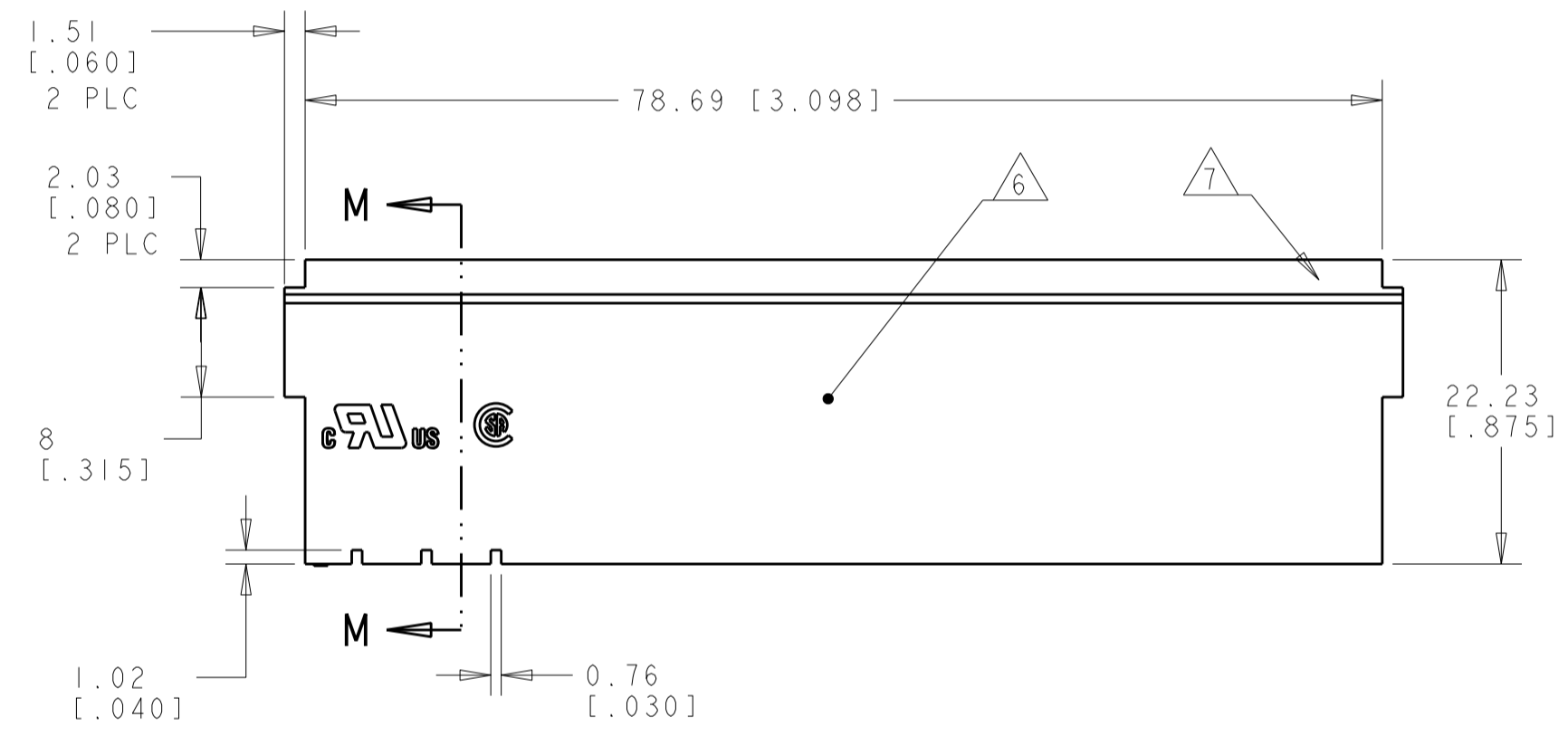


THIS DRAWING IS UNPUBLISHED. RELEASED FOR PUBLICATION 20
 © COPYRIGHT 20 BY TYCO ELECTRONICS CORPORATION. ALL RIGHTS RESERVED.

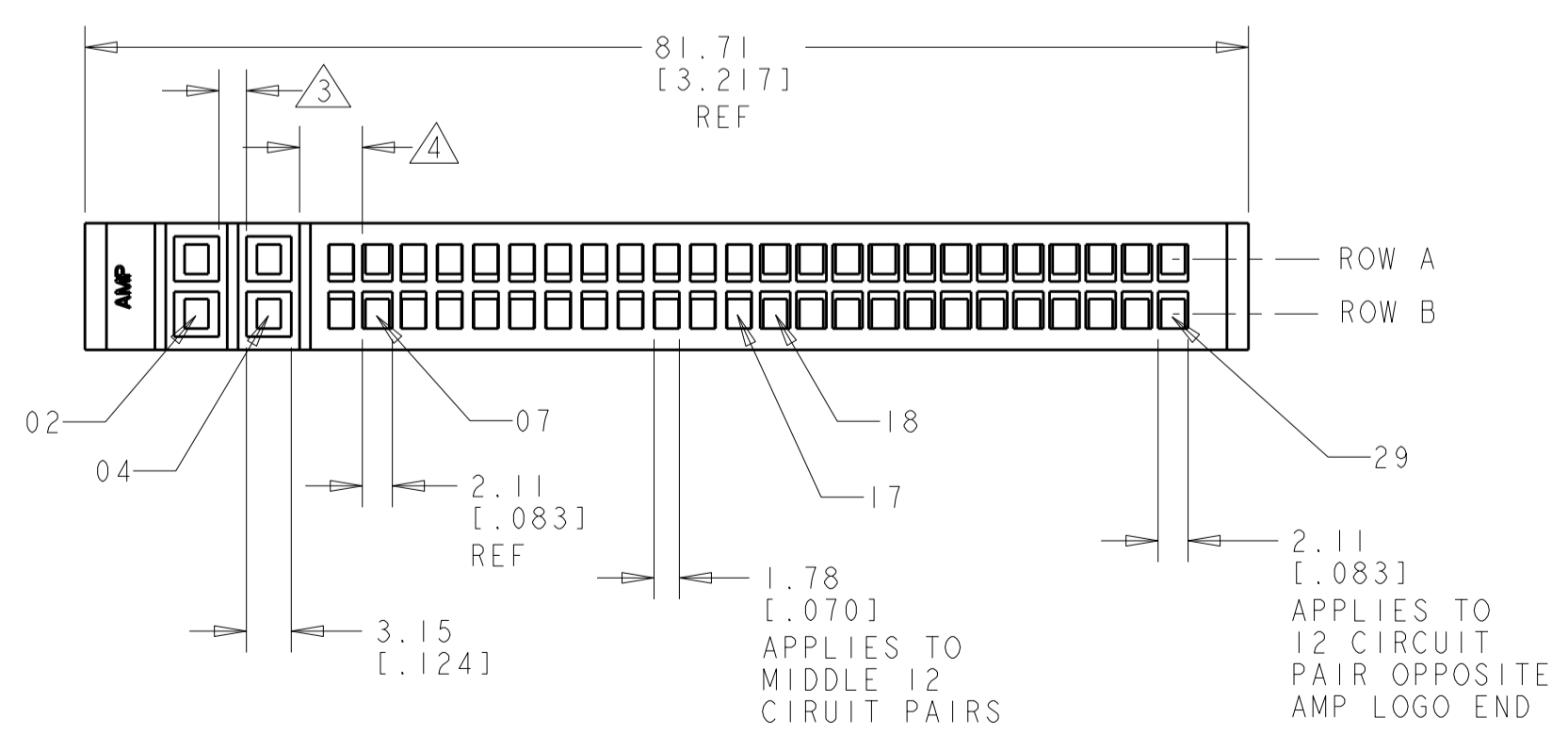
LOC	DIST	REVISIONS			
P	LTR	DESCRIPTION	DATE	DWN	APVD
AD	00	V	ADDED: -13 PER EC 0S1B-0114-01	19NOV2001	DD NN
		VI	REVISED PER ECO-09-027197	10DEC2009	KK AEG



- 1. HOUSING MATERIAL: GLASS FILLED POLYESTER, COLOR-BLACK.
- 2. SEE TABLE.
- 3. CREEPAGE DISTANCE = 3.3[.130].
- 4. CREEPAGE DISTANCE = 6.35[.250].
- 5. NOT RELEASED FOR PRODUCTION.
- 6. HOUSING PART NUMBER AND DATE CODE MARKED IN THIS AREA ON EITHER SIDE OF HOUSING.
- 7. OPTIONAL PULL GROOVE, SIZE AND LOCATION AT DISCRETION OF AMP.
- 8. OBSOLETE PARTS: OBSOLETE CIS STREAMLINING PER D.RENAUD/D.SINISI



SECTION M-M



KEY POSITION LOCATED BETWEEN CIRCUITS	NO OF POSN	PART NUMBER	
5	18,19	29	1-147354-3
5	19,20	29	1-147354-2
5	17,18	29	1-147354-1
5	16,17	29	1-147354-0
	14,15	29	147354-8
5	13,14	29	147354-7
5	10,11	29	147354-6
	11,12	29	147354-5
8	8,9	29	147354-4
	15,16	29	147354-3
	12,13	29	147354-2
8	9,10	29	147354-1

THIS DRAWING IS A CONTROLLED DOCUMENT FOR TYCO ELECTRONICS CORPORATION IT IS SUBJECT TO CHANGE AND THE CONTROLLING ENGINEERING ORGANIZATION SHOULD BE CONTACTED FOR THE LATEST REVISION.

DWN B. HAYMAKER 09MAR2000
 CHK R. BENDORF 09MAR2000
 APVD R. BENDORF 09MAR2000

tyco Tyco Electronics Corporation
 Harrisburg, PA 17105-3608

NAME HOUSING, CRIMP SNAP TWIN LEAF, .100 CENTERLINE X

SIZE A2 CAGE CODE 00779 DRAWING NO C-147354 RESTRICTED TO -

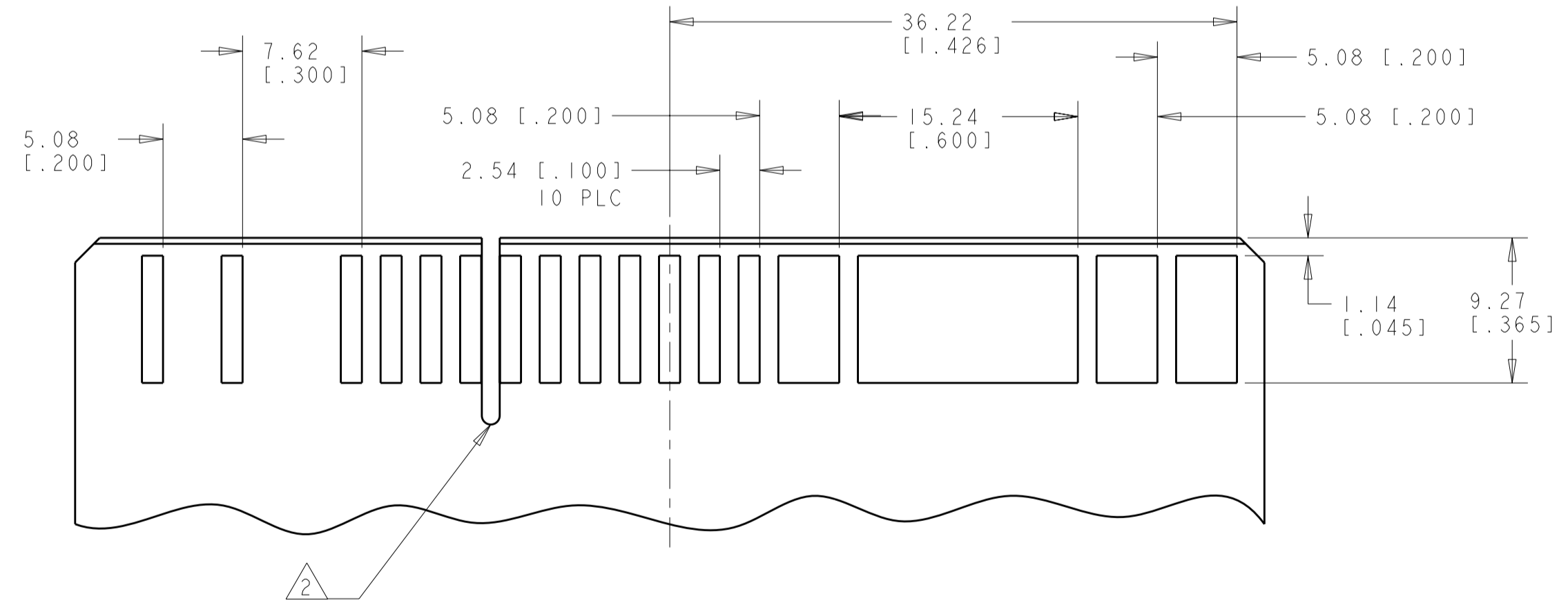
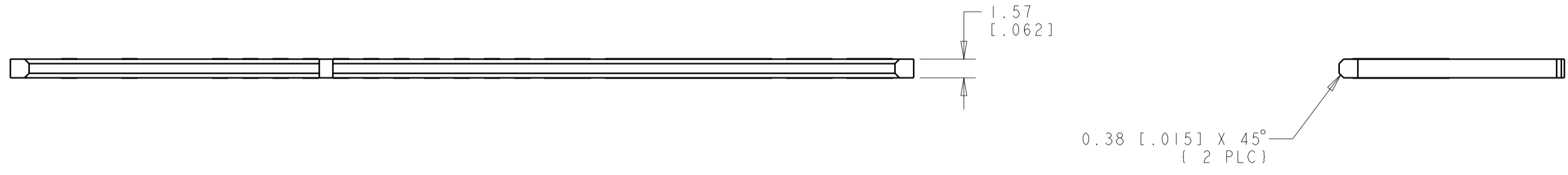
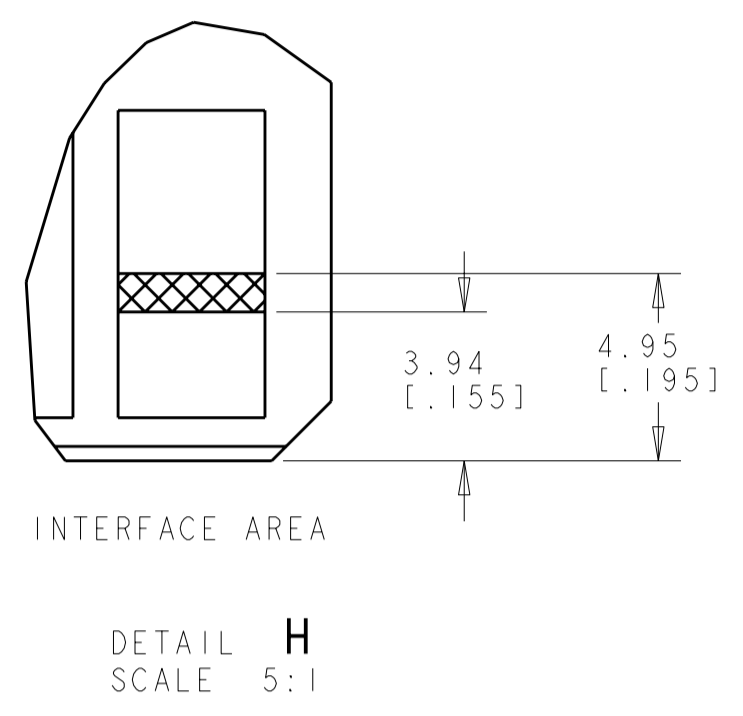
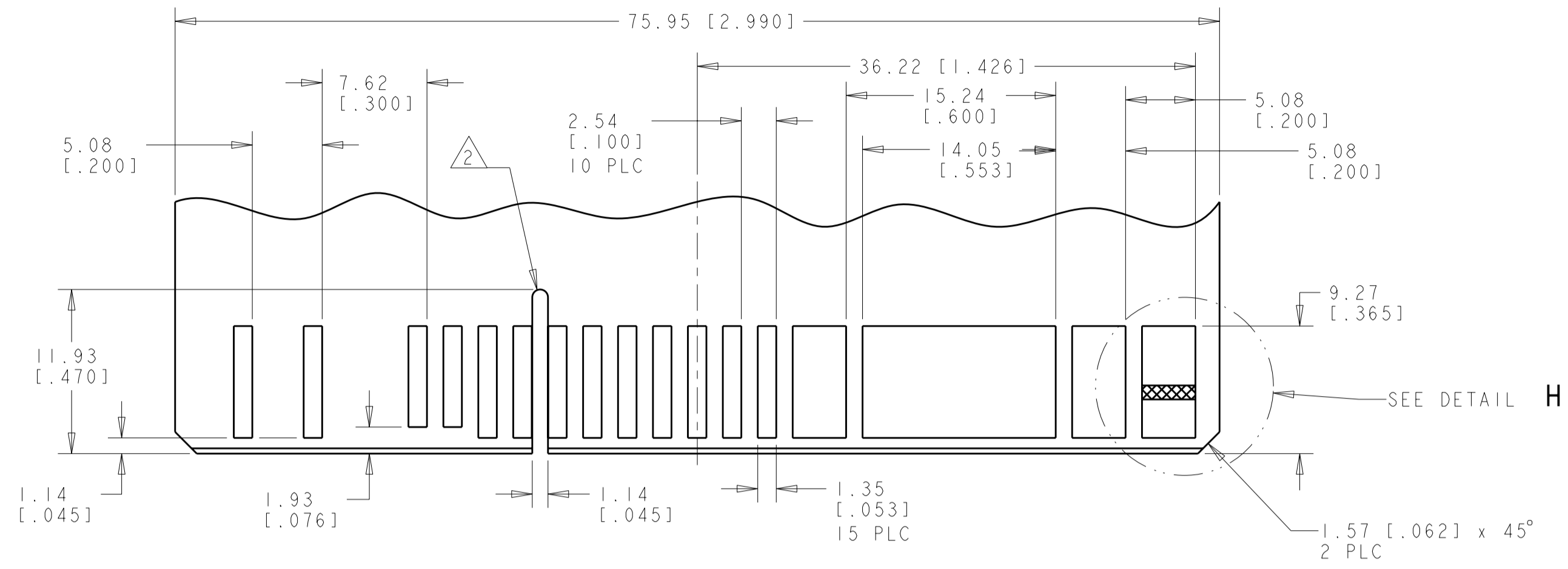
MATERIAL - FINISH - WEIGHT -

CUSTOMER DRAWING SCALE 1:1 SHEET 1 OF 2 REV. VI

147354

THIS DRAWING IS UNPUBLISHED. RELEASED FOR PUBLICATION 20
 © COPYRIGHT 20 BY TYCO ELECTRONICS CORPORATION. ALL RIGHTS RESERVED.

LOC	DIST	REVISIONS			
P	LTR	DESCRIPTION	DATE	DWN	APVD
AD	00	-	SEE SHEET 1	-	-



RECOMMENDED ETCHED CIRCUIT

THIS DRAWING IS A CONTROLLED DOCUMENT FOR TYCO ELECTRONICS CORPORATION. IT IS SUBJECT TO CHANGE AND THE CONTROLLING ENGINEERING ORGANIZATION SHOULD BE CONTACTED FOR THE LATEST REVISION.		DWN B. HAYMAKER 09MAR2000	Tyco Electronics Corporation Harrisburg, PA 17105-3608	
DIMENSIONS: mm [INCHES]		CHK R. BENDORE 09MAR2000	NAME HOUSING, CRIMP SNAP TWIN LEAF, .100 CENTERLINE X	
TOLERANCES UNLESS OTHERWISE SPECIFIED: 0 PLC ± 1 PLC ± 2 PLC ±0.13 [.005] 3 PLC ± 4 PLC ± ANGLES ± FINISH		APVD R. BENDORE 09MAR2000	PRODUCT SPEC -	RESTRICTED TO -
MATERIAL -		APPLICATION SPEC -	WEIGHT -	SIZE A200779
CUSTOMER DRAWING		SCALE 3:1	SHEET 2 OF 2	REV. VI

147354

X-ON Electronics

Largest Supplier of Electrical and Electronic Components

Click to view similar products for [Headers & Wire Housings](#) category:

Click to view products by [TE Connectivity](#) manufacturer:

Other Similar products are found below :

[95000-104TRLF](#) [10135584-644402LF](#) [DF62W-EP2022PCA](#) [95000-106TRLF](#) [DF62W-2022SCA](#) [DF62W-EP2022PC](#) [2203348](#) [DF62W-2022SC](#) [1084018](#) [1029039](#) [1084017](#) [802-10-012-10-002000](#) [1112640](#) [1112639](#) [000-34000](#) [0009482033](#) [0009507031](#) [57102-S06-03LF](#) [57202-S52-04LF](#) [PCN6-15S-2.5E](#) [0039019024](#) [58102-G61-06LF](#) [582553-1](#) [0009508121](#) [0050291907](#) [018731A](#) [LY20-4P-DT1-P1E-BR](#) [02.125.8002.8](#) [60101931](#) [60598-1 \(Cut Strip\)](#) [M1625-3R/100](#) [61062-3](#) [61082-181009](#) [636-1427](#) [638009-1](#) [641938-9](#) [641991-4](#) [644168-1](#) [647662-1](#) [65039-019ELF](#) [65817-002LF](#) [65817-015LF](#) [65863-015LF](#) [66207-023LF](#) [67016-026LF](#) [67046-001LF](#) [67095-007LF](#) [68002-116](#) [68016-236H](#) [68648-049](#)