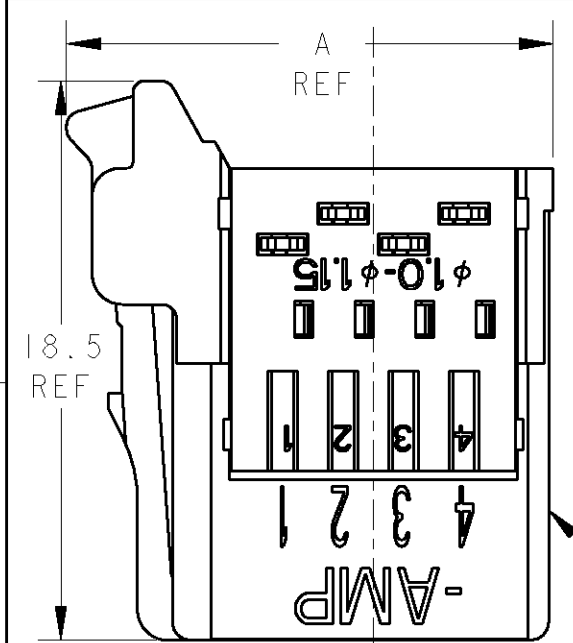


THIS DRAWING IS UNPUBLISHED. RELEASED FOR PUBLICATION  
 © COPYRIGHT - ALL RIGHTS RESERVED.

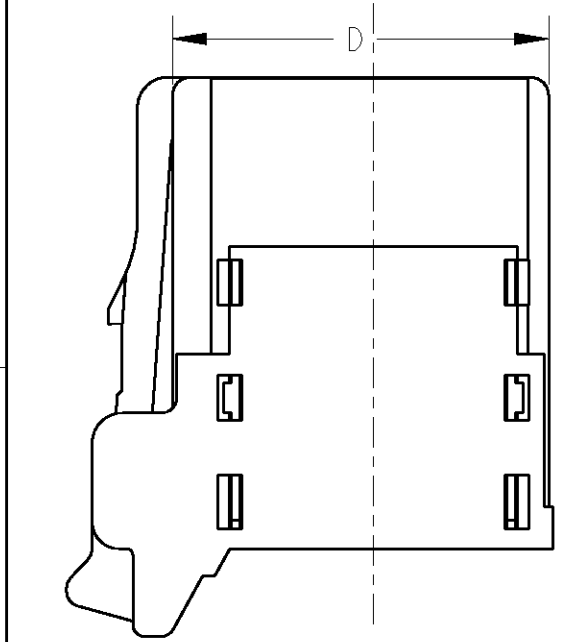
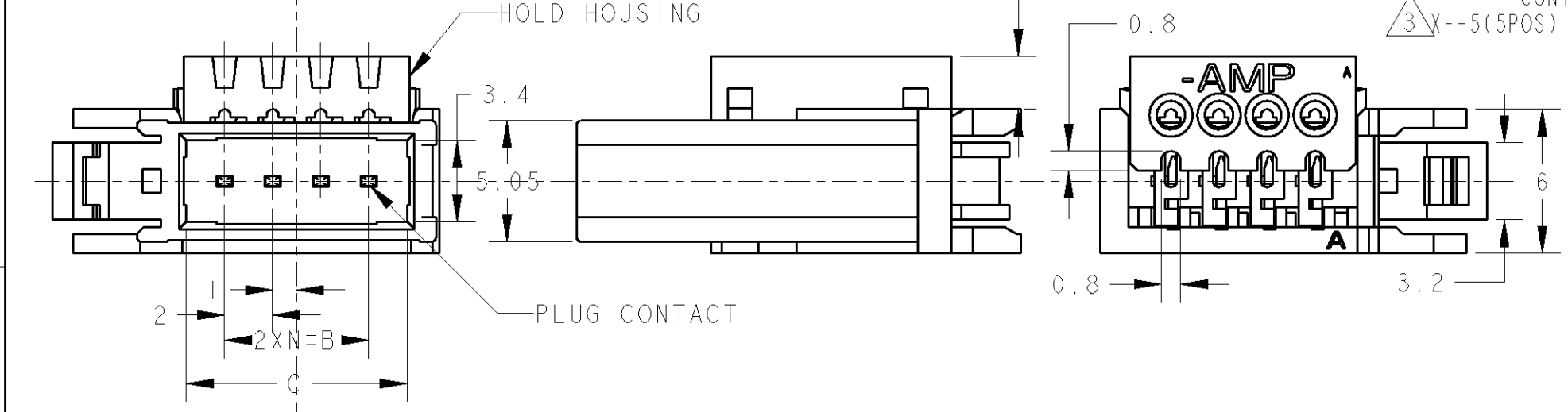
LOC	DIST	REVISIONS					
J	-	P	LTR	DESCRIPTION	DATE	DWN	APVD
		C1		REVISED PER ECO-11-005030	26APR11	RK	HMR



1473562-4: AS SHOWN  
 1473562-4: 本図

注記  
 ① 材料: PLUG HOUSING: ガラス入り熱可塑性ポリエステル樹脂 94V-0 黒  
 HOLD HOUSING: ポリカーボネイト 94V-0 黄色: 0-、赤色: 1-、青色: 2-  
 コンタクト: 銅合金  
 ② メッキ: 全面Ni下地: 1.27μm以上  
 接点部: 0.2μm MIN 金メッキ  
 ③ X--5(5POS)と-7(7POS)は、回路番号6と8にコンタクトが装着されません

NOTE  
 ① MATERIAL: PLUG HOUSING: GLASS FILED THERMOPLASTIC, 94V-0, BLACK  
 HOLD HOUSING: PC, 94V-0, YELLOW: 0-, RED: 1-, BLUE: 2-  
 CONTACT: COPPER ALLOY  
 ② FINISH: UNDERPLATE: Ni 1.27μm min  
 CONTACT AREA: Au 0.2μm min  
 ③ X--5(5POS) AND X--7(7POS) DO NOT EQUIP WITH CONTACT OF CIRCUIT NO 6 AND 8.



<Table of Insulation Dia (Cable suitable for e-CON.)>  
 <被覆外径一覧表(e-CON 適応電線)>

HOLD HSG COLOR	INSULATION DIA	PART NUMBER	SHEET No
ORANGE	φ0.60~0.90	3-1473562-□	SEE SHEET 3
RED	φ0.90~1.00	1-1473562-□	SEE SHEET 1
YELLOW	φ1.00~1.15	1473562-□	SEE SHEET 1
BLUE	φ1.15~1.35	2-1473562-□	SEE SHEET 1
GREEN	φ1.35~1.60	4-1473562-□	SEE SHEET 2

BLUE	20.35	17.2	14	24.1	7	8	2-1473562-8
RED	20.35	17.2	14	24.1	7	8	1-1473562-8
YELLOW	20.35	17.2	14	24.1	7	8	1473562-8
BLUE	20.35	17.2	14	24.1	7	7	③ 2-1473562-7
RED	20.35	17.2	14	24.1	7	7	③ 1-1473562-7
YELLOW	20.35	17.2	14	24.1	7	7	③ 1473562-7
BLUE	16.35	13.2	10	20.1	5	6	2-1473562-6
RED	16.35	13.2	10	20.1	5	6	1-1473562-6
YELLOW	16.35	13.2	10	20.1	5	6	1473562-6
BLUE	16.35	13.2	10	20.1	5	5	③ 2-1473562-5
RED	16.35	13.2	10	20.1	5	5	③ 1-1473562-5
YELLOW	16.35	13.2	10	20.1	5	5	③ 1473562-5
BLUE	12.35	9.2	6	16.1	3	4	2-1473562-4
RED	12.35	9.2	6	16.1	3	4	1-1473562-4
YELLOW	12.35	9.2	6	16.1	3	4	1473562-4
BLUE	10.35	7.2	4	14.1	2	3	2-1473562-3
RED	10.35	7.2	4	14.1	2	3	1-1473562-3
YELLOW	10.35	7.2	4	14.1	2	3	1473562-3
HOLD HSG COLOR	D	C	B	A	N	POS	PART NUMBER

WIRE RANGE 適合電線断面積 SEE 108-5765 INSULATION DIA 被覆外径

**TE** TE Connectivity

DWN D.MITSUGI 10SEP2001  
 CHK S.MANABE 10SEP2001  
 APVD S.MANABE 10SEP2001

NAME 名称 PLUG ASSY FOR e-CON - RITS CONN. -

PRODUCT SPEC 108-5765  
 APPLICATION SPEC 取付適用規格

SIZE A3 CAGE CODE 00779 DRAWING NO 1473562 RESTRICTED TO -

WEIGHT -

CUSTOMER DRAWING SCALE 4:1 SHEET 1 OF 3 REV C1

DIMENSIONS: 単位: 概 mm	TOLERANCES UNLESS OTHERWISE SPECIFIED: 一般公差
	0 PLC ±0.2
	1 PLC ±3°
	2 PLC ±
	3 PLC ±
	4 PLC ±
	ANGLES ±
MATERIAL 材料 SEE NOTE	FINISH 仕上 SEE NOTE

取扱説明書 (Instruction Sheet): 411-78014

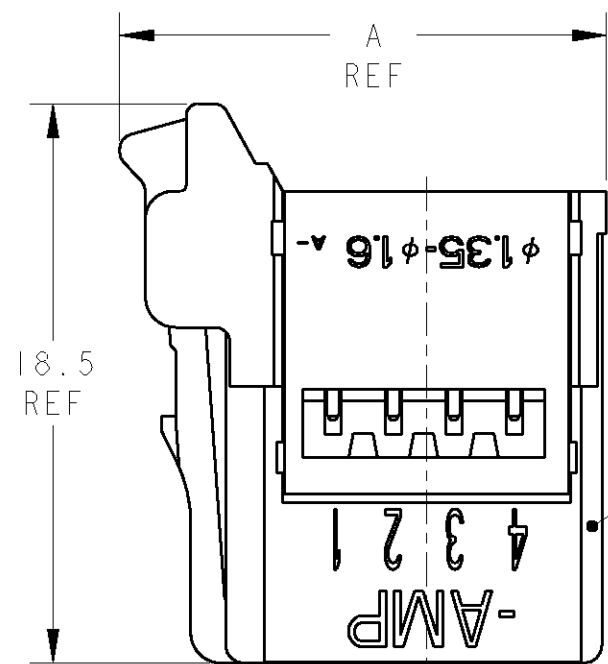
THIS DRAWING IS UNPUBLISHED.

RELEASED FOR PUBLICATION

© COPYRIGHT

ALL RIGHTS RESERVED.

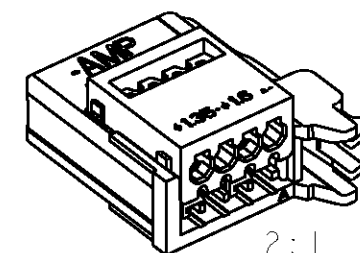
LOC	DIST	REVISIONS					
J	-	P	LTR	DESCRIPTION	DATE	DWN	APVD
		-		SEE SHEET 1			



PLUG HOUSING

4-1473562-4: AS SHOWN  
 4-1473562-4: 本図

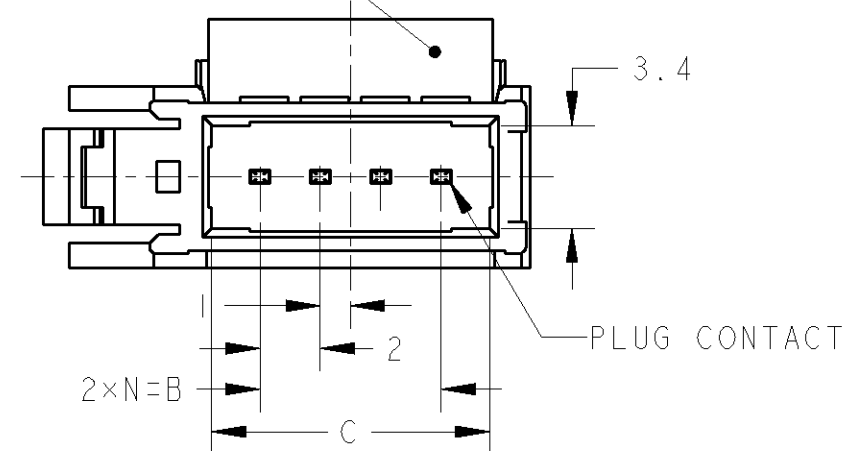
- ① 材料 PLUG HOUSING : ガラス入り熱可塑性ポリエステル樹脂 94V-0 黒  
 HOLD HOUSING : ポリカーボネイト 94V-0 緑色:4-  
 コンタクト : 銅合金
- ② 仕上げ 全面 : ニッケルメッキ下地 1.27μm以上  
 接点部 : 金メッキ 0.2μm以上
- ③ -5(5POS)と-7(7POS)は、回路番号6と8にコンタクトが装着されません



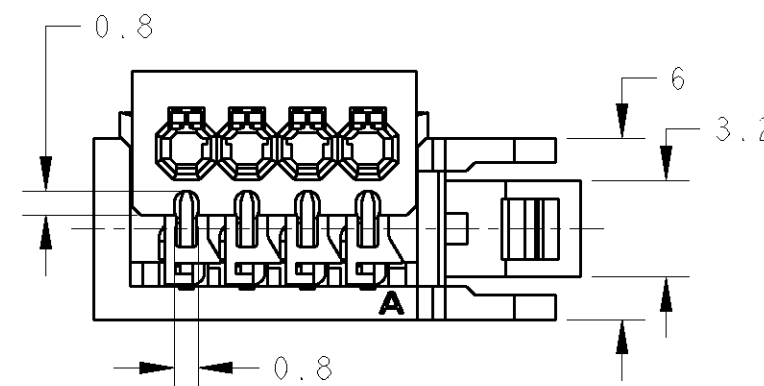
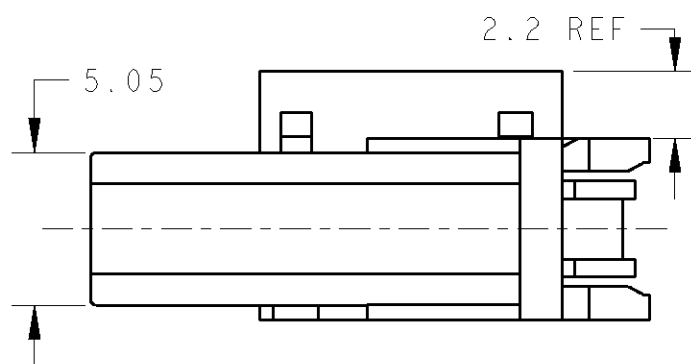
2:1

- ① MATERIAL PLUG HOUSING : GLASS FILLED THERMOPLASTIC, 94V-0, BLACK  
 HOLD HOUSING : PC, 94V-0, GREEN:4-  
 CONTACT : COPPER ALLOY
- ② FINISH UNDERPLATE : Ni PLATING ALL SURFACE 1.27μm MIN  
 CONTACT AREA : Au PLATING 0.2μm MIN
- ③ -5(5POS) AND -7(7POS) DO NOT EQUIP WITH CONTACT OF CIRCUIT NO 6 AND 8.

HOLD HOUSING



PLUG CONTACT



GREEN	20.35	17.2	14	24.1	7	8	4-1473562-8
	20.35	17.2	14	24.1	7	7	③4-1473562-7
	16.35	13.2	10	20.1	5	6	4-1473562-6
	16.35	13.2	10	20.1	5	5	③4-1473562-5
	12.35	9.2	6	16.1	3	4	4-1473562-4
	10.35	7.2	4	14.1	2	3	4-1473562-3
HOLD HSG COLOR	D	C	B	A	N	POS.	PART NUMBER

取扱説明書(Instruction Sheet):411-78014

DIMENSIONS: 単位: 概 mm 		TOLERANCES UNLESS OTHERWISE SPECIFIED: 一般公差 0 PLC ± 1 PLC ±0.2 2 PLC ±3° 3 PLC ± 4 PLC ± ANGLES ±		DWN K.RIKU 26DEC02 CHK D.MITSUGI 26DEC02 APVD S.MANABE 26DEC02	TE Connectivity NAME 名称 PLUG ASSY FOR e-CON - RITS CONN. -	
MATERIAL 材料 SEE NOTE ①		FINISH 仕上 SEE NOTE ②		PRODUCT SPEC 108-5765 APPLICATION SPEC 取付適用規格 - WEIGHT -		
CUSTOMER DRAWING				SCALE 3:1	SHEET 2 OF 3	REV C1

THIS DRAWING IS UNPUBLISHED.

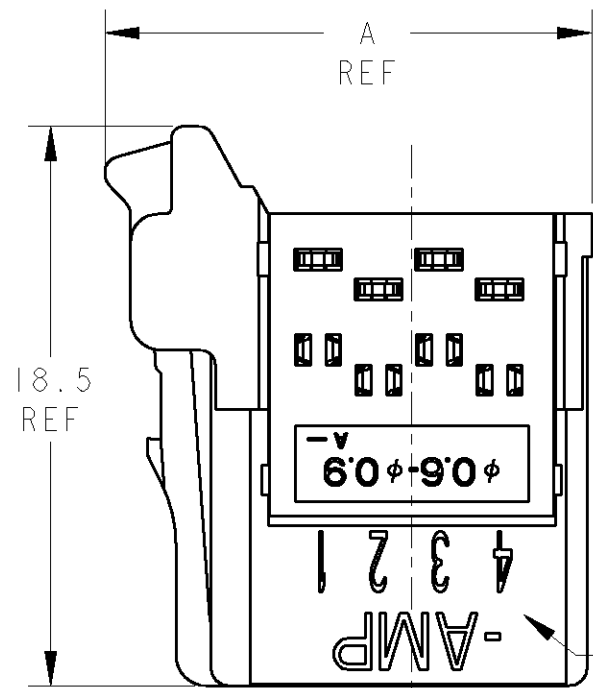
RELEASED FOR PUBLICATION

© COPYRIGHT

ALL RIGHTS RESERVED.

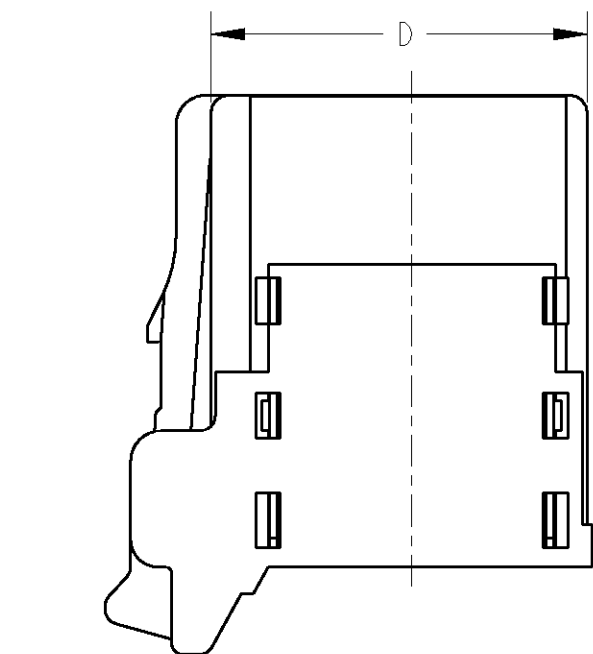
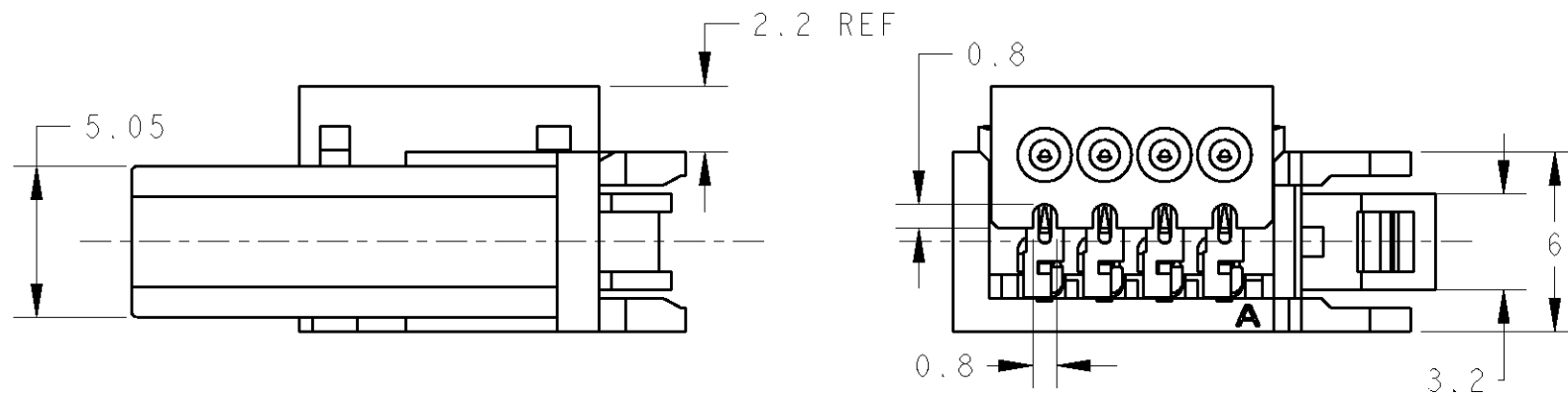
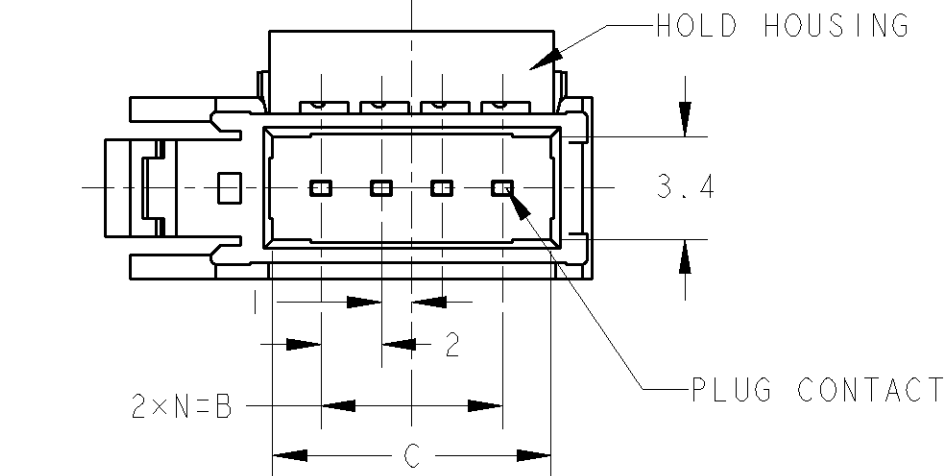
LOC	DIST	REVISIONS					
		P	LTR	DESCRIPTION	DATE	DWN	APVD
J	-			SEE SHEET 1			

3-1473562-4 : AS SHOWN  
 3-1473562-4 : 本図



- ① 材料: PLUG HOUSING : ガラス入り熱可塑性ポリエステル樹脂 94V-0 黒  
 HOLD HOUSING : ポリカーボネイト 94V-0 オレンジ色: 3-  
 コンタクト: 銅合金
- ② メッキ: 全面ニッケル下地: 1.27μm以上  
 接点部: 金メッキ: 0.2μm以上
- ③ -5(5POS)と-7(7POS)は、回路番号6と8にコンタクトが装着されません。

- ① MATERIAL: PLUG HOUSING : GLASS FILLED THERMOPLASTIC, 94V-0, BLACK  
 HOLD HOUSING : PC, 94V-0, ORANGE: 3-  
 CONTACT : COPPER ALLOY
- ② FINISH: UNDERPLATE : Ni 1.27μm MIN  
 CONTACT AREA : Au 0.2μm MIN
- ③ -5(5POS) AND -7(7POS) DO NOT EQUIP WITH CONTACT OF CIRCUIT No. 6 & 8.



ORANGE	20.35	17.2	14	24.1	7	8	3-1473562-8
	20.35	17.2	14	24.1	7	7	③ 3-1473562-7
	16.35	13.2	10	20.1	5	6	3-1473562-6
	16.35	13.2	10	20.1	5	5	③ 3-1473562-5
	12.35	9.2	6	16.1	3	4	3-1473562-4
	10.35	7.2	4	14.1	2	3	3-1473562-3
HOLD HSG COLOR	D	C	B	A	N	POS.	PART NUMBER

取扱説明書 (Instruction Sheet): 411-78010

DIMENSIONS: 単位: 概 mm 		TOLERANCES UNLESS OTHERWISE SPECIFIED: 一般公差 0 PLC ± 0.2 1 PLC ± 0.2 2 PLC ± 3° 3 PLC ± 4 PLC ± ANGLES ±		DWN S. YOKOZEKI 21 JAN '03 CHK D. MITSUGI 30 JAN '03 APVD S. MANABE 30 JAN '03		TE Connectivity NAME PLUG ASSY FOR e-CON - RITS CONN. -	
MATERIAL ① SEE NOTE 材料		FINISH ② SEE NOTE 仕上		PRODUCT SPEC 108-5765 APPLICATION SPEC 取付適用規格			
CUSTOMER DRAWING				SCALE 4:1		SHEET 3 OF 3 REV C1	

## X-ON Electronics

Largest Supplier of Electrical and Electronic Components

*Click to view similar products for [Power to the Board](#) category:*

*Click to view products by [TE Connectivity](#) manufacturer:*

Other Similar products are found below :

[6450171-4](#) [6450552-7](#) [6600323-8](#) [6643429-1](#) [6646040-2](#) [6651939-1](#) [6766604-1](#) [120959-1](#) [1393557-2](#) [1393532-2](#) [1393532-3](#) [1393532-4](#)  
[1393557-1](#) [1600812-5](#) [1-6450861-2](#) [1744132-7](#) [1761122-1](#) [1766250-1](#) [1892109-1](#) [2-6450860-5](#) [2-6450870-0](#) [1-6450161-4](#) [1-6450850-6](#) [1-6450869-6](#) [1645526-2](#) [1-6600130-0](#) [2005243-2](#) [377-0020-11130](#) [TE34-12-16P-F0](#) [5-6450830-6](#) [5646956-4](#) [377-0080-11131A](#) [4-6450830-9](#)  
[4-6600333-3](#) [10125416-4050LF](#) [6600320-3](#) [3-6450860-5](#) [1888123-2](#) [6450166-1](#) [6643978-1](#) [6766605-1](#) [701-15-02109](#) [N11444](#) [6651938-1](#)  
[6450810-7](#) [46437-1112](#) [1-1589677-8](#) [5646956-5](#) [6450813-2](#) [6450129-4](#)