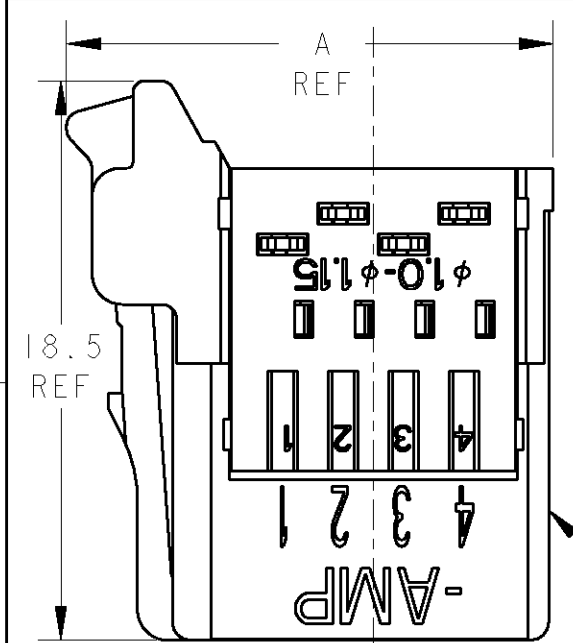


THIS DRAWING IS UNPUBLISHED. RELEASED FOR PUBLICATION
 © COPYRIGHT - ALL RIGHTS RESERVED.

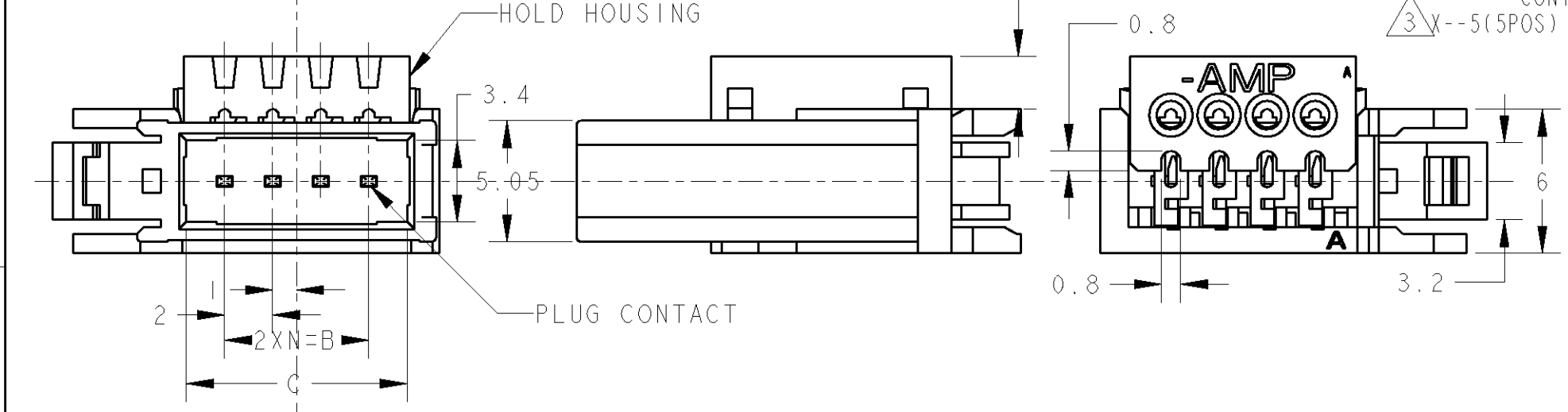
LOC	DIST	REVISIONS					
J	-	P	LTR	DESCRIPTION	DATE	DWN	APVD
		C1		REVISED PER ECO-11-005030	26APR11	RK	HMR



1473562-4: AS SHOWN
 1473562-4: 本図

注記
 ① 材料: PLUG HOUSING: ガラス入り熱可塑性ポリエステル樹脂 94V-0 黒
 HOLD HOUSING: ポリカーボネイト 94V-0 黄色: 0-、赤色: 1-、青色: 2-
 コンタクト: 銅合金
 ② メッキ: 全面Ni下地: 1.27μm以上
 接点部: 0.2μm MIN 金メッキ
 ③ X--5(5POS)と-7(7POS)は、回路番号6と8にコンタクトが装着されません

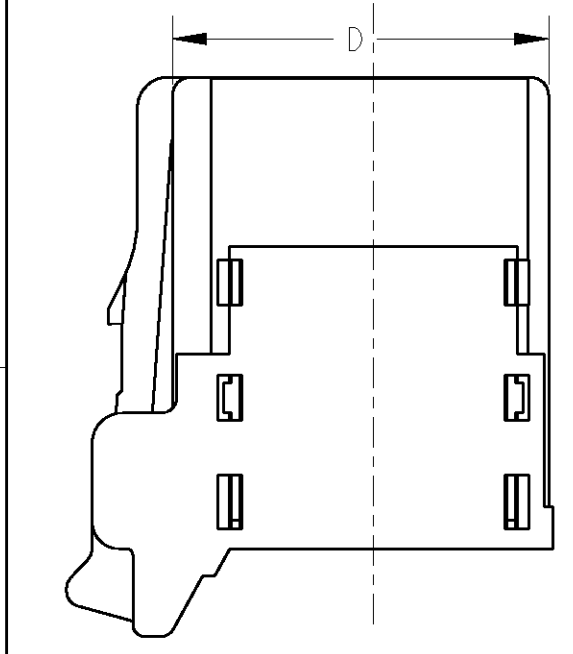
NOTE
 ① MATERIAL: PLUG HOUSING: GLASS FILED THERMOPLASTIC, 94V-0, BLACK
 HOLD HOUSING: PC, 94V-0, YELLOW: 0-, RED: 1-, BLUE: 2-
 CONTACT: COPPER ALLOY
 ② FINISH: UNDERPLATE: Ni 1.27μm min
 CONTACT AREA: Au 0.2μm min
 ③ X--5(5POS) AND X--7(7POS) DO NOT EQUIP WITH CONTACT OF CIRCUIT NO 6 AND 8.



BLUE	20.35	17.2	14	24.1	7	8	2-1473562-8
RED	20.35	17.2	14	24.1	7	8	1-1473562-8
YELLOW	20.35	17.2	14	24.1	7	8	1473562-8
BLUE	20.35	17.2	14	24.1	7	7	③ 2-1473562-7
RED	20.35	17.2	14	24.1	7	7	③ 1-1473562-7
YELLOW	20.35	17.2	14	24.1	7	7	③ 1473562-7
BLUE	16.35	13.2	10	20.1	5	6	2-1473562-6
RED	16.35	13.2	10	20.1	5	6	1-1473562-6
YELLOW	16.35	13.2	10	20.1	5	6	1473562-6
BLUE	16.35	13.2	10	20.1	5	5	③ 2-1473562-5
RED	16.35	13.2	10	20.1	5	5	③ 1-1473562-5
YELLOW	16.35	13.2	10	20.1	5	5	③ 1473562-5
BLUE	12.35	9.2	6	16.1	3	4	2-1473562-4
RED	12.35	9.2	6	16.1	3	4	1-1473562-4
YELLOW	12.35	9.2	6	16.1	3	4	1473562-4
BLUE	10.35	7.2	4	14.1	2	3	2-1473562-3
RED	10.35	7.2	4	14.1	2	3	1-1473562-3
YELLOW	10.35	7.2	4	14.1	2	3	1473562-3
HOLD HSG COLOR	D	C	B	A	N	POS	PART NUMBER

<Table of Insulation Dia (Cable suitable for e-CON.)>
 <被覆外径一覧表(e-CON 適応電線)>

ORANGE	φ0.60~0.90	3-1473562-□	SEE SHEET 3
RED	φ0.90~1.00	1-1473562-□	SEE SHEET 1
YELLOW	φ1.00~1.15	1473562-□	SEE SHEET 1
BLUE	φ1.15~1.35	2-1473562-□	SEE SHEET 1
GREEN	φ1.35~1.60	4-1473562-□	SEE SHEET 2
HOLD HSG COLOR	INSULATION DIA	PART NUMBER	SHEET No



取扱説明書 (Instruction Sheet): 411-78014

DIMENSIONS: 単位: 概 mm 		TOLERANCES UNLESS OTHERWISE SPECIFIED: 一般公差 0 PLC ± 0.2 1 PLC ± 0.2 2 PLC ± 3° 3 PLC ± 4 PLC ± ANGLES ±		DWN D.MITSUGI IOSEP2001 CHK S.MANABE IOSEP2001 APVD S.MANABE IOSEP2001 PRODUCT SPEC 108-5765 APPLICATION SPEC 取付適用規格 WEIGHT -		WIRE RANGE 総合電線断面積 SEE 108-5765 INSULATION DIA 被覆外径 TE TE Connectivity NAME 名称 PLUG ASSY FOR e-CON - RITS CONN. - SIZE A3 CAGE CODE 00779 DRAWING NO 1473562 RESTRICTED TO -	
MATERIAL ① SEE NOTE FINISH ② SEE NOTE		CUSTOMER DRAWING		SCALE 4:1 SHEET 1 OF 3 REV C1			

THIS DRAWING IS UNPUBLISHED.

RELEASED FOR PUBLICATION

© COPYRIGHT

ALL RIGHTS RESERVED.

LOC J

DIST -

REVISIONS

変更

P

LTR

DESCRIPTION

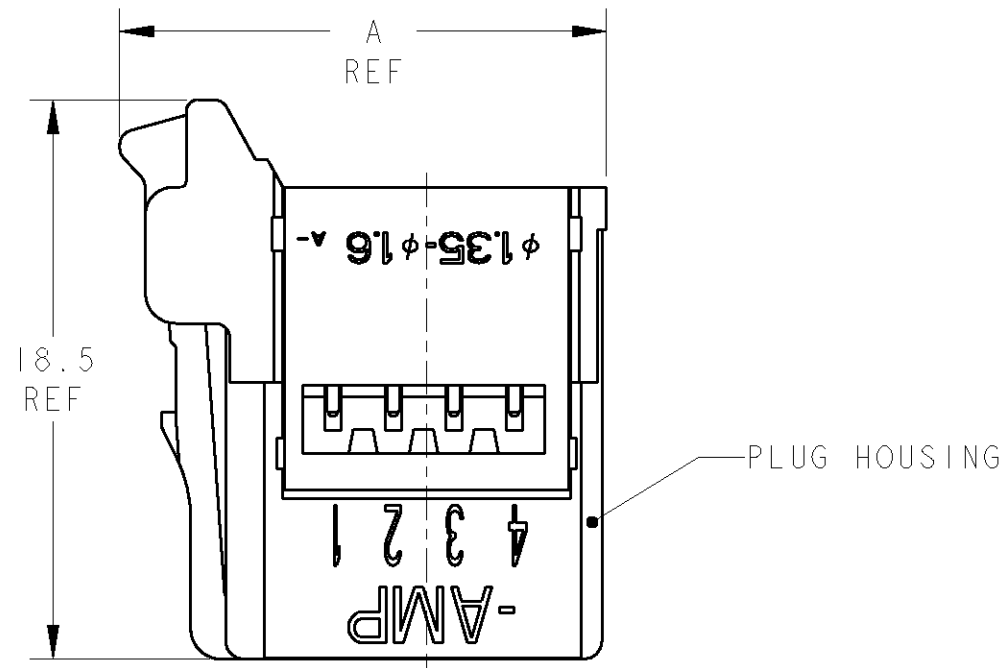
DATE

DWN

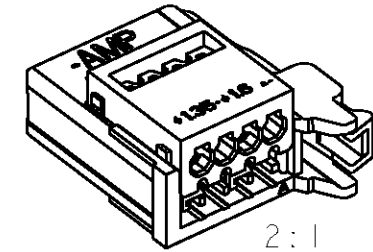
APVD

SEE SHEET 1

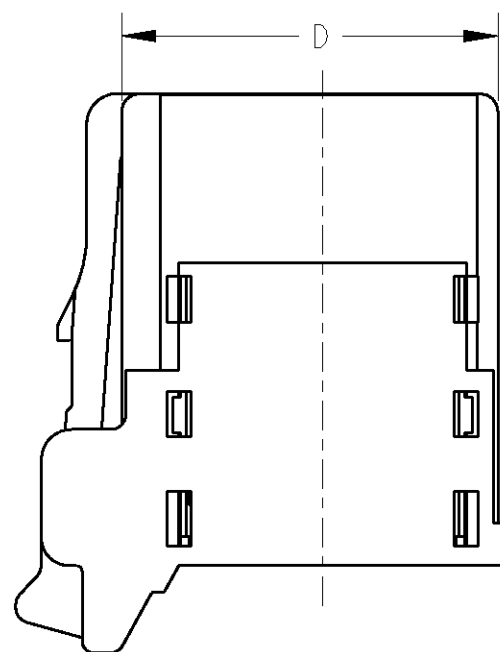
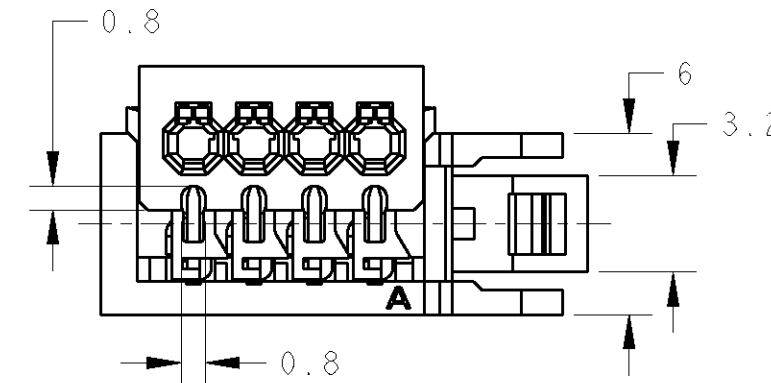
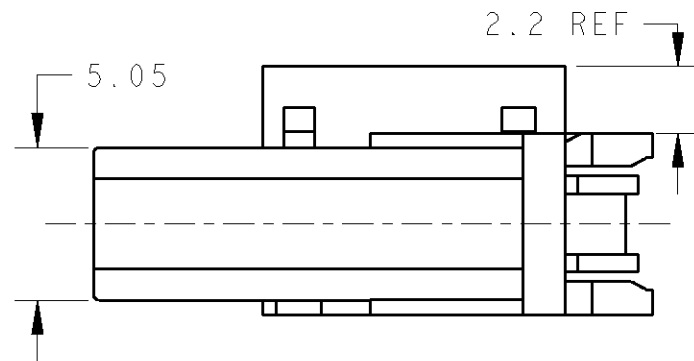
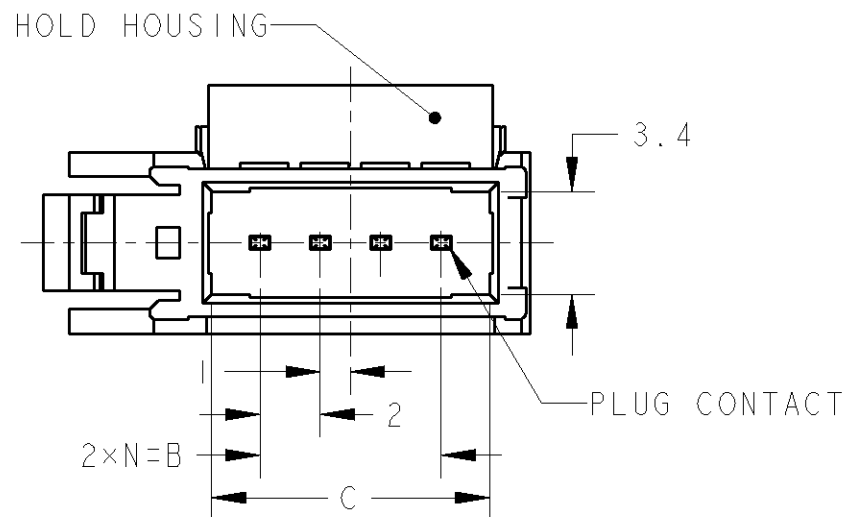
4-1473562-4:AS SHOWN
4-1473562-4:本図



- ① 材料 PLUG HOUSING : ガラス入り熱可塑性ポリエステル樹脂 94V-0 黒
HOLD HOUSING : ポリカーボネイト 94V-0 緑色:4-
コンタクト : 銅合金
- ② 仕上げ 全面 : ニッケルメッキ下地 1.27μm以上
接点部 : 金メッキ 0.2μm以上
- ③ -5(5POS)と-7(7POS)は、回路番号6と8にコンタクトが装着されません




- ① MATERIAL PLUG HOUSING : GLASS FILLED THERMOPLASTIC, 94V-0, BLACK
HOLD HOUSING : PC, 94V-0, GREEN:4-
CONTACT : COPPER ALLOY
- ② FINISH UNDERPLATE : Ni PLATING ALL SURFACE 1.27μm MIN
CONTACT AREA : Au PLATING 0.2μm MIN
- ③ -5(5POS) AND -7(7POS) DO NOT EQUIP WITH CONTACT OF CIRCUIT NO 6 AND 8.



取扱説明書(Instruction Sheet):411-78014

GREEN	20.35	17.2	14	24.1	7	8	4-1473562-8
	20.35	17.2	14	24.1	7	7	③4-1473562-7
	16.35	13.2	10	20.1	5	6	4-1473562-6
	16.35	13.2	10	20.1	5	5	③4-1473562-5
	12.35	9.2	6	16.1	3	4	4-1473562-4
	10.35	7.2	4	14.1	2	3	4-1473562-3
HOLD HSG COLOR	D	C	B	A	N	POS.	PART NUMBER

DIMENSIONS: 単位: 概 mm		TOLERANCES UNLESS OTHERWISE SPECIFIED: 一般公差 0 PLC ± 1 PLC ±0.2 2 PLC ±3° 3 PLC ± 4 PLC ± ANGLES ±		DWN K.RIKU 26DEC02	 TE Connectivity				
MATERIAL ① SEE NOTE		FINISH ② SEE NOTE		CHK D.MITSUGI 26DEC02		NAME PLUG ASSY FOR e-CON - RITS CONN. -			
APVD S.MANABE 26DEC02		PRODUCT SPEC 108-5765		APVD S.MANABE 26DEC02			RESTRICTED TO		
CUSTOMER DRAWING		WEIGHT -		SIZE A3	CAGE CODE 00779	DRAWING NO. 1473562	SCALE 3:1	SHEET 2 OF 3	REV C1

THIS DRAWING IS UNPUBLISHED.

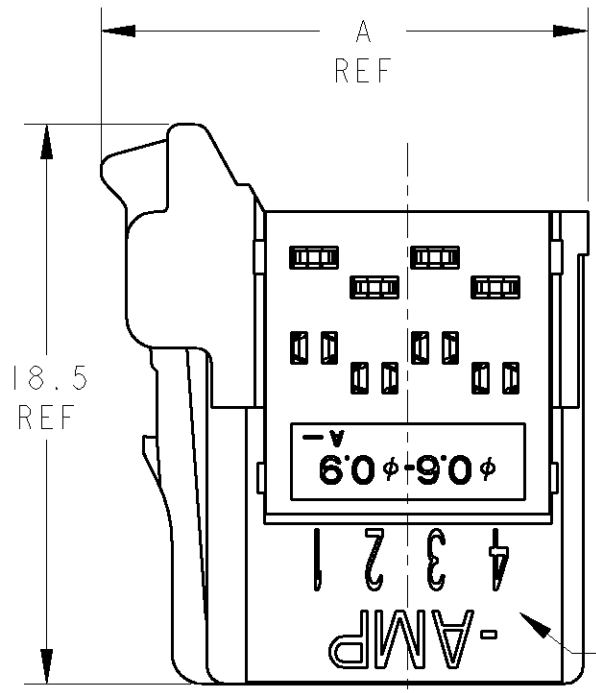
RELEASED FOR PUBLICATION

© COPYRIGHT

ALL RIGHTS RESERVED.

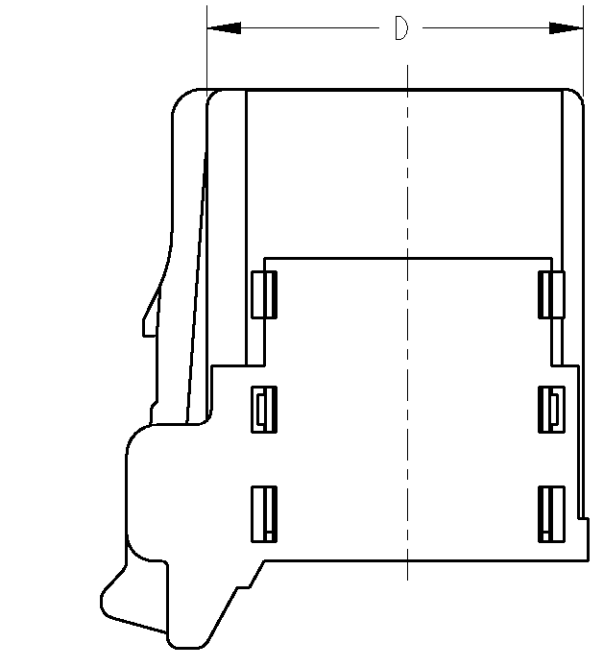
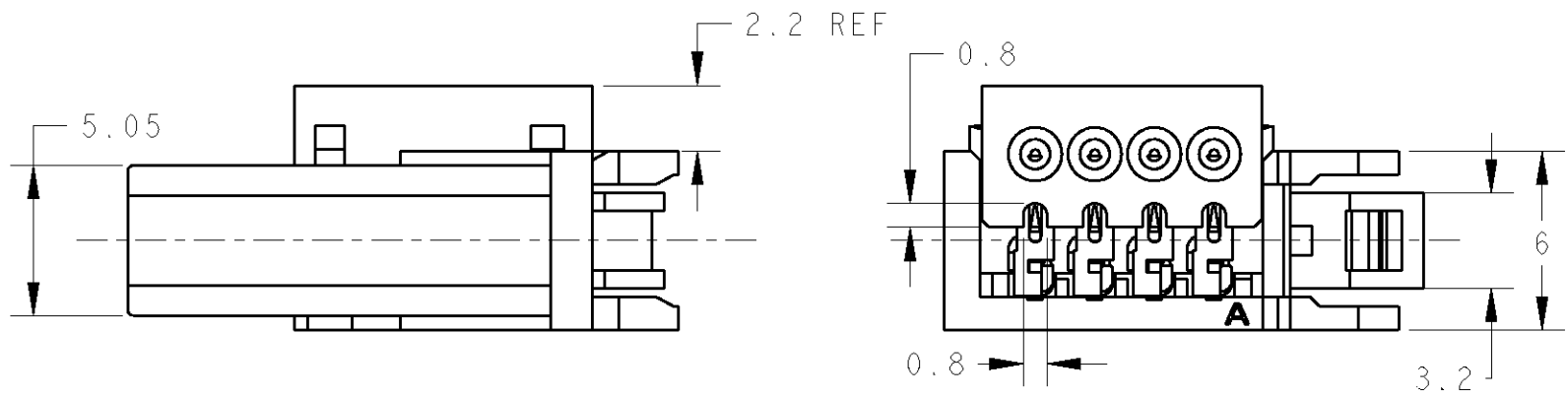
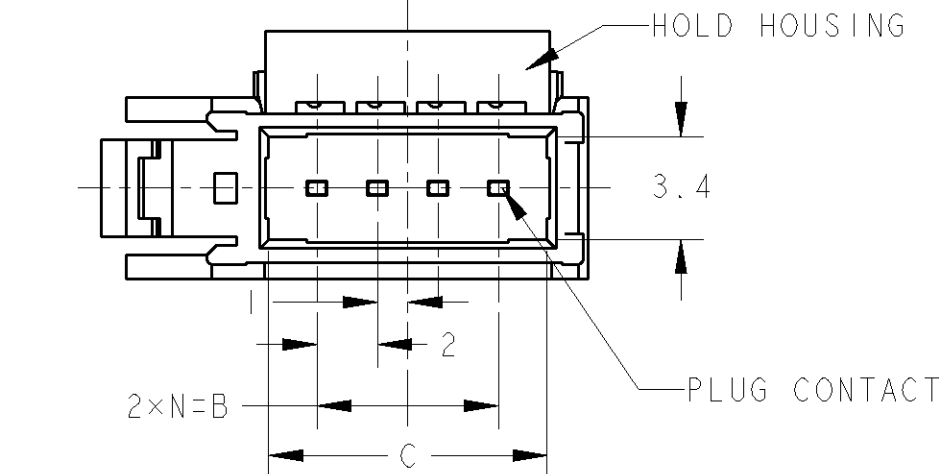
LOC	DIST	REVISIONS					
		P	LTR	DESCRIPTION	DATE	DWN	APVD
J	-			SEE SHEET 1			

3-1473562-4 : AS SHOWN
 3-1473562-4 : 本図



- ① 材料: PLUG HOUSING : ガラス入り熱可塑性ポリエステル樹脂 94V-0 黒
 HOLD HOUSING : ポリカーボネイト 94V-0 オレンジ色: 3-
 コンタクト: 銅合金
- ② メッキ: 全面ニッケル下地: 1.27μm以上
 接点部: 金メッキ: 0.2μm以上
- ③ -5(5POS)と-7(7POS)は、回路番号6と8にコンタクトが装着されません。

- ① MATERIAL: PLUG HOUSING : GLASS FILLED THERMOPLASTIC, 94V-0, BLACK
 HOLD HOUSING : PC, 94V-0, ORANGE: 3-
 CONTACT : COPPER ALLOY
- ② FINISH: UNDERPLATE : Ni 1.27μm MIN
 CONTACT AREA : Au 0.2μm MIN
- ③ -5(5POS) AND -7(7POS) DO NOT EQUIP WITH CONTACT OF CIRCUIT No. 6 & 8.



ORANGE	20.35	17.2	14	24.1	7	8	3-1473562-8
	20.35	17.2	14	24.1	7	7	③ 3-1473562-7
	16.35	13.2	10	20.1	5	6	3-1473562-6
	16.35	13.2	10	20.1	5	5	③ 3-1473562-5
	12.35	9.2	6	16.1	3	4	3-1473562-4
	10.35	7.2	4	14.1	2	3	3-1473562-3
HOLD HSG COLOR	D	C	B	A	N	POS.	PART NUMBER

取扱説明書 (Instruction Sheet): 411-78010

DIMENSIONS: 単位: 概 mm 		TOLERANCES UNLESS OTHERWISE SPECIFIED: 一般公差 0 PLC ± 0.2 1 PLC ± 0.2 2 PLC ± 3° 3 PLC ± 4 PLC ± ANGLES ±		DWN 21 JAN '03 S. YOKOZEKI CHK 30 JAN '03 D. MITSUGI APVD 30 JAN '03 S. MANABE		TE Connectivity	
MATERIAL ① SEE NOTE 材料		FINISH ② SEE NOTE 仕上		PRODUCT SPEC 製品規格 108-5765		NAME 名称 PLUG ASSY FOR e-CON - RITS CONN. -	
WEIGHT -		SIZE A3		CAGE CODE 00779		DRAWING NO 1473562	
CUSTOMER DRAWING		SCALE 4:1		SHEET 3 OF 3		REV C1	

X-ON Electronics

Largest Supplier of Electrical and Electronic Components

Click to view similar products for [Headers & Wire Housings](#) category:

Click to view products by [TE Connectivity](#) manufacturer:

Other Similar products are found below :

[892-18-020-10-001101](#) [58102-G61-06LF](#) [582553-1](#) [0009485154](#) [009176003701906](#) [0050291907](#) [LY20-4P-DT1-P1E-BR](#) [02.125.8002.8](#)
[609-3404](#) [61062-3](#) [61082-181009](#) [622-3653LF](#) [63453-116](#) [636-1030](#) [636-1427](#) [636-3427](#) [636-4007](#) [641938-9](#) [641991-4](#) [644827-2](#) [65817-](#)
[010LF](#) [65817-015LF](#) [65863-015LF](#) [66207-023LF](#) [67095-007LF](#) [67601157](#) [68645-018](#) [68648-049](#) [70.362.1628.0](#) [70-4210](#) [70-4226B](#) [70-](#)
[4853B](#) [707-5020](#) [707-5028](#) [71.350.2428.0](#) [71918-208LF](#) [71961-016LF](#) [733-134](#) [733-162](#) [754199-000](#) [760-3052](#) [79531-3000](#) [FCN-](#)
[360C032-B](#) [FCN-367T-T012/H](#) [FCN-723D010/2](#) [80.063.4001.1](#) [800-90-010-10-002000](#) [801-43-002-10-013000](#) [801-43-006-10-002000](#)
[801-93-011-10-001000](#)