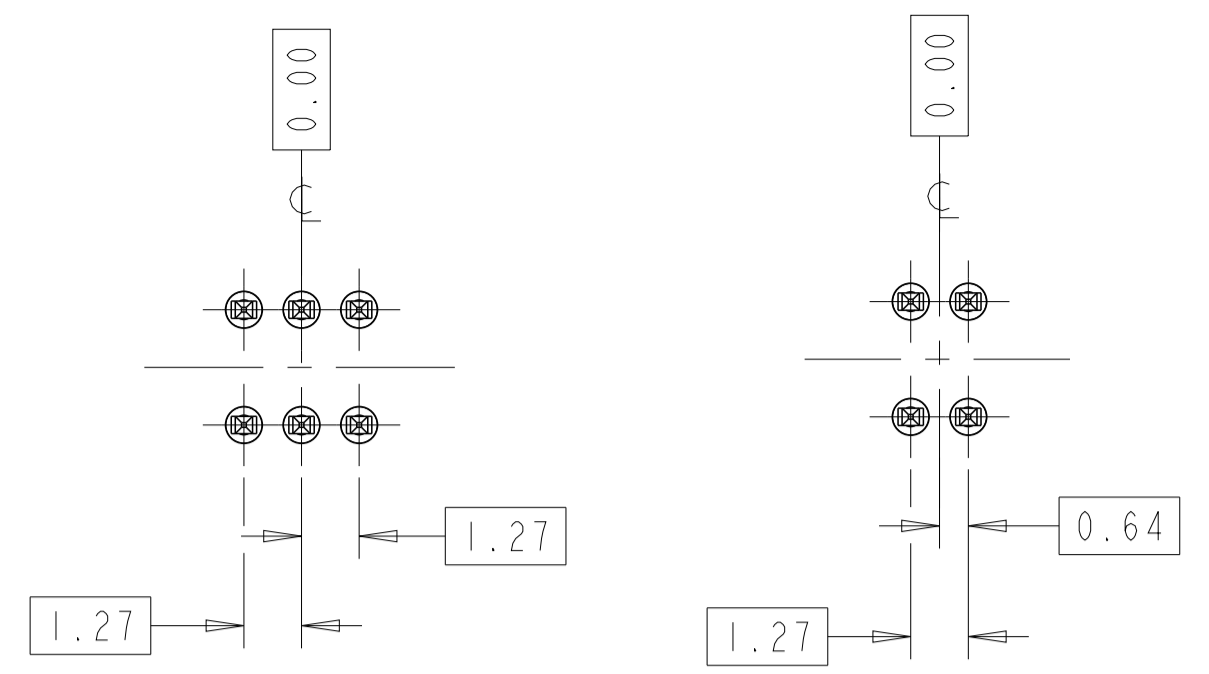
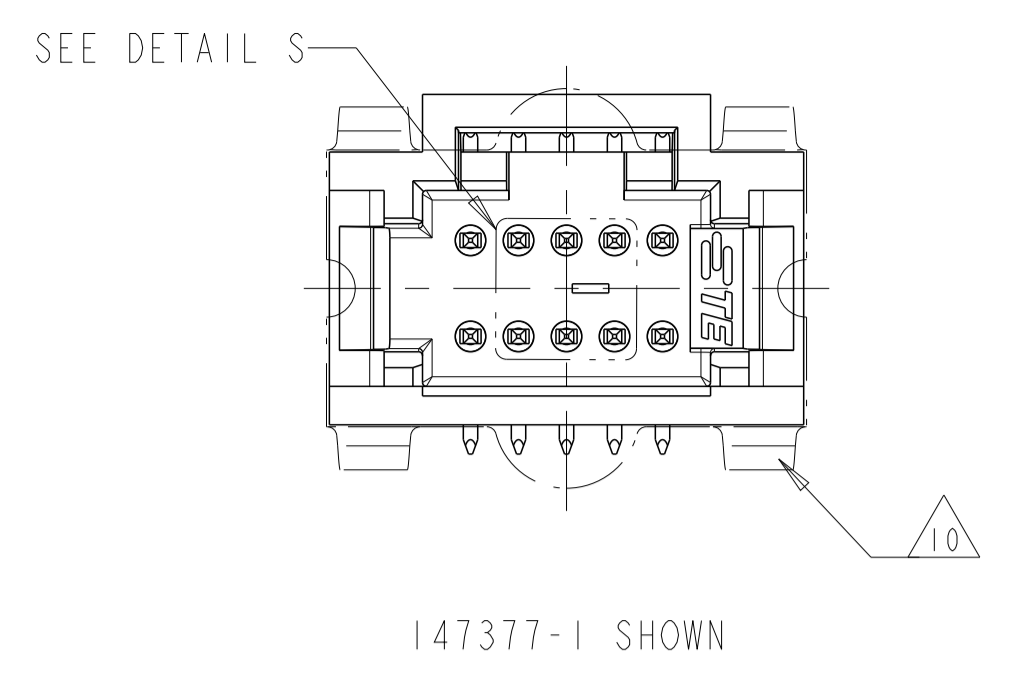
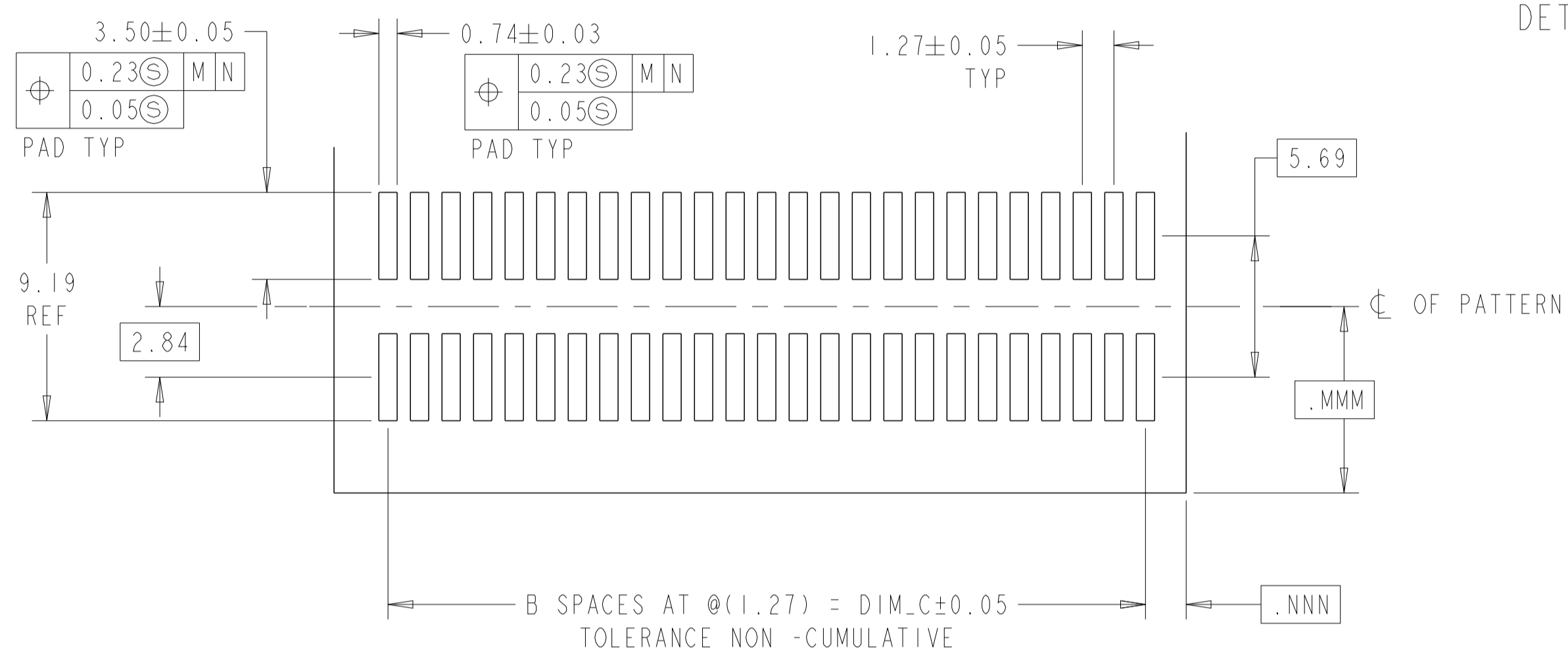
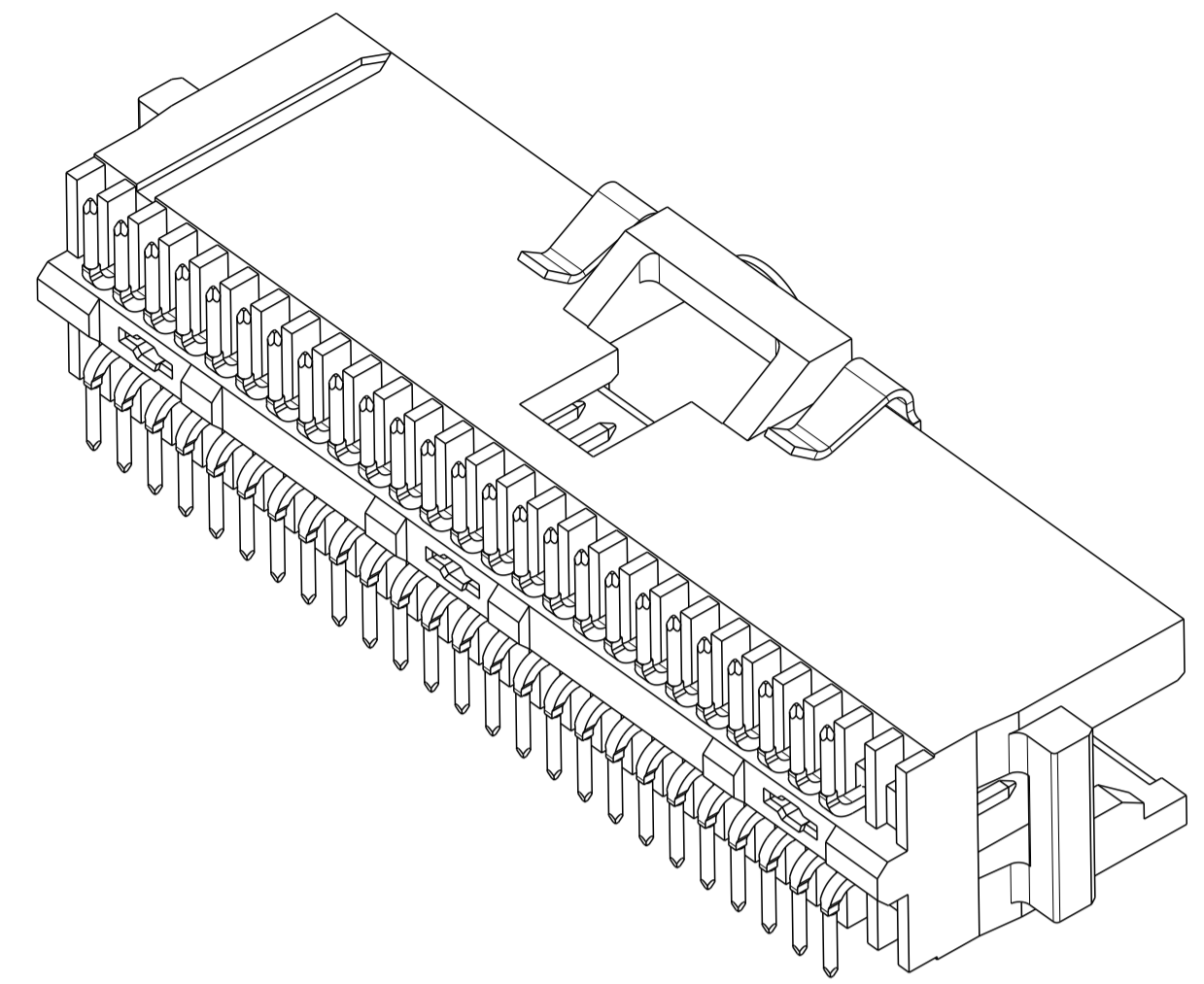


- 1 0.76µm GOLD IN LOCALIZED PLATE AREA, 3.81µm TIN-LEAD ON SOLDER TAILS ALL OVER 1.27µm NICKEL.
- 2 CIRCUIT IDENTIFICATION FEATURE OMITTED ON 10 POSITION HEADER ASSEMBLIES.
- 3 DIMENSION APPLIES AT BASE OF SHROUD.
- 4 NOTE DELETED.
- 5 NOTE DELETED.
- 6 VACUUM COVER DESIGNED FOR 4mm DIA NOZZLE. VACUUM COVER TO BE REMOVED AFTER SOLDERING.
- 7 PACKAGED IN TAPE AND REEL PER EIA-481 SPECIFICATIONS. SEE CHART FOR TAPE WIDTHS.
- 8 6.75mm MIN TARGET AREA FOR VACUUM PICK-UP.
- 9 HOUSING: LCP  
CONTACT: COPPER ALLOY  
VACUUM COVER: ALUMINUM.
- 10 VACUUM COVER SHOWN IN PHANTOM LINE.
- 11 0.76µm GOLD IN LOCALIZED PLATE AREA, 3.81µm TIN ON SOLDER TAILS, ALL OVER 1.27µm NICKEL.
- 12 NOTE DELETED.
- 13 NO CIRCUIT IDENTIFICATION FEATURE ON 10,12,20,24 AND 30 POSITION PARTS.
- 14 FINISH: 0.025µm MIN GOLD ON GOLD PLATED AREA, 3.81-6.35µm MATTE TIN-LEAD ON TIN PLATED AREA. UNDER PLATING TO BE 1.27-2.54µm NICKEL ON ENTIRE CONTACT.
- 15 FINISH: 0.025µm MIN GOLD ON GOLD PLATED AREA, 3.81-6.35µm MATTE TIN ON TIN PLATED AREA. UNDER PLATING TO BE 1.27-2.54µm NICKEL ON ENTIRE CONTACT.
- 16 PRELIMINARY - NOT FOR PRODUCTION.

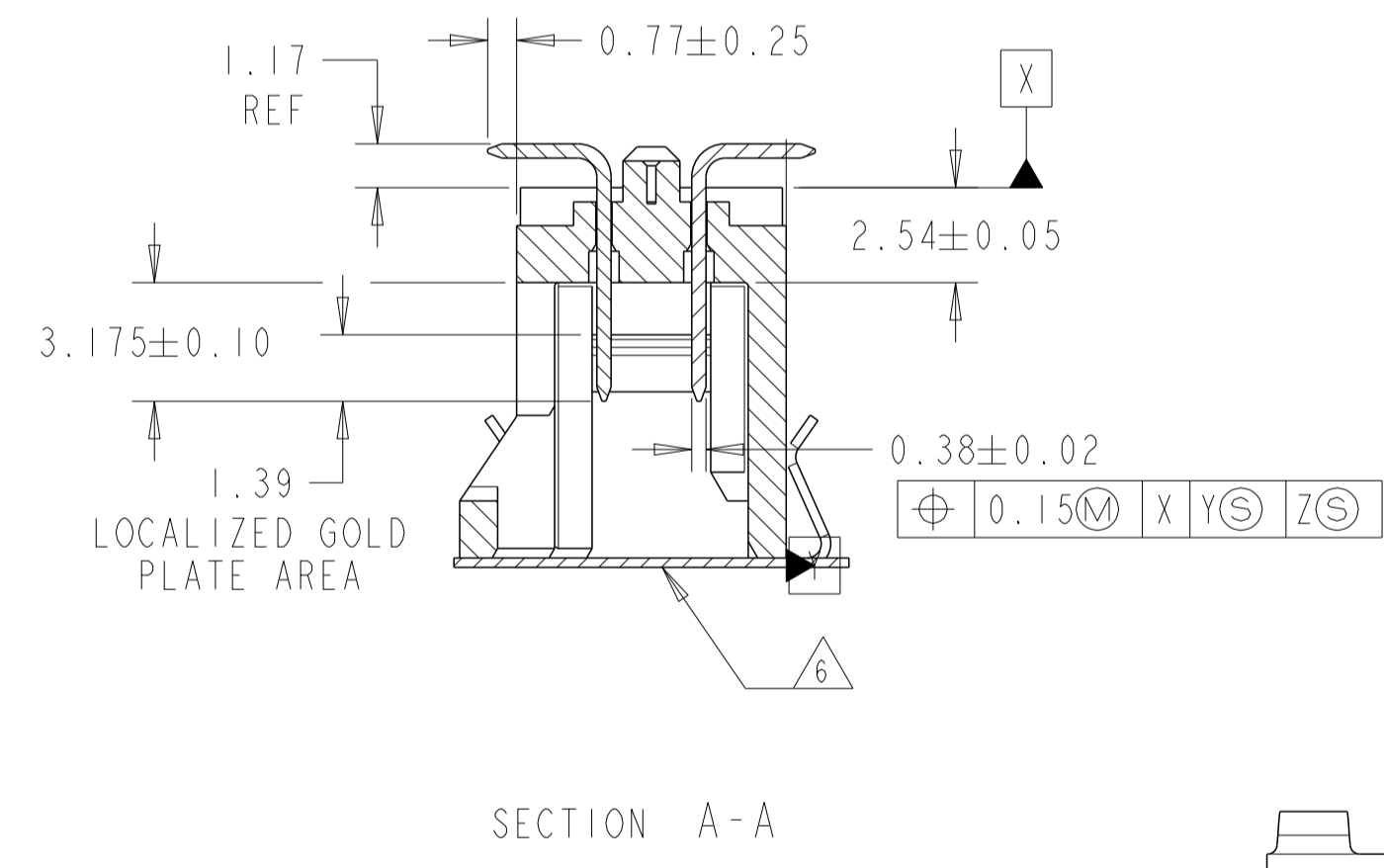
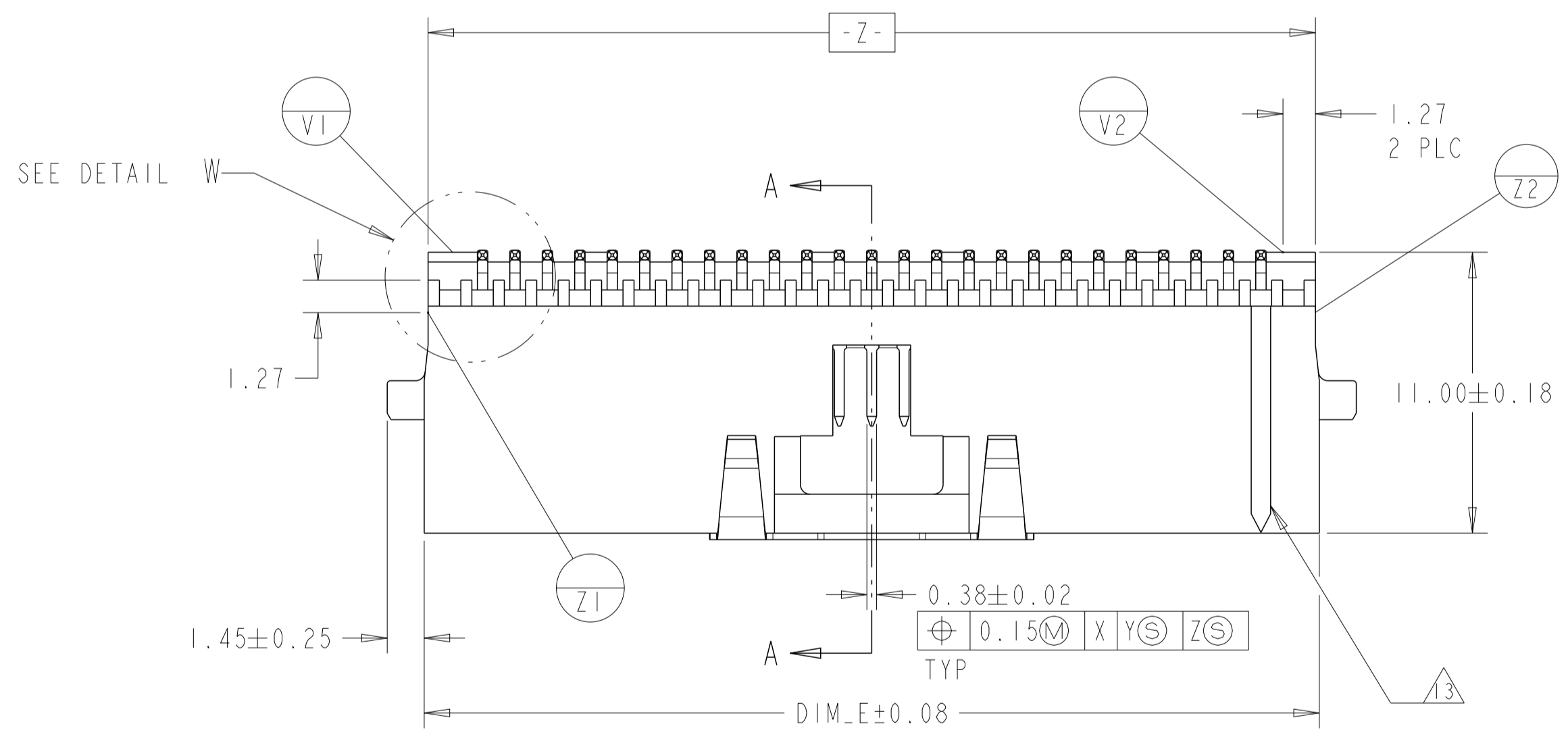


BASIC DIMENSIONS FOR EVEN NUMBER OF SPACES (SEE TABLE)  
BASIC DIMENSIONS FOR ODD NUMBER OF SPACES (SEE TABLE)

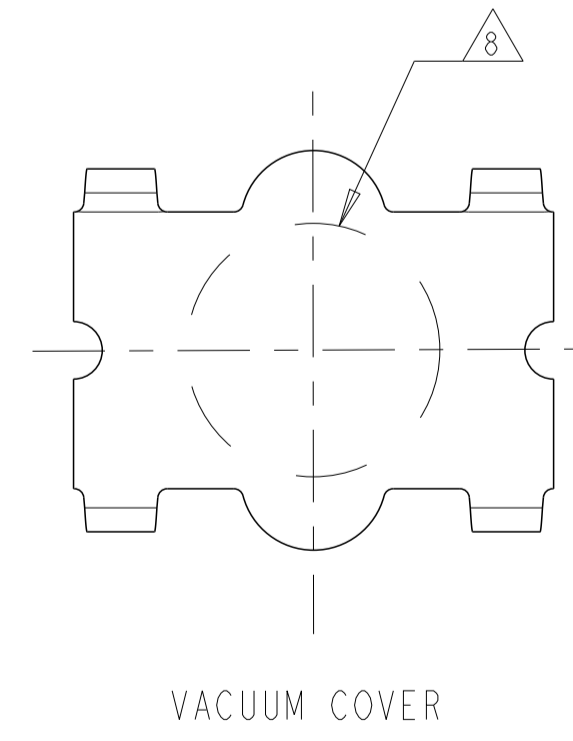
REVISIONS				
P	LTN	DESCRIPTION	DATE	APP'D
H		REDRAWN/REVISED PER ECO 17-001755	17MAY2017	BDA JO



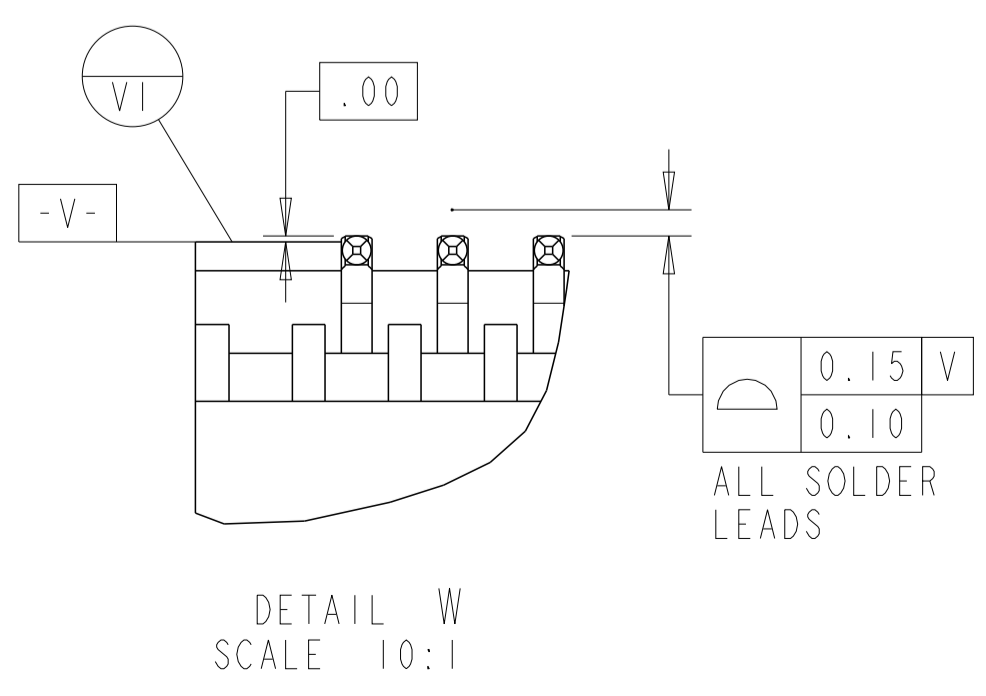
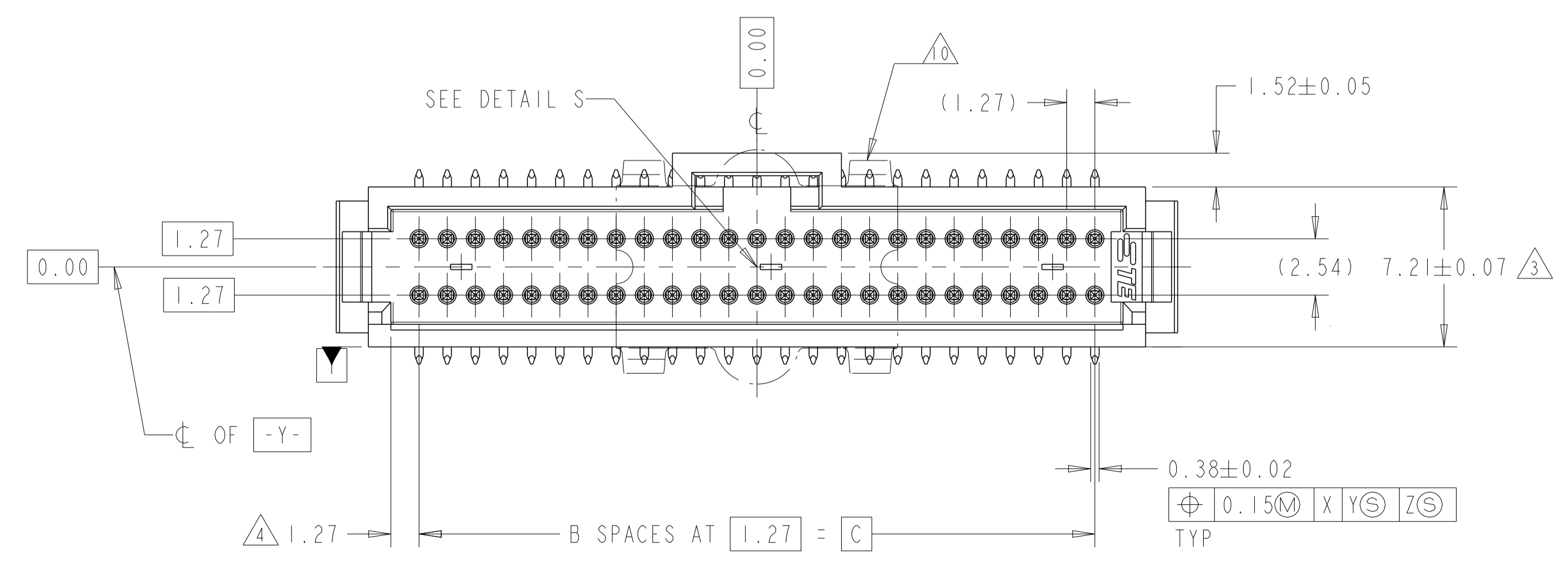
RECOMMENDED BOARD LAYOUT



SECTION A-A



VACUUM COVER



FINISH	TAPE WIDTH	DIM_C	B SPACES	E	NO OF POSN	PART NUMBER
15	56mm	26.67	21	31.24	44	8-147377-0
	44mm	13.97	11	18.54	24	7-147377-9
	88mm	62.23	49	66.80	100	7-147377-8
	88mm	49.53	39	54.10	80	7-147377-7
	72mm	36.83	29	41.40	60	7-147377-6
	56mm	30.48	24	35.05	50	7-147377-5
	56mm	24.13	19	28.70	40	7-147377-4
	56mm	17.78	14	22.35	30	7-147377-3
	44mm	11.43	9	16.00	20	7-147377-2
	32mm	5.08	4	-	10	7-147377-1
	56mm	26.67	21	31.24	44	6-147377-0
	44mm	13.97	11	18.54	24	5-147377-9
	88mm	62.23	49	66.80	100	5-147377-8
	88mm	49.53	39	54.10	80	5-147377-7
	72mm	36.83	29	41.40	60	5-147377-6
	56mm	30.48	24	35.05	50	5-147377-5
56mm	24.13	19	28.70	40	5-147377-4	
56mm	17.78	14	22.35	30	5-147377-3	
44mm	11.43	9	16.00	20	5-147377-2	
32mm	5.08	4	-	10	5-147377-1	
14	56mm	26.67	21	31.24	44	3-147377-0
	44mm	13.97	11	18.54	24	2-147377-9
	88mm	62.23	49	66.80	100	2-147377-8
	88mm	49.53	39	54.10	80	2-147377-7
	72mm	36.83	29	41.40	60	2-147377-6
	56mm	30.48	24	35.05	50	2-147377-5
	56mm	24.13	19	28.70	40	2-147377-4
	56mm	17.78	14	22.35	30	2-147377-3
	44mm	11.43	9	16.00	20	2-147377-2
	32mm	5.08	4	-	10	2-147377-1
	56mm	26.67	21	31.24	44	1-147377-0
	44mm	13.97	11	18.54	24	147377-9
	88mm	62.23	49	66.80	100	147377-8
	88mm	49.53	39	54.10	80	147377-7
	72mm	36.83	29	41.40	60	147377-6
	56mm	30.48	24	35.05	50	147377-5
56mm	24.13	19	28.70	40	147377-4	
56mm	17.78	14	22.35	30	147377-3	
44mm	11.43	9	16.00	20	147377-2	
32mm	5.08	4	-	10	147377-1	

THIS DRAWING IS A CONTROLLED DOCUMENT. DIMENSIONS: mm. TOLERANCES UNLESS OTHERWISE SPECIFIED: 0 PLC ±.5, 1 PLC ±0.5, 2 PLC ±0.13, 3 PLC ±.5, 4 PLC ±.5, ANGLES ±.1. MATERIAL: LCP. FINISH: SEE NOTES. THIS DRAWING IS A CONTROLLED DOCUMENT. DIMENSIONS: mm. TOLERANCES UNLESS OTHERWISE SPECIFIED: 0 PLC ±.5, 1 PLC ±0.5, 2 PLC ±0.13, 3 PLC ±.5, 4 PLC ±.5, ANGLES ±.1. MATERIAL: LCP. FINISH: SEE NOTES.

OWN: RAVI S 17MAY2017  
CHK: J. OLSON 17MAY2017  
APP'D: J. OLSON 17MAY2017  
NAME: J. OLSON  
PRODUCT SPEC: 108-1093  
APPLICATION SPEC: 114-25035  
WEIGHT: -  
CUSTOMER DRAWING

TE Connectivity  
HEADER ASSEMBLY, VERTICAL, SHROUDED, DUAL ROW W/SIDE AND END LATCHES W/O HOLD DOWNS  
SIZE: A1  
CAGE CODE: 00779  
DRAWING NO: 147377  
RESTRICTED TO: -  
SCALE: 5:1 SHEET: 1 OF 1 REV: H

## X-ON Electronics

Largest Supplier of Electrical and Electronic Components

*Click to view similar products for [Board to Board & Mezzanine Connectors](#) category:*

*Click to view products by [TE Connectivity](#) manufacturer:*

Other Similar products are found below :

[589158040000018](#) [MDF7C-18P-2.54DSA\(55\)](#) [FCN-230C068-11](#) [FCN-268F012-G/BD](#) [FCN-268F036-G/BD](#) [FCN-268M012-G/0D](#) [FCN-268M024-G/1D](#) [FCN-723J004/1](#) [MIS-048-01-F-D-DP-K](#) [832-10-034-10-001000](#) [FX4C-80S-1.27DSA](#) [FCN-214Q030-G/0](#) [FCN-234P048-G/0](#) [FCN-235D050-G/C](#) [210-93-314-41-105000](#) [2-22603-0](#) [MDF7-40DP-2.54DSA\(55\)](#) [AXG720047](#) [5031084030](#) [MIT-114-03-F-D-K](#) [55323-1519](#) [DF33-2P-3.3DSA\(24\)](#) [YFT-20-05-H-03-SB-K](#) [503308-3040](#) [026-6203-PDB](#) [027-6203-PDB](#) [069159702701000](#) [10123981-102LF](#) [101A10019X](#) [55650-0588-C](#) [68682-310LF](#) [68684-306](#) [75140-7012](#) [87471-650](#) [YTW-30-07-H-Q-410-140](#) [194261-1](#) [FCN-268F024-G0D](#) [10124054-515LF](#) [68685-603](#) [8-1616154-3](#) [MIS-019-01-F-D](#) [FCN-268M024-G/3D](#) [20021832-06016C1LF](#) [KX15-20KLDL-E1000E](#) [MDF7-16DP-2.54DSA\(55\)](#) [AXE810124](#) [FCN-214J100-G/0](#) [FCN-230C068-E/S](#) [AXE812124](#) [AXE816124](#)