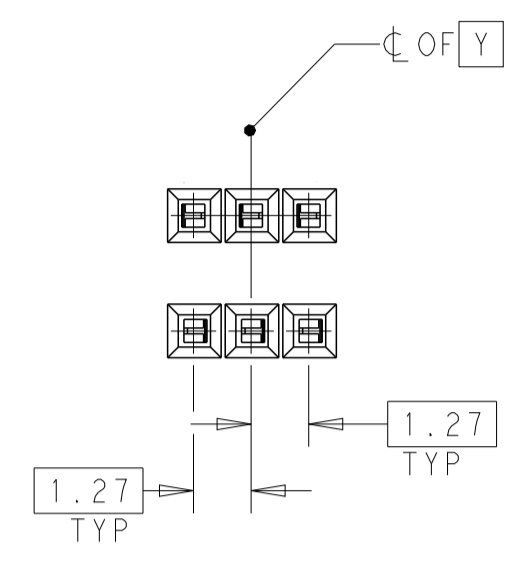
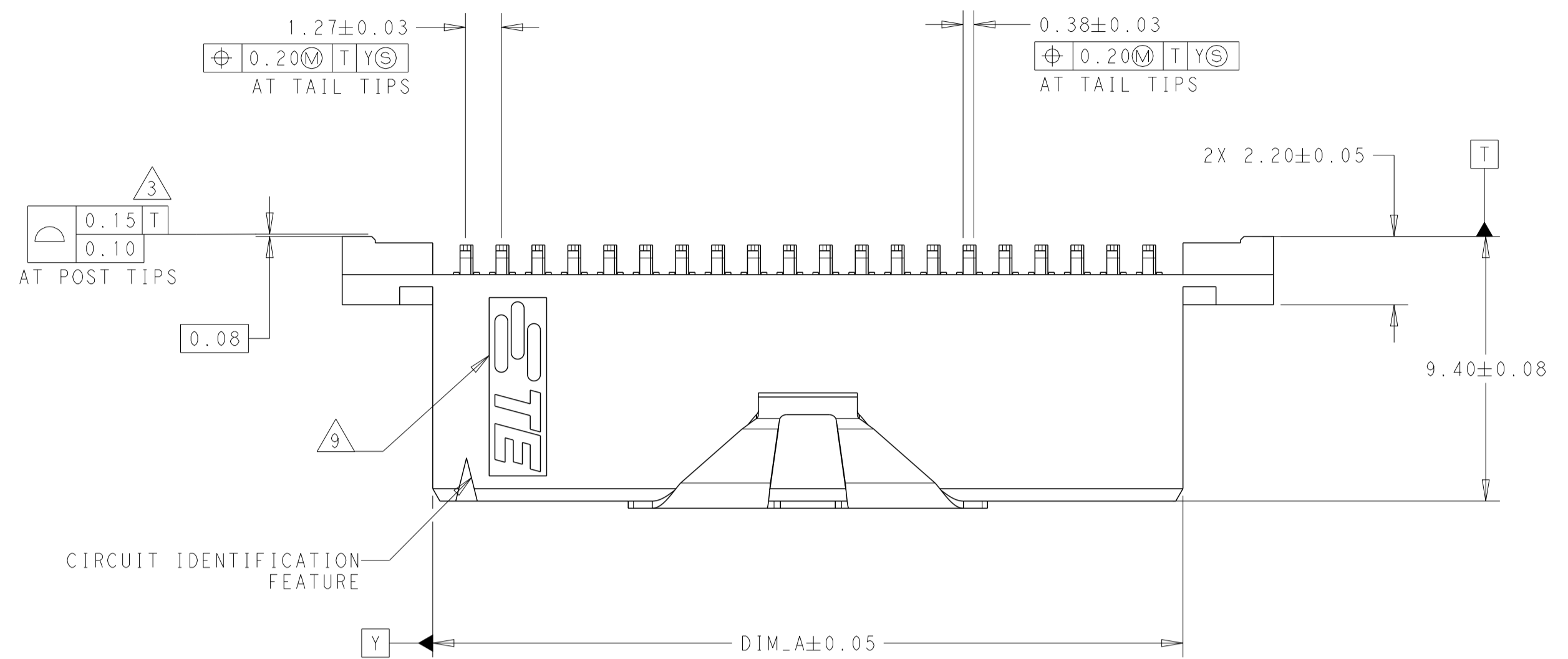
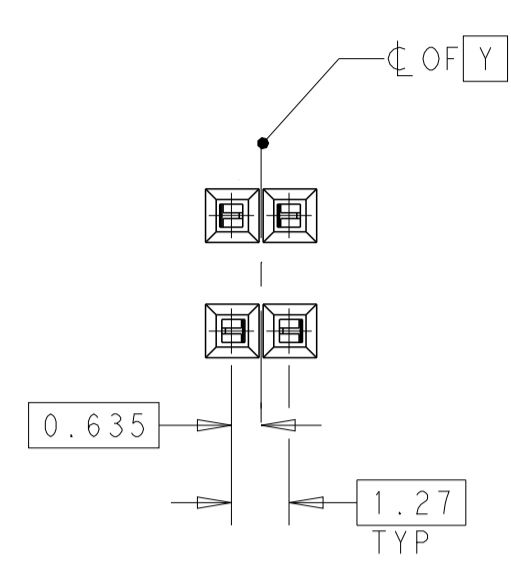


| REVISIONS |     |                                   |           |       |
|-----------|-----|-----------------------------------|-----------|-------|
| P         | LTN | DESCRIPTION                       | DATE      | APPD  |
| D         |     | REDRAWN/REVISED PER ECO-17-001757 | 05DEC2017 | KS JO |

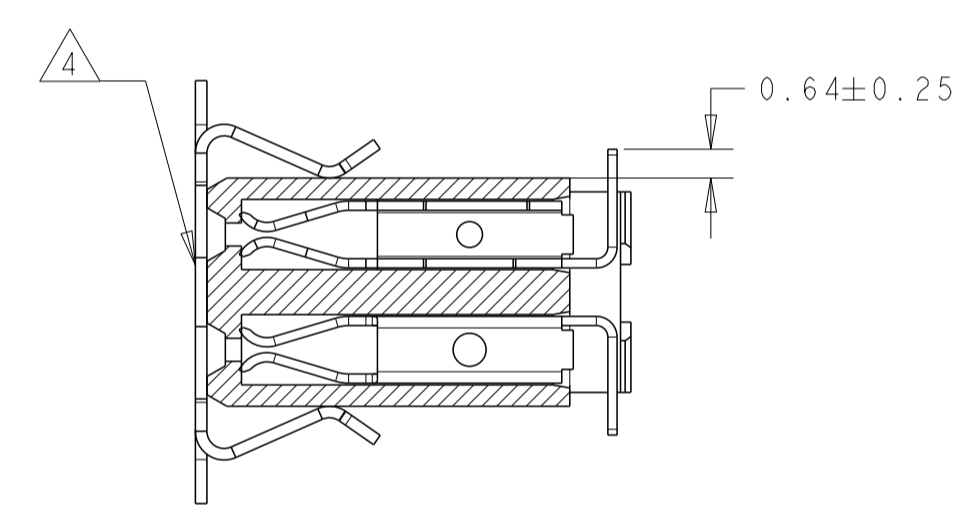
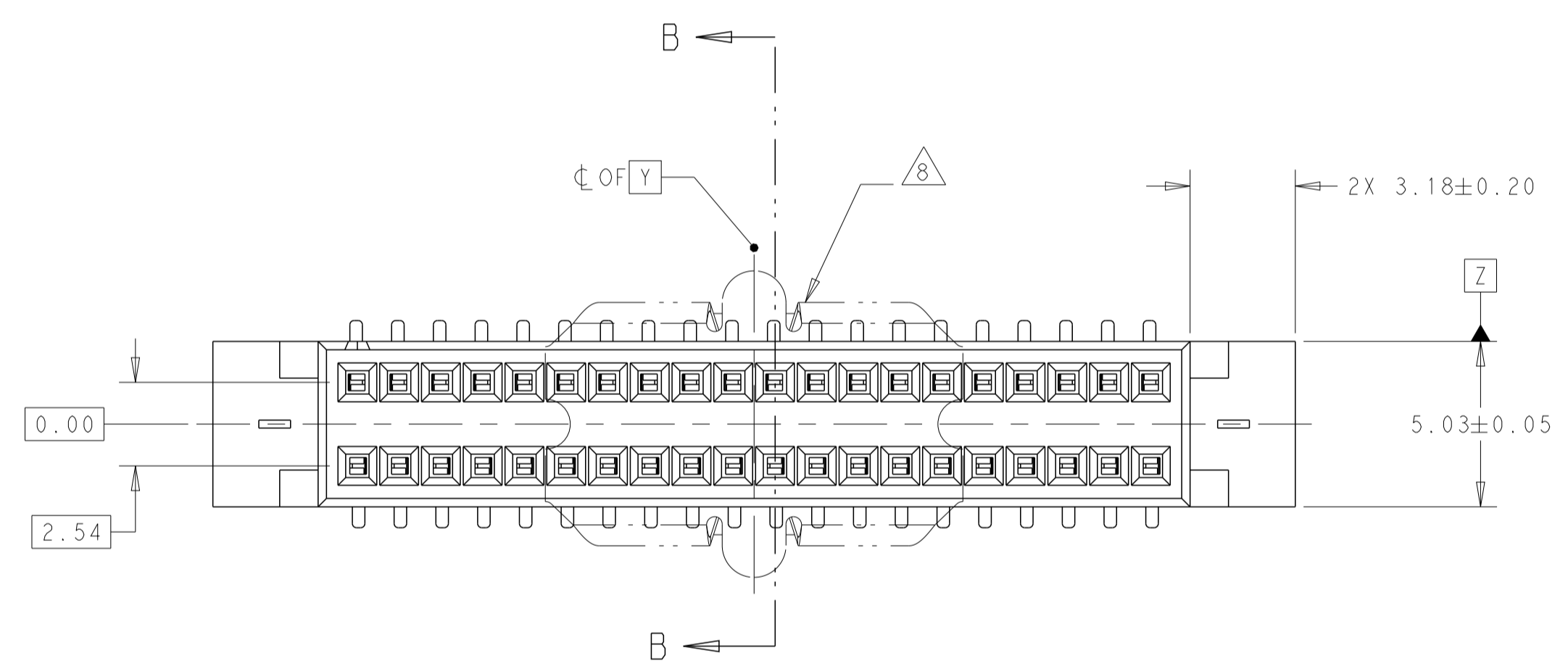


BASIC DIMENSIONS FOR EVEN NUMBER OF SPACES (SEE TABLE)

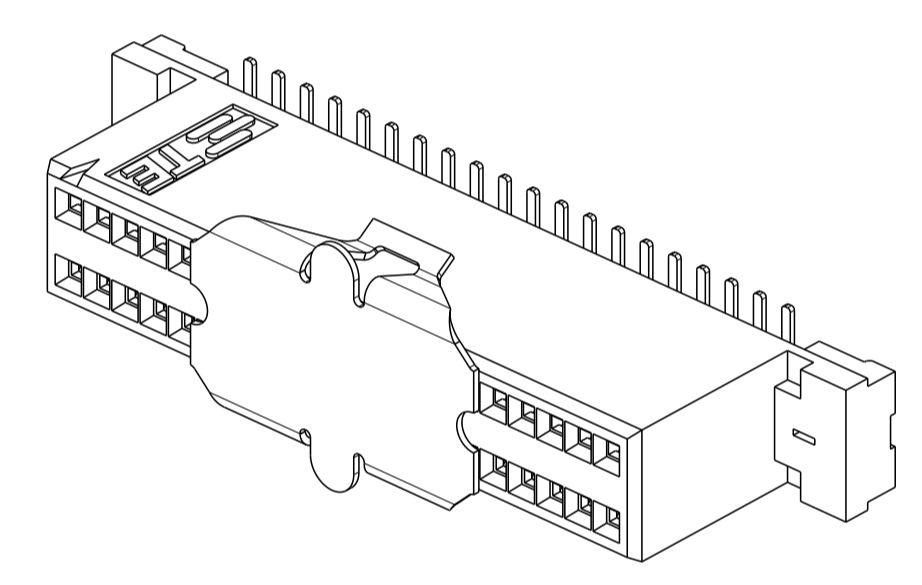


BASIC DIMENSIONS FOR ODD NUMBER OF SPACES (SEE TABLE)

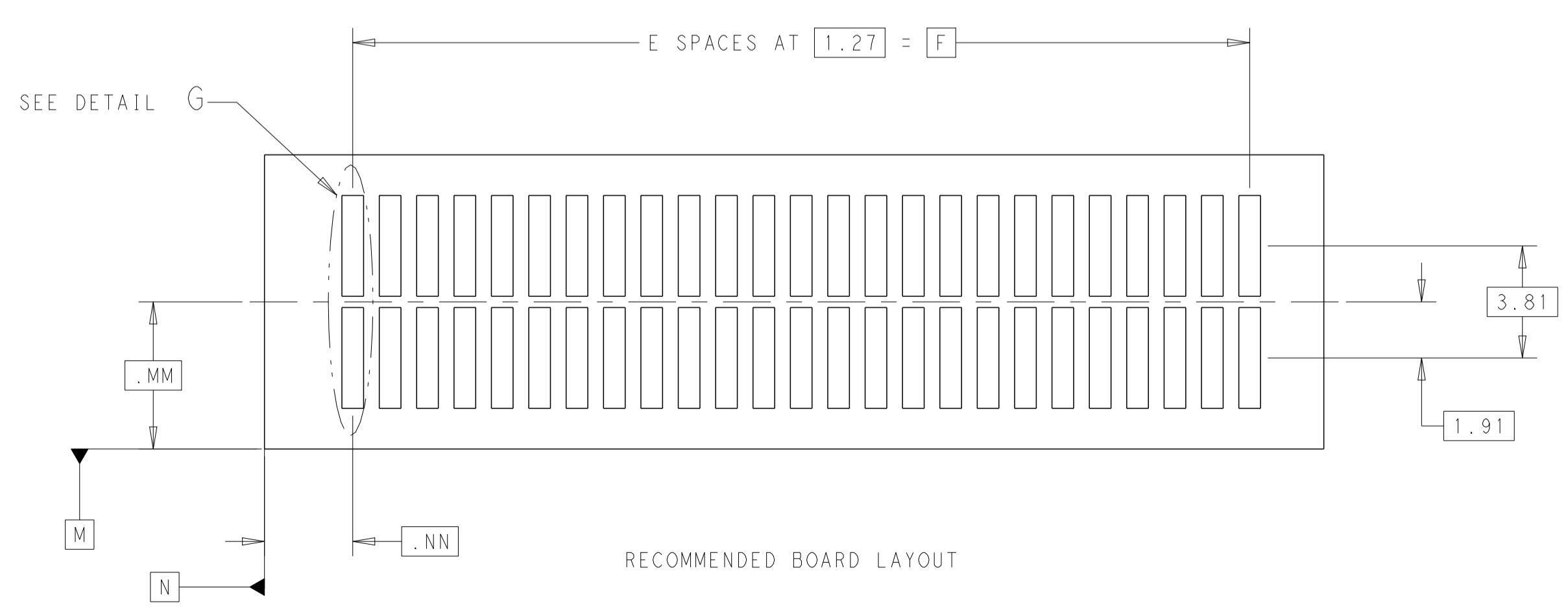
1. 0.76µm GOLD IN LOCALIZED PLATE ARE, 3.81µm TIN-LEAD ON SOLDER TAILS ALL OVER 1.27µm NICKEL.
2. NOTE DELETED.
3. REFER TO NO. OF POSN. IN CHART FOR NUMBER OF SURFACES WHICH ARE COPLANAR.
4. VACUUM COVER DESIGNED FOR 4mm DIA NOZZLE. VACUUM COVER TO BE REMOVED AFTER SOLDERING.
5. PACKGED IN TAPE & REEL PER EIA-481 SPECIATIONS. SEE CHART FOR TAPE WIDTHS.
6. 6.75mm MIN TARGET AREA FOR VACUUM PICK-UP.
7. HOUSING: BLACK THERMOPLASTIC, CONTACT: PHOSPHOR BRONZE, VACUUM COVER: ALUMINUM.
8. VACUUM COVER SHOWN IN PHANTOM LINE.
9. TE LOGO PRESENCE AND LOCATION OPTIONAL.
10. 0.76µm GOLD IN LOCALIZED PLATE ARE, 3.81µm TIN ON SOLDER TAILS ALL OVER 1.27µm NICKEL.
11. NOTE DELETED.



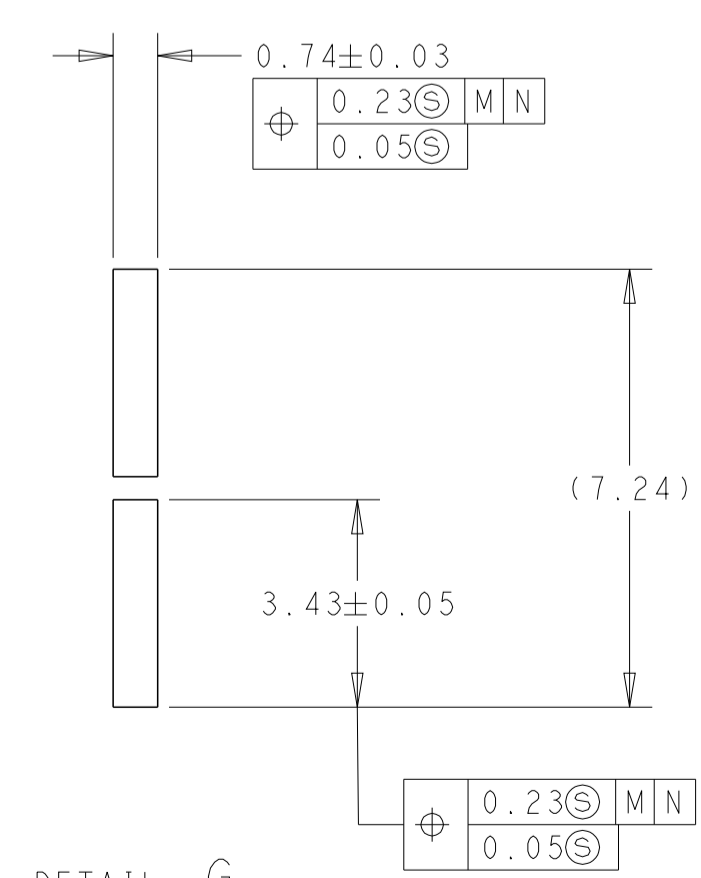
SECTION B-B



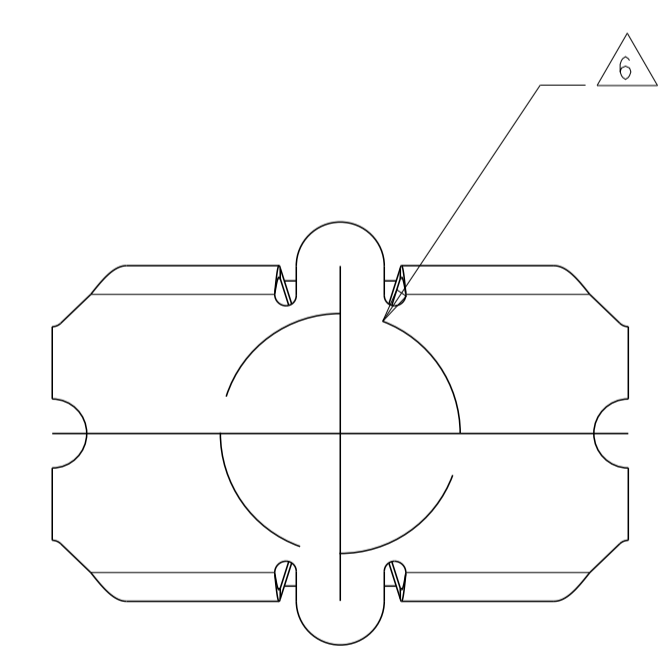
SCALE 4:1



RECOMMENDED BOARD LAYOUT



DETAIL G SCALE 8:1



VACUUM COVER

| FINISH | TAPE WIDTH | DIM_F | E SPACES | DIM_A | NO OF POSN | PART NUMBER |
|--------|------------|-------|----------|-------|------------|-------------|
| 10     | 44 MM      | 13.97 | 11       | 16.36 | 24         | 5-147378-9  |
|        | 88 MM      | 62.23 | 49       | 64.62 | 100        | 5-147378-8  |
|        | 88 MM      | 49.53 | 39       | 51.92 | 80         | 5-147378-7  |
|        | 72 MM      | 36.83 | 29       | 39.22 | 60         | 5-147378-6  |
|        | 56 MM      | 30.48 | 24       | 32.87 | 50         | 5-147378-5  |
|        | 56 MM      | 24.13 | 19       | 26.52 | 40         | 5-147378-4  |
|        | 44 MM      | 17.78 | 14       | 20.17 | 30         | 5-147378-3  |
|        | 32 MM      | 11.43 | 9        | 13.82 | 20         | 5-147378-2  |
|        | 32 MM      | 5.08  | 4        | 7.47  | 10         | 5-147378-1  |
|        | 1          | 44 MM | 13.97    | 11    | 16.36      | 24          |
| 88 MM  |            | 62.23 | 49       | 64.62 | 100        | 147378-8    |
| 88 MM  |            | 49.53 | 39       | 51.92 | 80         | 147378-7    |
| 72 MM  |            | 36.83 | 29       | 39.22 | 60         | 147378-6    |
| 56 MM  |            | 30.48 | 24       | 32.87 | 50         | 147378-5    |
| 56 MM  |            | 24.13 | 19       | 26.52 | 40         | 147378-4    |
| 44 MM  |            | 17.78 | 14       | 20.17 | 30         | 147378-3    |
| 32 MM  |            | 11.43 | 9        | 13.82 | 20         | 147378-2    |
| 32 MM  |            | 5.08  | 4        | 7.47  | 10         | 147378-1    |

THIS DRAWING IS A CONTROLLED DOCUMENT. DWG: H. SHRISHAIL 05DEC2017  
 CHK: J. OLSON 05DEC2017  
 APVD: J. OLSON 05DEC2017

TE Connectivity

RECEPTACLE ASSEMBLY, VERTICAL, DOUBLE ROW SURFACE MOUNT, AMPMODU System 50

SIZE: 108-1093 APPLICATION SPEC  
 CAGE CODE: 114-25035 DRAWING NO: A100779  
 WEIGHT: -

SCALE: 6:1 SHEET 1 OF 1 REV D

## X-ON Electronics

Largest Supplier of Electrical and Electronic Components

*Click to view similar products for [Board to Board & Mezzanine Connectors](#) category:*

*Click to view products by [TE Connectivity](#) manufacturer:*

Other Similar products are found below :

[589158040000018](#) [MDF7C-18P-2.54DSA\(55\)](#) [FCN-230C068-11](#) [FCN-268F012-G/BD](#) [FCN-268F036-G/BD](#) [FCN-268M012-G/0D](#) [FCN-268M024-G/1D](#) [FCN-723J004/1](#) [MIS-048-01-F-D-DP-K](#) [832-10-034-10-001000](#) [FX4C-80S-1.27DSA](#) [FCN-214Q030-G/0](#) [FCN-234P048-G/0](#) [FCN-235D050-G/C](#) [210-93-314-41-105000](#) [2-22603-0](#) [MDF7-40DP-2.54DSA\(55\)](#) [AXG720047](#) [5031084030](#) [MIT-114-03-F-D-K](#) [55323-1519](#) [DF33-2P-3.3DSA\(24\)](#) [YFT-20-05-H-03-SB-K](#) [503308-3040](#) [026-6203-PDB](#) [027-6203-PDB](#) [069159702701000](#) [10123981-102LF](#) [101A10019X](#) [55650-0588-C](#) [68682-310LF](#) [68684-306](#) [75140-7012](#) [87471-650](#) [194261-1](#) [FCN-268F024-G0D](#) [10124054-515LF](#) [68685-603](#) [8-1616154-3](#) [MIS-019-01-F-D](#) [FCN-268M024-G/3D](#) [20021832-06016C1LF](#) [KX15-20KLDL-E1000E](#) [MDF7-16DP-2.54DSA\(55\)](#) [AXE810124](#) [FCN-214J100-G/0](#) [FCN-230C068-E/S](#) [AXE812124](#) [AXE816124](#) [AXE720127](#)