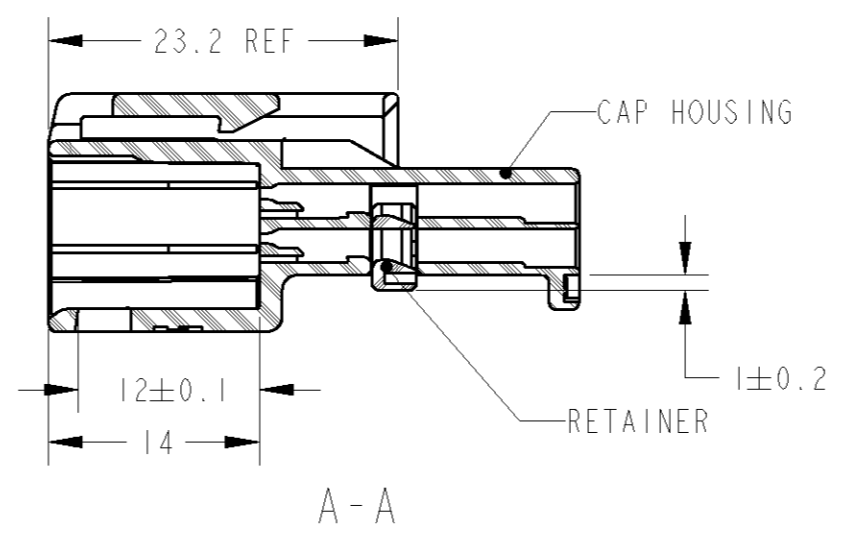
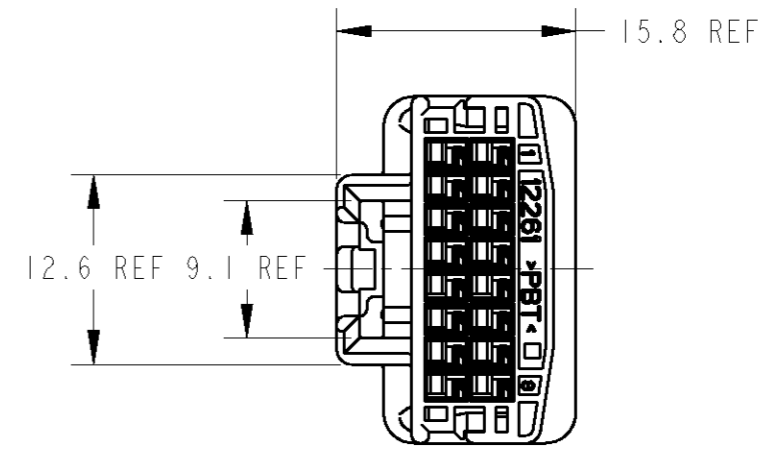
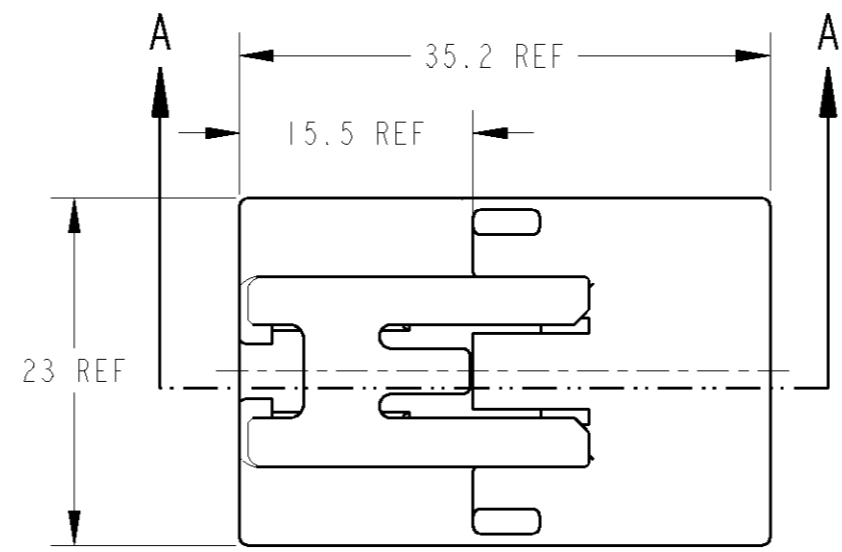
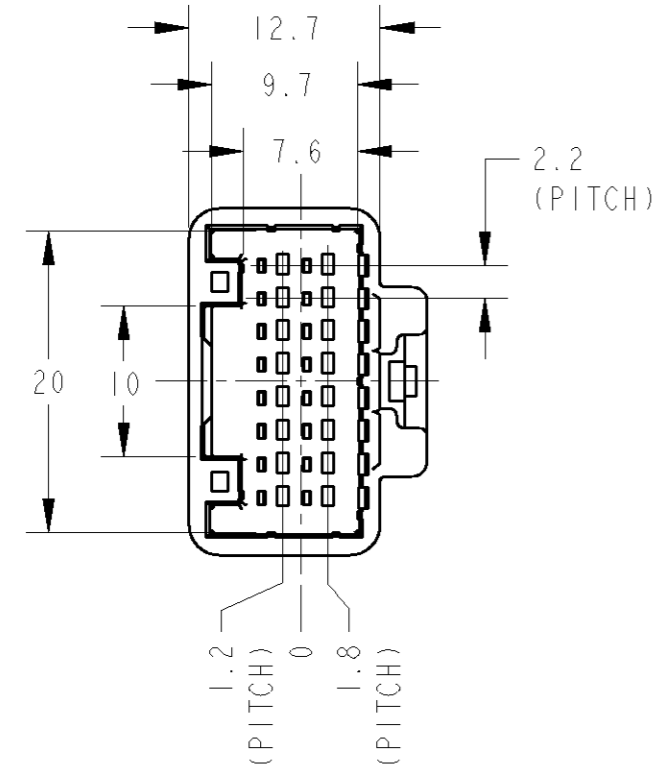
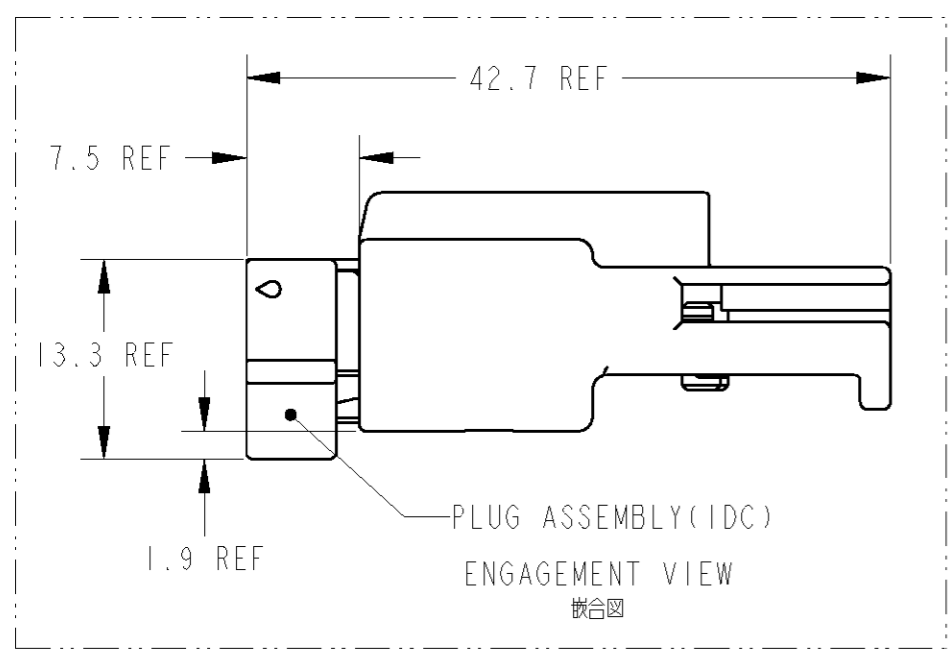


THIS DRAWING IS UNPUBLISHED. RELEASED FOR PUBLICATION 20
 © COPYRIGHT 20 BY TYCO ELECTRONICS CORPORATION. ALL RIGHTS RESERVED.

LOC	DIST	REVISIONS						
		P	LTR	DESCRIPTION	ECN	DATE	DWN	APVD
J		0		RELEASED	FJ00-2067-01	16OCT01	SA	NS



1. キャップハウジングにダブルロックプレートを取付して出荷される。
 2. 適応端子型番; 1376109, 1473818, 1565406
 3. 取扱説明書; 411-5996
 4. 嵌合相手型番; 1318692(1318690 ASSY) & 1318694(IDC) 1318386
1. PLATE SHOULD BE SET TO THE PRE-ASSEMBLY POSITION WITHIN THE CAP HOUSING WHEN SHIPPED TO THE CUSTOMER
 2. APPLIED TERMINAL; 1376109, 1473818, 1565406
 3. INSTRUCTION SHEET No; 411-5996
 4. PART NUMBER OF PLUG HOUSING TO BE MATED; 1318692(1318690 ASSY) & 1318694(IDC), 1318386



PAPER BOX ダンボール	PLASTIC BAG ビニール袋	NATURAL	1473796-1
OUTER 外装	INNER 内装	COLOR	PART NUMBER
PACKING STYLE 梱包形態			

THIS DRAWING IS A CONTROLLED DOCUMENT FOR TYCO ELECTRONICS CORPORATION. IT IS SUBJECT TO CHANGE AND THE CONTROLLING ENGINEERING ORGANIZATION SHOULD BE CONTACTED FOR THE LATEST REVISION.

DIMENSIONS: 単位: 英 mm	TOLERANCES UNLESS OTHERWISE SPECIFIED: 一般公差: ±0.3	DWN S. AMEMIYA 16OCT01	Tyco Electronics AMP K.K. Kawasaki, Japan	
	0-PLC ± 1-PLC ±0.1 2-PLC ±0.01 3-PLC ±0.001 4-PLC ±0.0001 ANGLES ±30'	CHR N. SAI 16OCT01 APVD N. SAI 16OCT01		NAME 名称 16POSITION CAP ASSEMBLY 025 IDC CONNECTOR
	MATERIAL 材料 PBT	FINISH 仕上 SEE TABLE		PRODUCT SPEC 製品規格 108-5660 APPLICATION SPEC 取付適用規格 114-5276, 114-5291 WEIGHT 5.2g

CUSTOMER DRAWING SCALE 2:1 SHEET 1 OF 1 REV 0

X-ON Electronics

Largest Supplier of Electrical and Electronic Components

Click to view similar products for [Automotive Connectors](#) category:

Click to view products by [TE Connectivity](#) manufacturer:

Other Similar products are found below :

[003-018-000](#) [60403001](#) [60993906-B](#) [M902-2131](#) [M902-2161](#) [M902-2344](#) [72.330.1035.1](#) [73.353.4028.0](#) [F119300-B](#) [F166900](#) [F258300-B](#)
[F358300-B](#) [F407400](#) [F444110](#) [F487000](#) [F509500B-B](#) [827153-1](#) [8N1515-32-24P](#) [9-1326729-8](#) [925474-1](#) [928905-1](#) [964562-4](#) [968782-1](#)
[GT17SA-8DS-HU](#) [98891-1012](#) [98947-1016](#) [12004147](#) [12004475-L](#) [12010290](#) [12010309-B](#) [12015454](#) [12020219-B](#) [12041318-B](#) [12052225-](#)
[L](#) [12052466](#) [12064869](#) [12004327-B](#) [12015308](#) [12015384](#) [12015909](#) [1-21030-1](#) [12041254](#) [12041318](#) [12047946-B](#) [12047957](#) [12047957-L](#)
[12059473](#) [12066261](#) [12110546](#) [12110546-B](#)