

1-47387-0 ✓ ACTIVE

AMP | B&H BET, PIDG

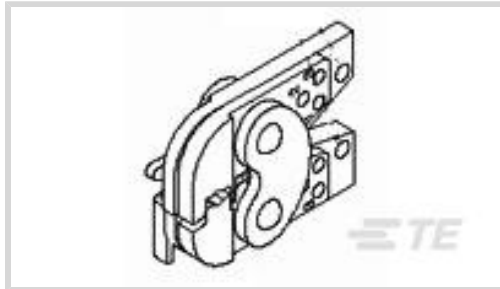
TE Internal #: 1-47387-0

B&H BET, Portable Crimp Tools, Premium Crimp Tooling, Not Releasable, Not Adjustable, Fixed In Tool, TE Product Specification (114-)

[View on TE.com >](#)



Application Tooling > Portable Crimp Tools



Tool Grade: **Premium Crimp Tooling**

Ratchet Configuration: **Not Releasable, Not Adjustable**

Die Sets Type: **Fixed In Tool**

Specification Type: **TE Product Specification (114-)**

Power Technology Type: **Battery (110v), Battery (220v)**

Features

Other

Crimp Form-Wire Barrel Type	Closed Barrel - Confined Crescent
Tool Grade	Premium Crimp Tooling
Ratchet Configuration	Not Releasable, Not Adjustable
Die Sets Type	Fixed In Tool
Specification Type	TE Product Specification (114-)
Power Technology Type	Battery (110v), Battery (220v)
Tooling Type	Double Action Hand Tool, Head Assembly

Product Compliance

[For compliance documentation, visit the product page on TE.com>](#)

EU RoHS Directive 2011/65/EU	Out of Scope
EU ELV Directive 2000/53/EC	Out of Scope
China RoHS 2 Directive MIIT Order No 32, 2016	Not reviewed for China RoHS compliance
EU REACH Regulation (EC) No. 1907/2006	Current ECHA Candidate List: JUL 2021 (219) Candidate List Declared Against: JUL 2021 (219) Does not contain REACH SVHC
Halogen Content	Not Yet Reviewed for halogen content
Solder Process Capability	Not applicable for solder process capability

Product Compliance Disclaimer

This information is provided based on reasonable inquiry of our suppliers and represents our current actual knowledge based on the information they provided. This information is subject to change. The part numbers that TE has identified as EU RoHS compliant have a maximum concentration of 0.1% by weight in homogenous materials for lead, hexavalent chromium, mercury, PBB, PBDE, DBP, BBP, DEHP, DIBP, and 0.01% for cadmium, or qualify for an exemption to these limits as defined in the Annexes of Directive 2011/65/EU (RoHS2). Finished electrical and electronic equipment products will be CE marked as required by Directive 2011/65/EU. Components may not be CE marked. Additionally, the part numbers that TE has identified as EU ELV compliant have a maximum concentration of 0.1% by weight in homogenous materials for lead, hexavalent chromium, and mercury, and 0.01% for cadmium, or qualify for an exemption to these limits as defined in the Annexes of Directive 2000/53/EC (ELV). Regarding the REACH Regulation, the information TE provides on SVHC in articles for this part number is based on the latest European Chemicals Agency (ECHA) 'Guidance on requirements for substances in articles' posted at this URL: <https://echa.europa.eu/guidance-documents/guidance-on-reach>

Compatible Parts



TE Part # CAT-P592-R472A
PIDG RING TONGUE TERMINALS



TE Part # CAT-P592-SP118
PIDG SPADE TONGUE TERMINALS



TE Part # CAT-P592-F614
PIDG FLANGED SPADE TONGUE TERMINALS



TE Part # 327583
SPLICE BUTT PIDG 16-14/22-18 TERMINALS



TE Part # 327748
TAB,PIDG 16-14



TE Part # 324227
PG SHUR PLUG 16-14



TE Part # 328527
TERMINAL,PG R 16-14 8



TE Part # 326741
TERMINAL,PG SPD 16-14 8



TE Part # 322994
TERMINAL,PG SPD 16-14 6



TE Part # 735159
250 PIDG FF



TE Part # 328308
SPARE WIRE CAP,BLU, 16-14 AWG



TE Part # 324165
TERMINAL,PG SPD FLG 16-14 6



TE Part # CAT-P592-R2456
PIDG RECTANGULAR TONGUE
TERMINALS



TE Part # 324228
PG SHUR PLUG 16-14



TE Part # 1SET121084R0000
RT025-020-N



TE Part # 1SET121085R0000
RT025-025-N



TE Part # 1SET121086R0000
RT025-035-N



TE Part # 1SET121090R0000
RT025-060-N




TE Part # 1SET121091R0000
RT025-080-N




TE Part # 1SET121092R0000
RT025-38S-N

Also in the Series | **B&H BET**




Mechanical Connectors(5)




Portable Crimp Tools(1)

Also in the Series | **PIDG**




Compression Connectors(17)



Crimp Terminal Housings(1)



Crimp Wire Pins, Tabs & Ferrules(41)



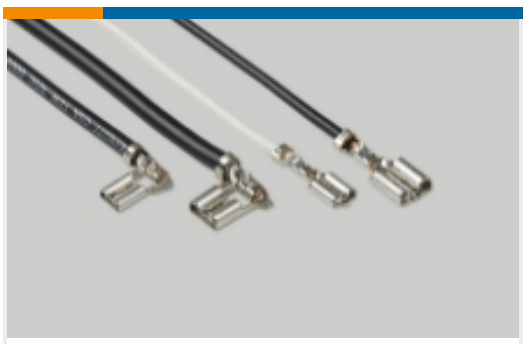
Knife Disconnects(11)



PCB Terminals(9)



Portable Crimp Tools(2)



Quick Disconnects(53)



Ring Terminals & Spade Terminals(862)



Special Purpose Terminals(1)

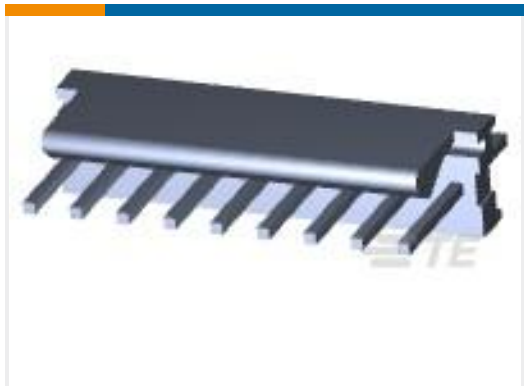


Splices(48)

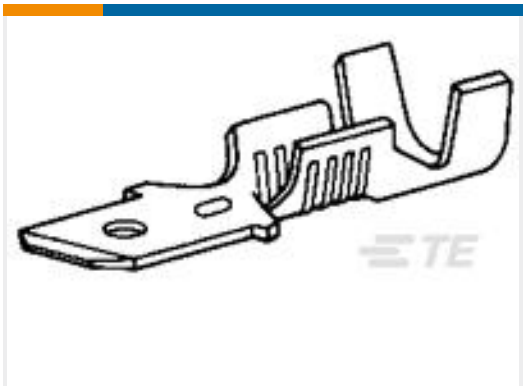
Customers Also Bought



TE Part #320575
PIDG RING TONGUE TERMINALS



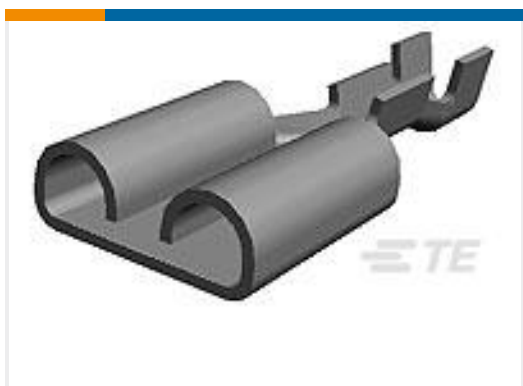
TE Part #3-641215-9
09P MTA100 HDR ASSY FL/ST 30AU



TE Part #62531-1
FASTON 205 (5.2 MM) 18-14 AWG
TPBR



TE Part #770421-1
01P UMNL CAP HSG NATL



TE Part #42233-2
FASTON 205 TERMINAL REC 18-14
AWG TPBR



TE Part #YACT20JH53PNV00100
SQUARE FLANGE RECEPTACLE

Documents

Datasheets & Catalog Pages

[ENG_CS_1-1773859-6_0915](#)

English

Bottoming Dies

English

Instruction Sheets

[Instruction Sheet \(U.S.\)](#)



English

X-ON Electronics

Largest Supplier of Electrical and Electronic Components

Click to view similar products for [Hand Tools](#) category:

Click to view products by [TE Connectivity](#) manufacturer:

Other Similar products are found below :

[58284-1](#) [662908-1](#) [68764-0001](#) [690619-6](#) [D20419-189](#) [7-354778-7](#) [768531-1](#) [821903-5](#) [822253-1](#) [854183-1](#) [854358-1](#) [992258-1](#) [1-21046-3](#)
[1-22278-0](#) [1-22278-2](#) [1-24954-2](#) [125529-5](#) [126513-1](#) [1320846-1](#) [1338618-1](#) [1338968-2](#) [1-354779-0](#) [1-354779-2](#) [1-354779-4](#) [1424443-1](#)
[1424289-1](#) [1424444-1](#) [MS24256A16](#) [1-525442-0](#) [1532195-2](#) [1538773-2](#) [1-59681-8](#) [1-59907-5](#) [1-692134-3](#) [1725760-1](#) [HT-920A-124-](#)
[HTELE-RPL-KIT](#) [1976923-1](#) [1976969-1](#) [2063794-1](#) [2063795-1](#) [2-21002-1](#) [2-21002-3](#) [2-21002-4](#) [2-21002-7](#) [2-21002-9](#) [2-21004-0](#) [229399-](#)
[2](#) [229707-1](#) [911737-2](#) [2598-5027-54](#)