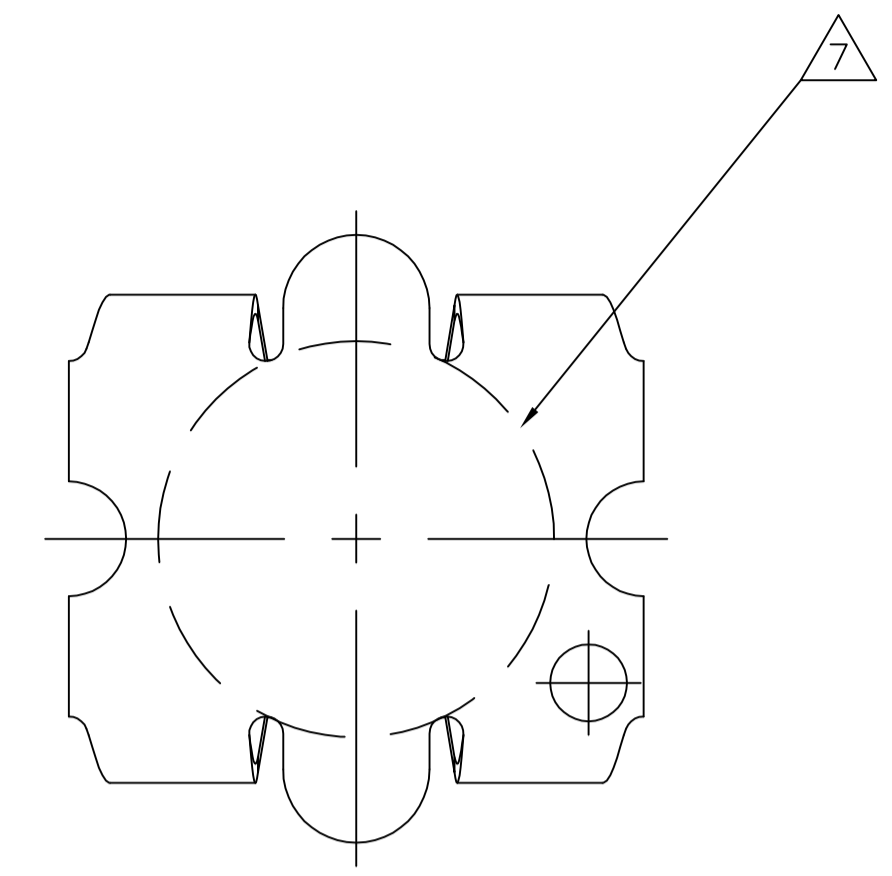
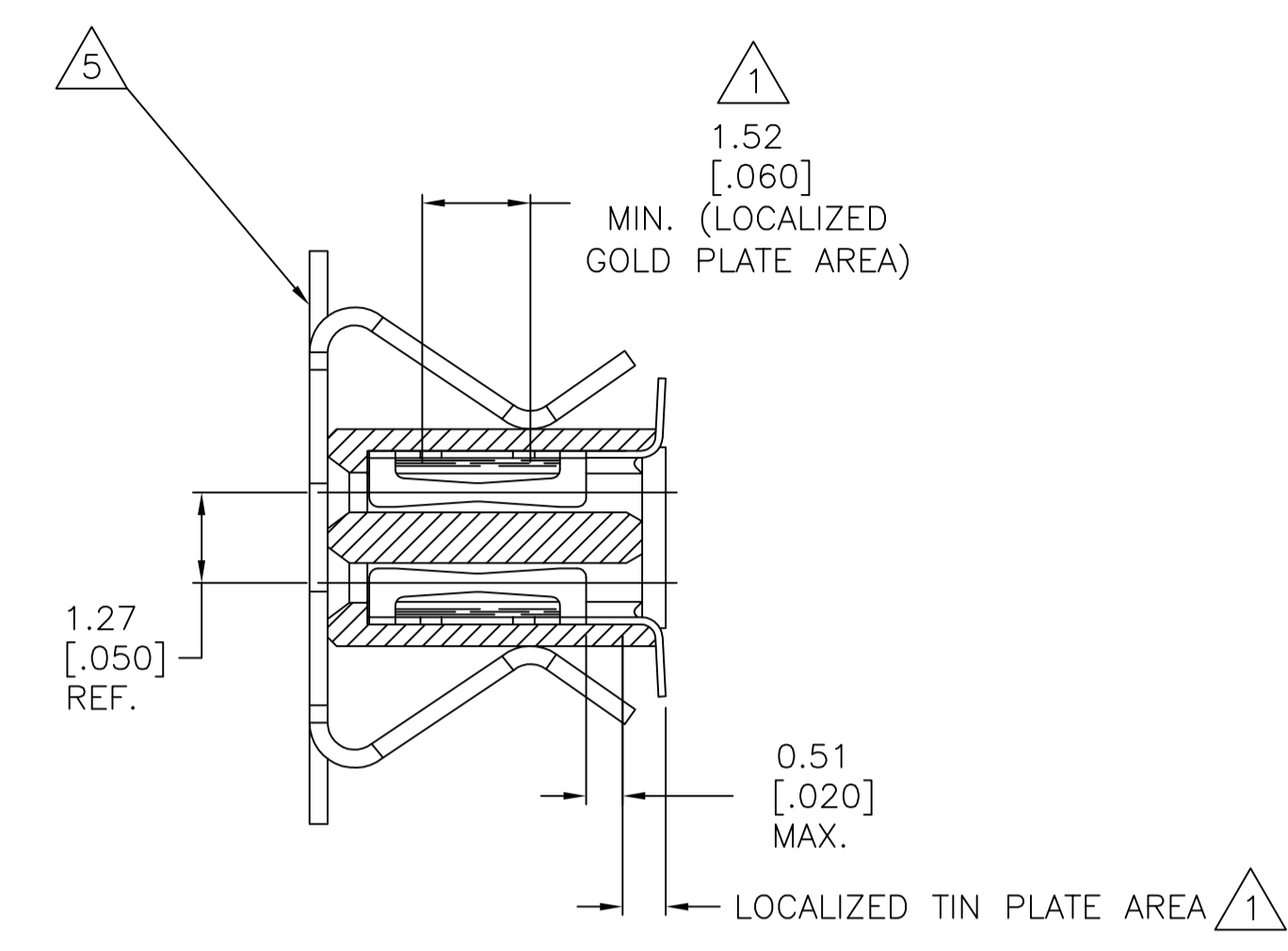
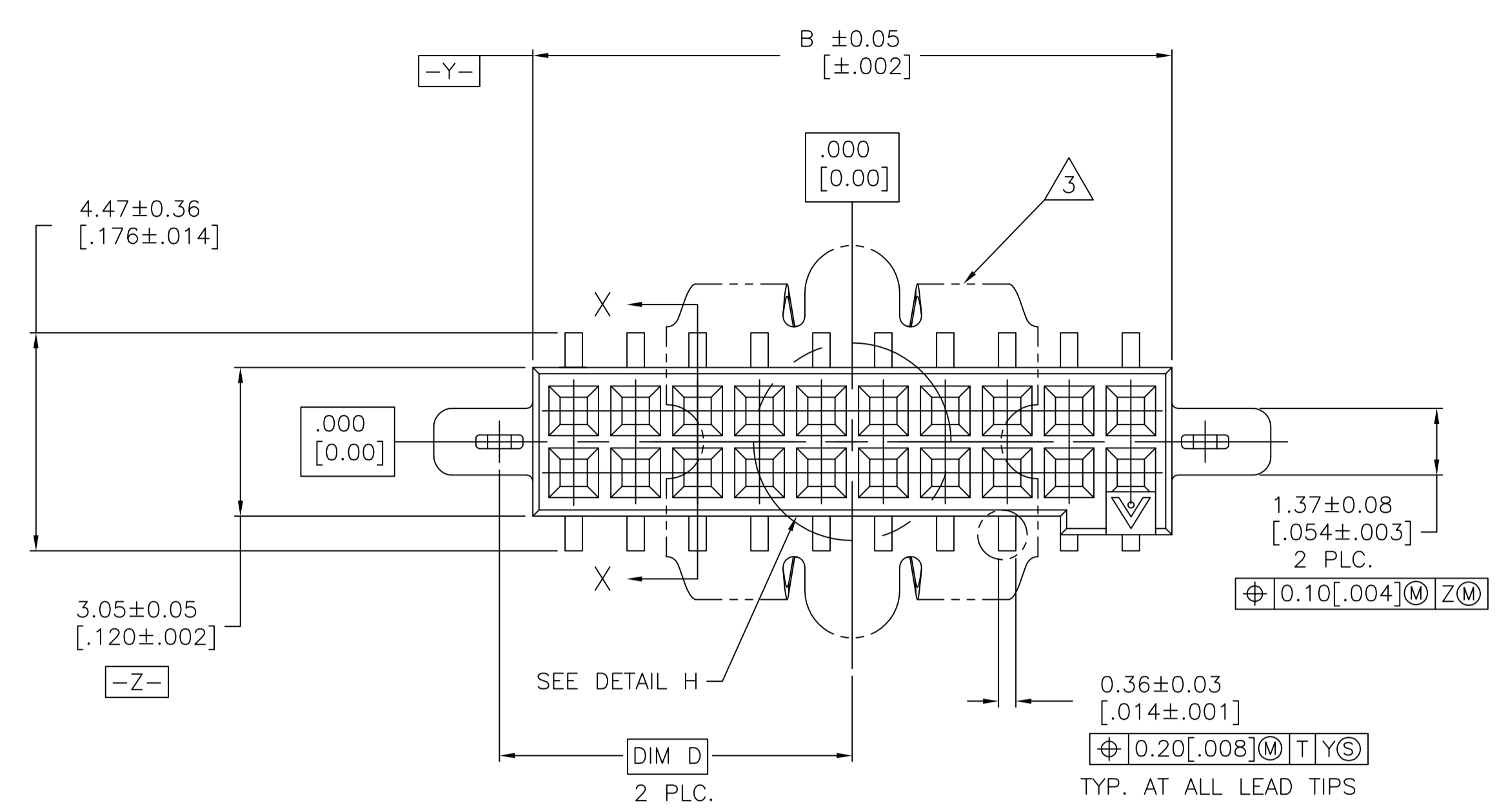
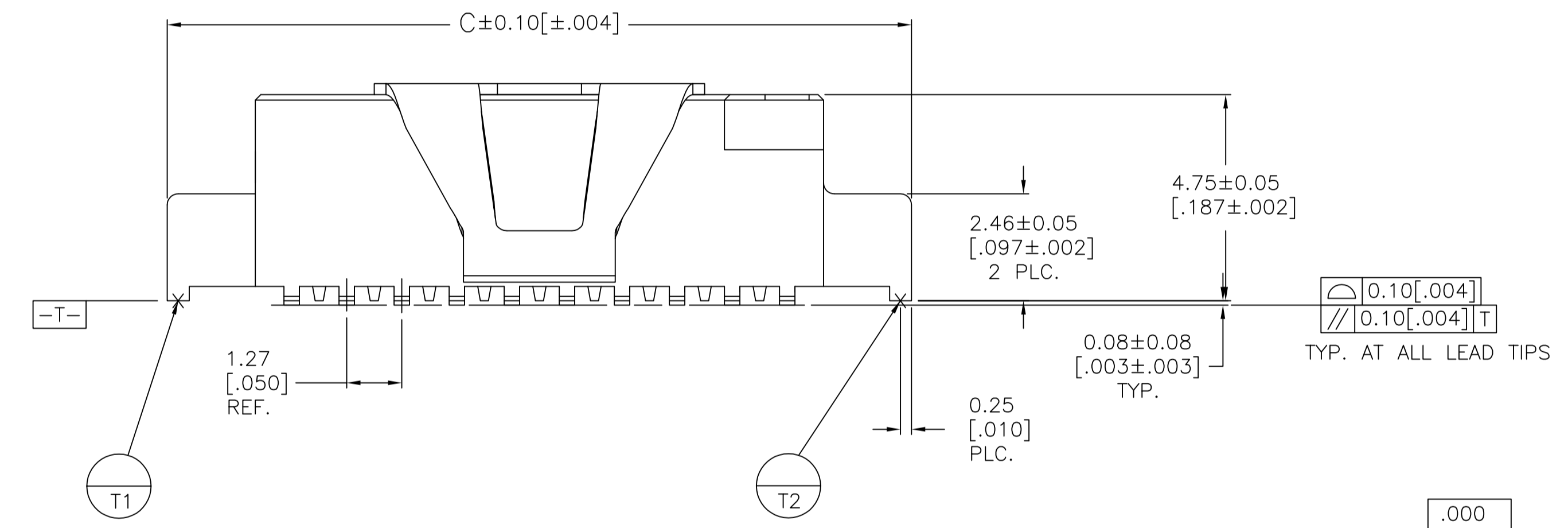


REVISIONS					
P	LTR	DESCRIPTION	DATE	OWN	APVD
E5		REVISED PER ECO-15-017906	15DEC2015	NK	JO
F		REVISED PER ECO-17-016552	21NOV2017	RS	JO

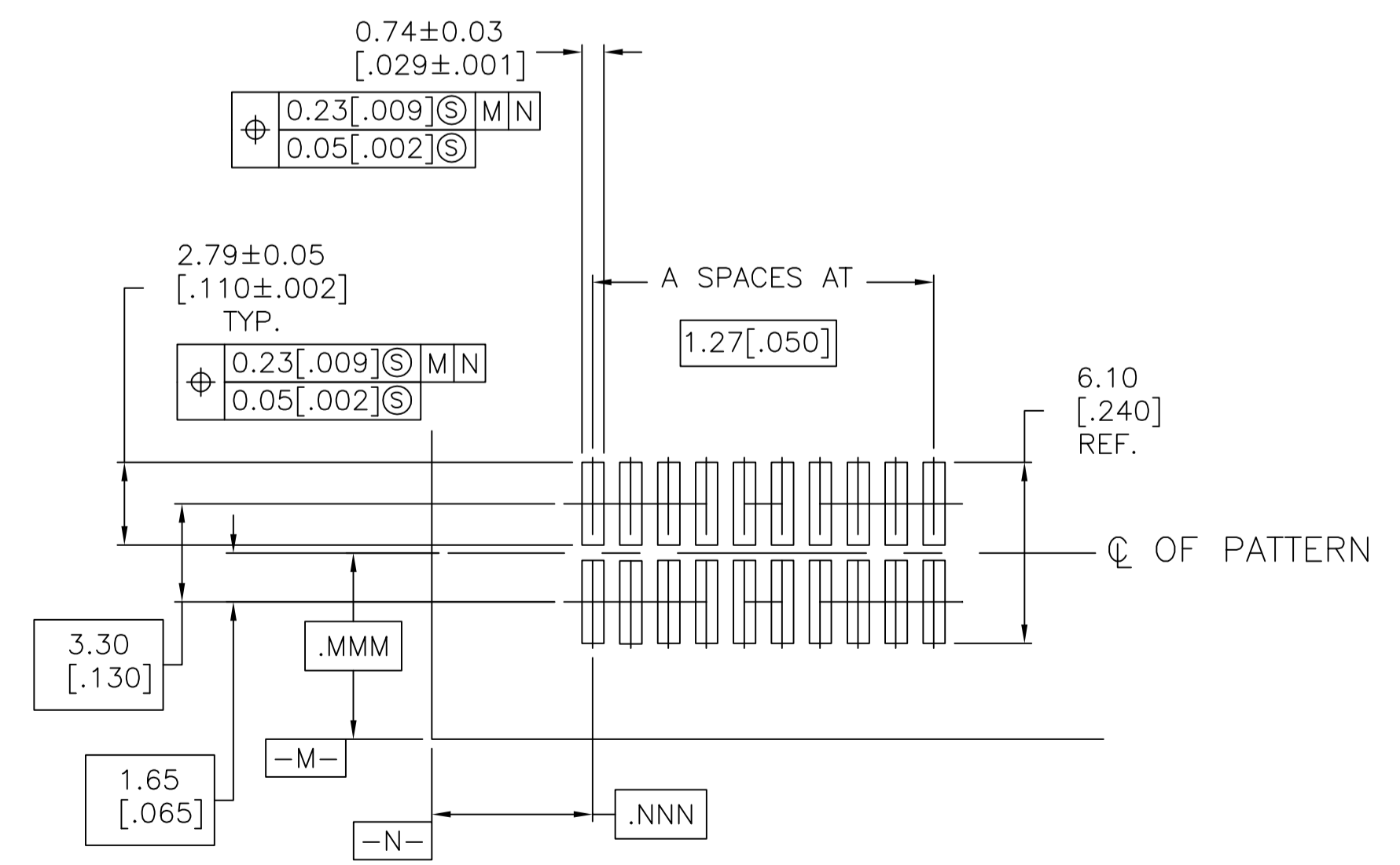


VACCUUM COVER

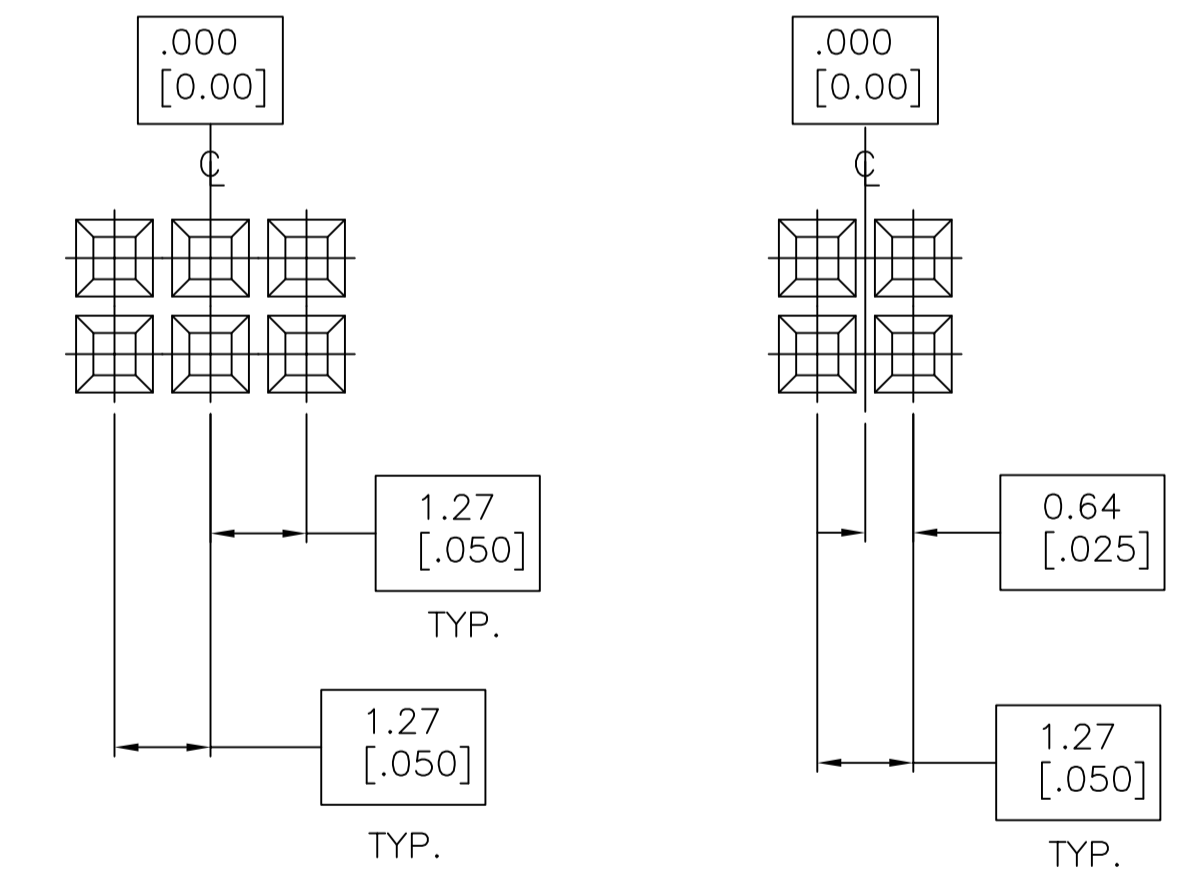


SECTION X-X

- 1 0.00076 [.000030] GOLD IN LOCALIZED GOLD PLATE AREA, 0.0038 [.000150] TIN-LEAD ON SOLDER LEADS, ALL OVER 0.00127 [.000050] NICKEL.
- 2 IF PLANNING TO USE MORE THAN ONE MATING PAIR OF CONNECTORS TO INTERCONNECT 2 BOARDS, PLEASE REFER TO THE SPACING PARAGRAPH IN APPLICATION SPEC.#114-7010.
- 3 VACCUUM COVER SHOWN IN PHANTOM.
- 4 PACKAGED IN TAPE AND REEL PER EIA-481 SPECIFICATIONS, SEE CHART FOR TAPE WIDTHS.
- 5 VACCUUM COVER DESIGNED FOR 4.0 [.160] DIA NOZZLE. VACCUUM COVER TO BE REMOVED AFTER SOLDERING.
- 6 HOUSING: LCP, COLOR BLACK. CONTACT: COPPER ALLOY PER ASTM SPECIFICATION B422. VACCUUM COVER: ALUMINUM ALLOY PER ASTM SPECIFICATION B209.
- 7 5.2 [.205] MIN. TARGET AREA FOR VACCUUM PICK-UP.
- 8 0.00076(.000030) GOLD IN LOCALIZED GOLD PLATE AREA, 0.0038(.000150) TIN ON SOLDER LEADS, ALL OVER 0.00127(.000050) NICKEL.
- 9 ROHS 2002/95/EC COMPLIANT.
- 10 OBSOLETE PARTS: OBSOLETE CIS STREAMLINING PER D.RENAUD/D.SINISI



RECOMMENDED BOARD LAYOUT SCALE: 5:1



BASIC DIMENSIONS FOR EVEN NO. OF SPACES (SEE TABLE)  
BASIC DIMENSIONS FOR ODD NO. OF SPACES (SEE TABLE)  
DETAIL H

FINISH	TAPE WIDTH	D	C	B	A	NO. OF POS	PART NUMBER
8/9	44mm	10.41 [.410]	23.52 [.926]	19.46 [.766]	14	30	5-147413-4
8/9	32mm	7.24 [.285]	17.17 [.676]	13.11 [.516]	9	20	5-147413-3
10	OBSOLETE	56mm	16.76 [.660]	36.22 [1.426]	24	50	<del>5-147413-2</del>
8/9	32mm	4.06 [.160]	10.82 [.426]	6.75 [.266]	4	10	5-147413-1
1	44mm	10.41 [.410]	23.52 [.926]	19.46 [.766]	14	30	147413-4
1	32mm	7.24 [.285]	17.17 [.676]	13.11 [.516]	9	20	147413-3
OBSOLETE	1	56mm	16.76 [.660]	36.22 [1.426]	24	50	<del>147413-2</del>
1	32mm	4.06 [.160]	10.82 [.426]	6.75 [.266]	4	10	147413-1

THIS DRAWING IS A CONTROLLED DOCUMENT. DIM T. SMITH 30MAR00. CHK D. SIMPSON 30MAR99. APVD D.L. SIMPSON. NAME ASSEMBLY, RECEPTACLE, VERTICAL, DOUBLE ROW, SURFACE MOUNT 50/50 GRID CONNECTOR. PRODUCT SPEC 108-1332. APPLICATION SPEC 114-7010. SIZE A1. CAGE CODE 00779. DRAWING NO. 147413. WEIGHT. RESTRICTED TO CUSTOMER DRAWING. SCALE 10:1. SHEET 1 OF 1. REV F.

## X-ON Electronics

Largest Supplier of Electrical and Electronic Components

*Click to view similar products for [Board to Board & Mezzanine Connectors](#) category:*

*Click to view products by [TE Connectivity](#) manufacturer:*

Other Similar products are found below :

[589158040000018](#) [MDF7C-18P-2.54DSA\(55\)](#) [FCN-230C068-11](#) [FCN-268F012-G/BD](#) [FCN-268F036-G/BD](#) [FCN-268M012-G/0D](#) [FCN-268M024-G/1D](#) [FCN-723J004/1](#) [MIS-048-01-F-D-DP-K](#) [832-10-034-10-001000](#) [FX4C-80S-1.27DSA](#) [FCN-214Q030-G/0](#) [FCN-234P048-G/0](#) [FCN-235D050-G/C](#) [210-93-314-41-105000](#) [2-22603-0](#) [MDF7-40DP-2.54DSA\(55\)](#) [AXG720047](#) [5031084030](#) [MIT-114-03-F-D-K](#) [55323-1519](#) [DF33-2P-3.3DSA\(24\)](#) [YFT-20-05-H-03-SB-K](#) [503308-3040](#) [026-6203-PDB](#) [027-6203-PDB](#) [069159702701000](#) [10123981-102LF](#) [101A10019X](#) [55650-0588-C](#) [68682-310LF](#) [68684-306](#) [75140-7012](#) [87471-650](#) [194261-1](#) [FCN-268F024-G0D](#) [10124054-515LF](#) [68685-603](#) [8-1616154-3](#) [MIS-019-01-F-D](#) [FCN-268M024-G/3D](#) [20021832-06016C1LF](#) [KX15-20KLDL-E1000E](#) [MDF7-16DP-2.54DSA\(55\)](#) [AXE810124](#) [FCN-214J100-G/0](#) [FCN-230C068-E/S](#) [AXE812124](#) [AXE816124](#) [AXE720127](#)