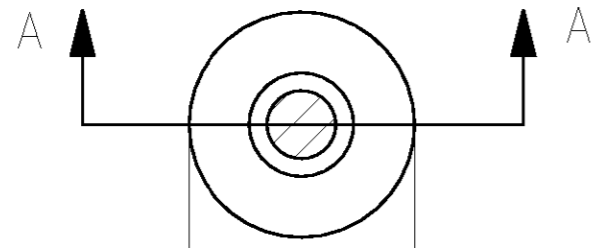


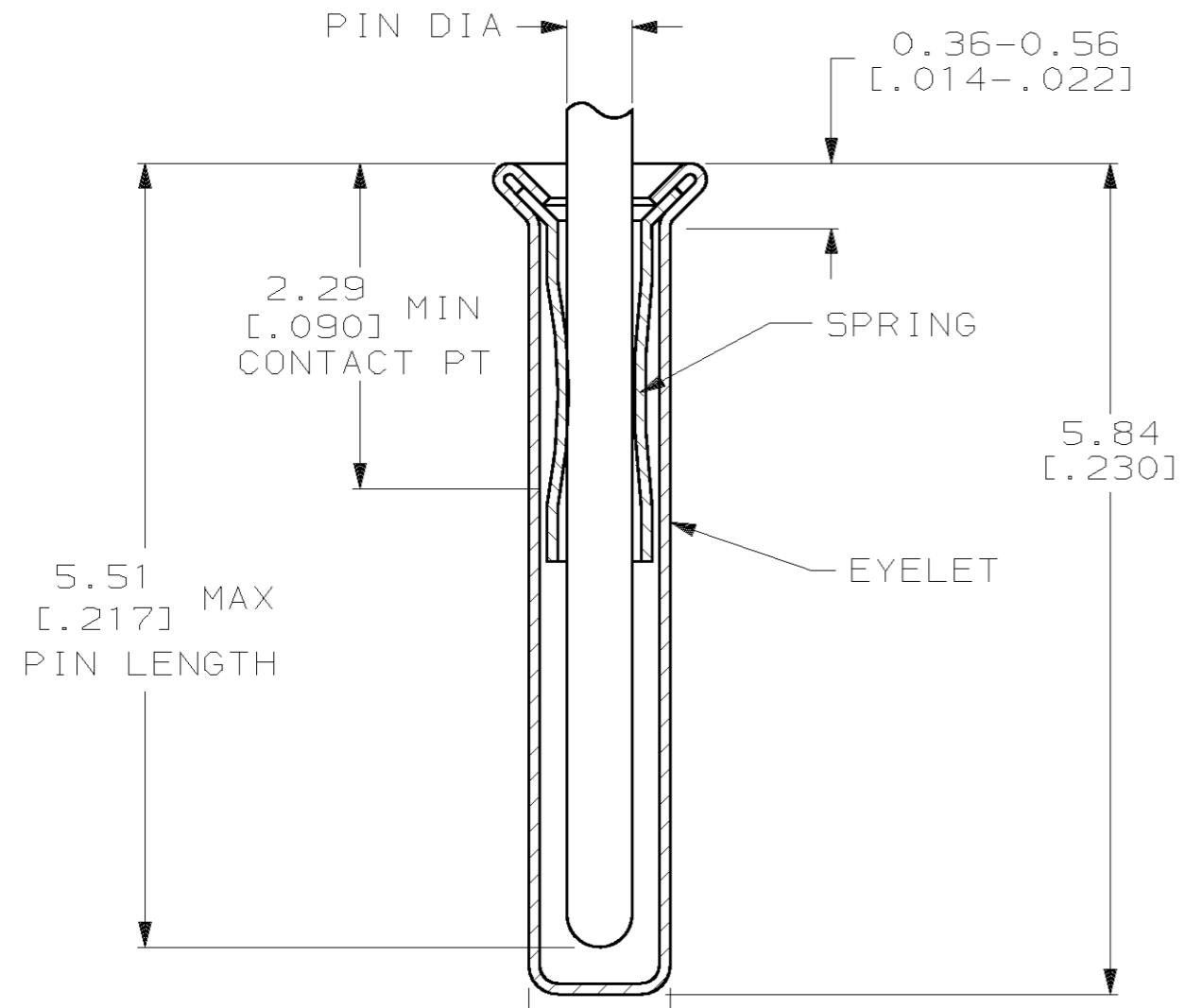
THIS DRAWING IS UNPUBLISHED. RELEASED FOR PUBLICATION, 19 .
 © COPYRIGHT 19 BY AMP INCORPORATED. ALL RIGHTS RESERVED.

LOC	DIST	REVISIONS			
P	LTR	DESCRIPTION	DATE	DWN	APVD
AD	0	0	REV PER 063C-0214-00	18MAY00	BH HW



$\phi 1.50$ MAX
 $[\phi .059]$

- 1 SPRING: BERYLLIUM COPPER PER QQ-C-533.
EYELET: COPPER PER QQ-C-576.
- 2 GOLD PER MIL-G-45204, TYPE II, 0.00076 $[\text{.000030}]$ MIN THK OVER NICKEL PER QQ-N-290 0.00028 $[\text{.000011}]$ MIN THK ON CONTACT AREA.
- 3 GOLD FLASH PER MIL-G-45204, TYPE II, 0.13 μm $[\text{.000005}]$ MIN THK. OVER NICKEL PLATE PER QQ-N-290 0.51 μm -1.52 μm $[\text{.000020}-\text{.000060}]$ EXT THK.
- 4. RECOMMENDED HOLE SIZE, PLATED OR UNPLATED:
 HAND INSERTION: $1.02^{+0.10}_{-0.00}$ $[\text{.040}^{+.004}_{-.000}]$
- 5 TO INSURE PROPER SPRING TENSION DO NOT EXCEED A 0.10 $[\text{.004}]$ DIFFERENCE IN PIN DIA WHEN CHANGING TO A SMALLER PIN.



$\phi 0.97^{+0.05}_{-0.03}$
 $[\phi .038^{+.002}_{-.001}]$

SECTION A-A

CLOSED	0.33-0.51 [.013-.020]	GOLD 3	GOLD 2	147444-1
BOTTOM TYPE	RECOMMENDED PIN DIA 5	EYELET	SPRING	PART NUMBER
FINISH				

THIS DRAWING IS A CONTROLLED DOCUMENT.

DIMENSIONS: mm [INCHES]	TOLERANCES UNLESS OTHERWISE SPECIFIED:	DWN R. TALLEY 04 APR 00	AMP Incorporated Harrisburg, PA 17105-3608	
	0 PLC ±- 1 PLC ±- 2 PLC ±0.20 [.008] 3 PLC ±- 4 PLC ±- ANGLES ±-	CHK W. WYNKOOP 04 APR 00	NAME	
		APVD W. WYNKOOP 04 APR 00	SOCKET ASSEMBLY, SERIES 1, MINIATURE SPRING SOCKET	
MATERIAL 1	FINISH SEE TABLE	PRODUCT SPEC	SIZE	CAGE CODE
		APPLICATION SPEC	DRAWING NO	
		WEIGHT	RESTRICTED TO	
CUSTOMER DRAWING			A300779	C-147444
			SCALE 20:1	SHEET 1 OF 1
				REV 0

X-ON Electronics

Largest Supplier of Electrical and Electronic Components

Click to view similar products for IC & Component Sockets category:

Click to view products by TE Connectivity manufacturer:

Other Similar products are found below :

[0066-3-17-15-30-14-02-0](#) [670](#) [672](#) [673](#) [694-13-640-00-672-000](#) [712-93-120-41-001000](#) [714-93-104-31-018000](#) [8059-4G1-LF](#) [807-22-001-10-001101](#) [807-22-001-10-006101](#) [807-22-001-30-011101](#) [807-22-001-30-012101](#) [807-22-001-30-013101](#) [807-22-001-30-014101](#) [8-1437531-4](#) [8150-6P10](#) [833-93-034-10-001000](#) [851-41-006-10-001000](#) [851-43-008-20-001000](#) [851-43-014-20-001000](#) [851-93-006-20-001000](#) [851-93-010-20-001000](#) [853-43-020-10-001000](#) [86.010.0053.0](#) [116-43-308-41-007000](#) [PX-68LCC](#) [121-13-318-41-001000](#) [121-13-320-41-001000](#) [121-13-308-41-001000](#) [123-43-314-41-801000](#) [123-43-420-41-001000](#) [123-87-320-41-001101](#) [122-13-316-41-001000](#) [123-13-624-41-001000](#) [123-43-306-41-001000](#) [12-3513-11](#) [123-91-320-41-001000](#) [126-43-310-41-002000](#) [AKSUN 37V-T](#) [1437503-9](#) [1437504-1](#) [146-44-308-41-013000](#) [APO-320-G-T](#) [146-43-308-41-012000](#) [160-10-308-00-001000](#) [160-40-320-00-001000](#) [214-99-306-01-670800](#) [232-1270-02-0602](#) [2-382761-4](#) [2-5331677-4](#)