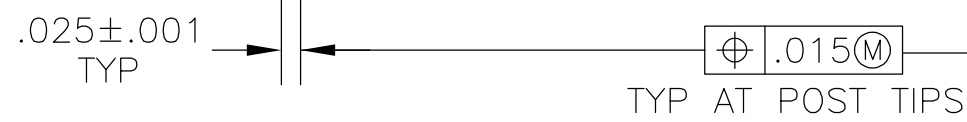
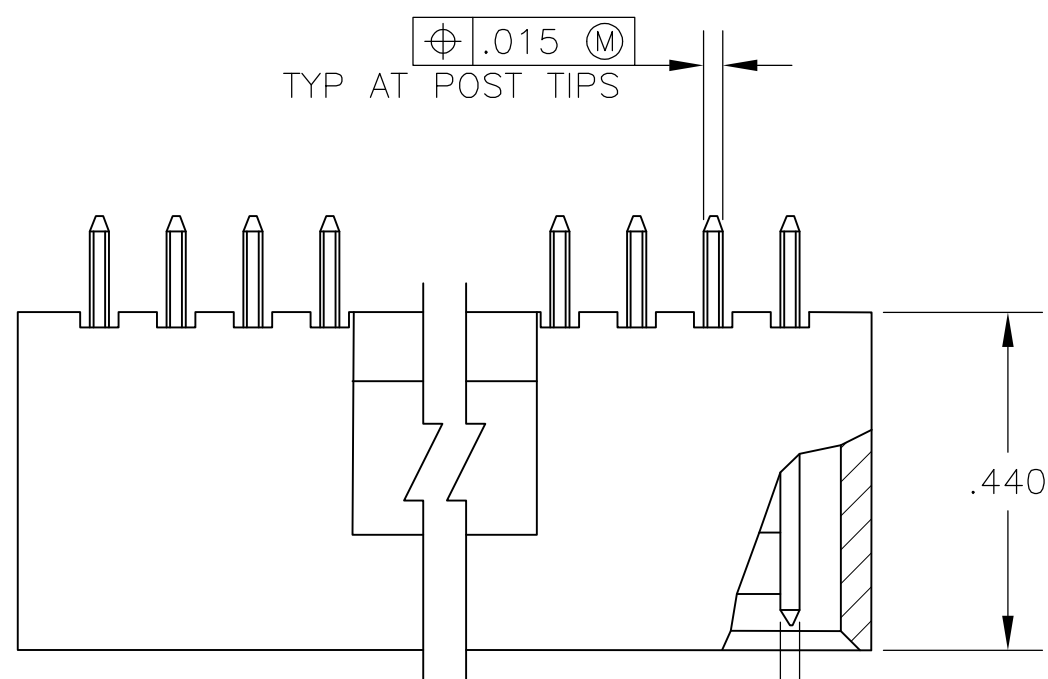
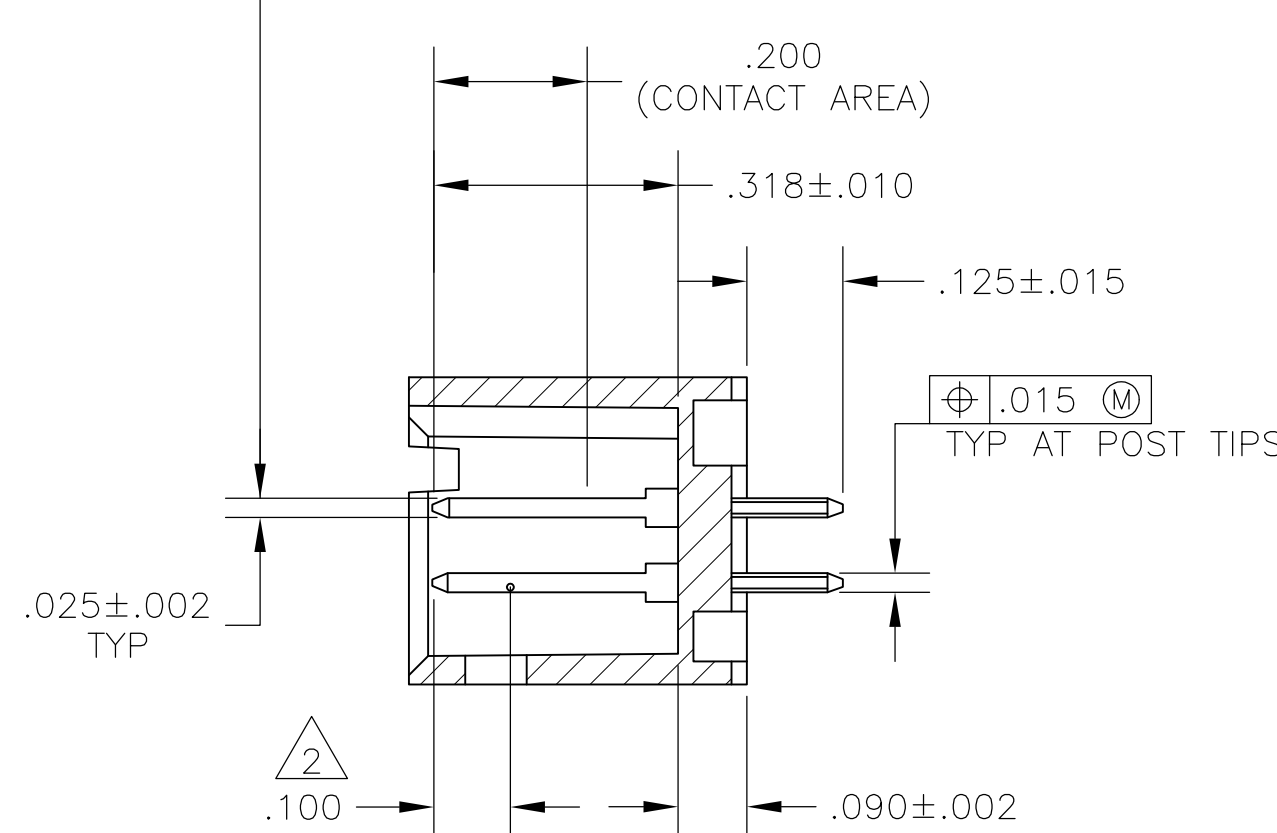
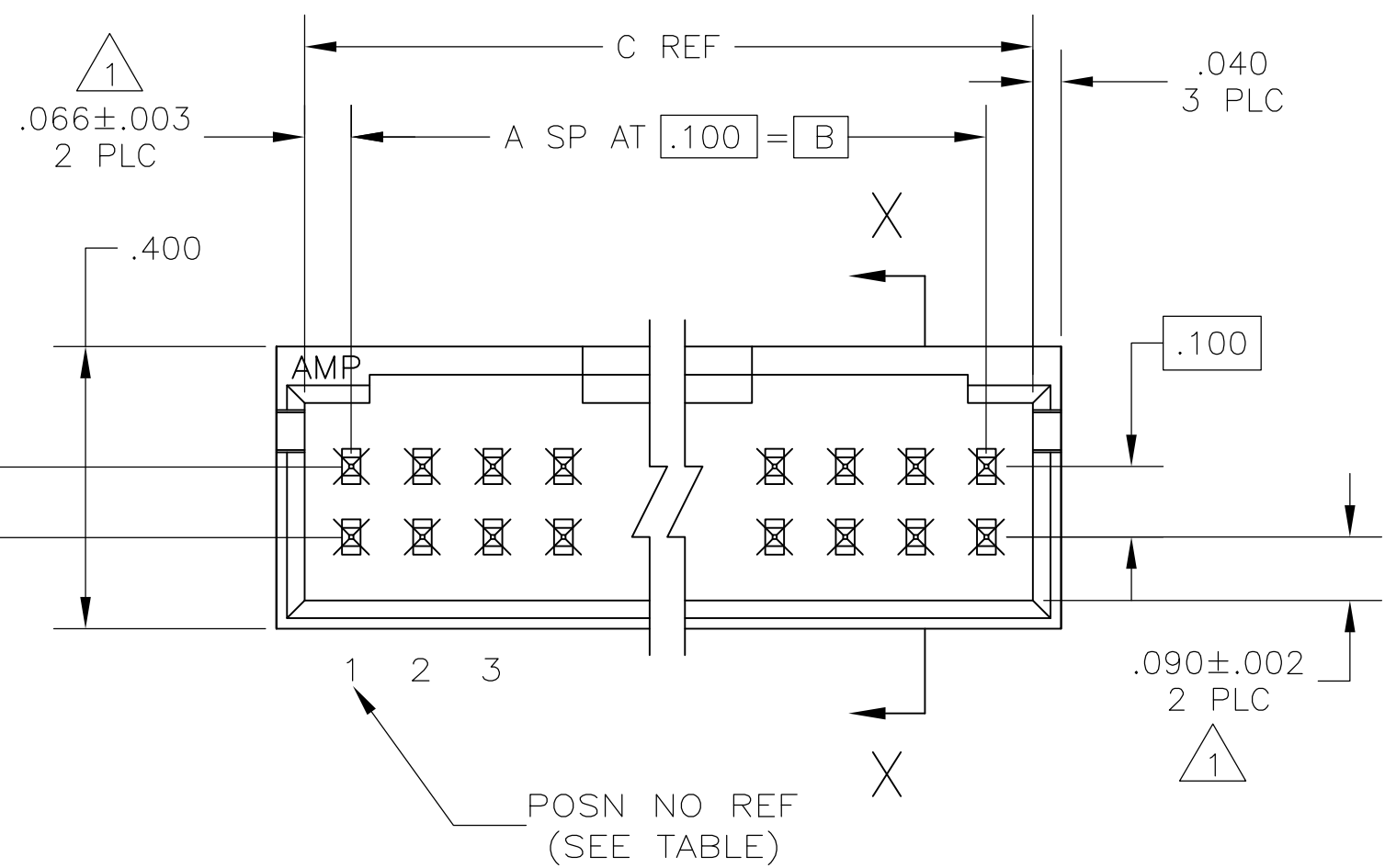


THIS DRAWING IS UNPUBLISHED. RELEASED FOR PUBLICATION
 © COPYRIGHT BY TYCO ELECTRONICS CORPORATION. ALL RIGHTS RESERVED.

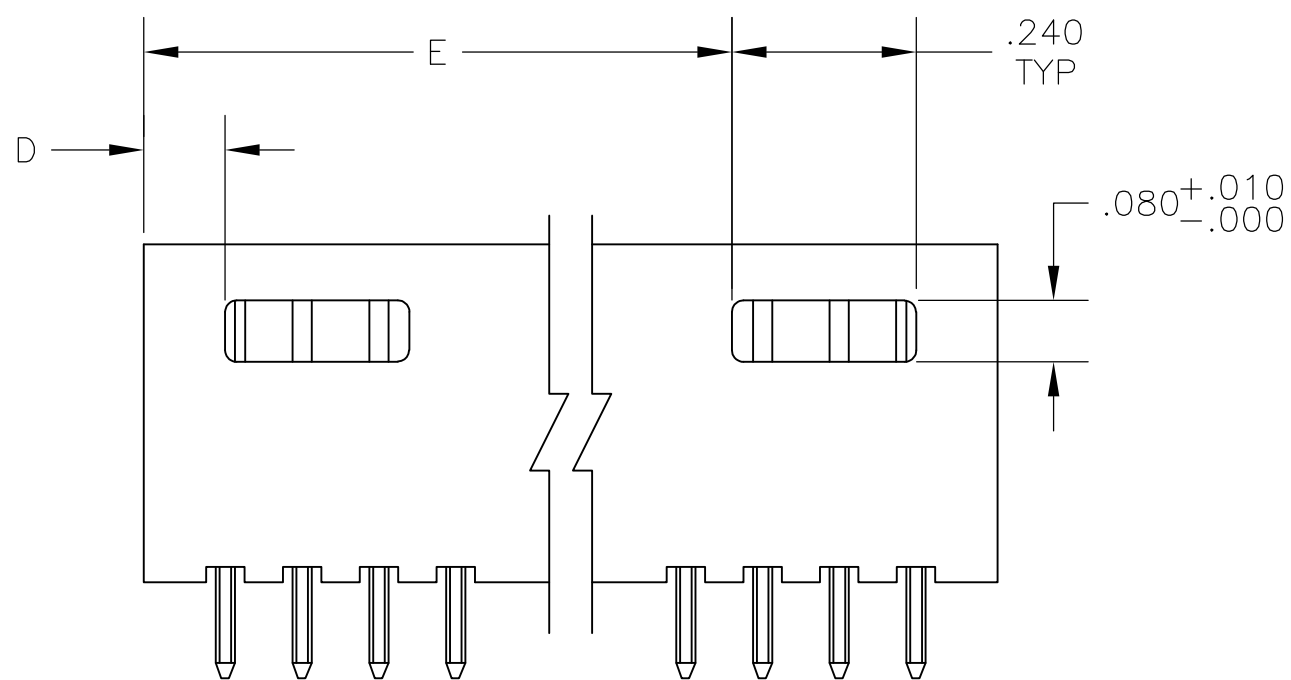
LOC		DIST		REVISIONS			
P	LTR	DESCRIPTION	DATE	DWN	APVD		
	B	EC 0G3C 0216 05	27DEC05	BSV	JLG		
	B1	REVISED PER ECO-09-020935	27AUG09	KK	AEG		



- 1 THE NOTED DIMENSIONS APPLY AT THE INTERSECTION OF THE POST AND HOUSING
- 2 POINT OF MEASUREMENT FOR PLATING THICKNESS
- 3 MATERIAL: HOUSING, FLAME RETARDANT THERMOPLASTIC, COLOR-BLACK. POSTS: PHOS BRONZE.
- 4 .000030 GOLD IN CONTACT AREA, .000100 -.000200 MATTE TIN-LEAD ON SOLDER TAIL, ALL OVER .000050 NICKEL.
- 5 .000030 GOLD IN CONTACT AREA, .000100 -.000200 MATTE TIN ON SOLDER TAIL, ALL OVER .000050 NICKEL.
- 6 OBSOLETE PARTS: OBSOLETE CIS STREAMLINING PER D.RENAUD/D.SINISI



SECTION X-X



6 OBSOLETE	5	1	-	---	.206	.532	.400	4	10	5-147706-1	
		1	-	---	.206	.532	.400	4	10	147706-1	
PLATING		ROW M	ROW N		E	D	C	B	A	NO OF POSN	ASSEMBLY PART NUMBER
		POST OMITTED									

THIS DRAWING IS A CONTROLLED DOCUMENT.

DWN B. HAYMAKER 05DEC00
 CHK J. GESFORD 05DEC00
 APVD J. GESFORD 05DEC00

Tyco Electronics Corporation
 Harrisburg, PA 17105

NAME: HDR ASSY, MOD II, SHROUDED, 4 SIDES, DBL ROW, VERTICAL, .100X.100 C/L WITH .025 SQ POSTS, SELECT LOAD

SIZE: A2 CAGE CODE: 00779 DRAWING NO: 147706 RESTRICTED TO: -

MATERIAL: 4 SEE TABLE FINISH: SEE TABLE WEIGHT: - SCALE: 4:1 SHEET: 1 OF 1 REV: B1

CUSTOMER DRAWING

X-ON Electronics

Largest Supplier of Electrical and Electronic Components

Click to view similar products for [Headers & Wire Housings](#) category:

Click to view products by [TE Connectivity](#) manufacturer:

Other Similar products are found below :

[892-18-020-10-001101](#) [58102-G61-06LF](#) [582553-1](#) [0009485154](#) [009176003701906](#) [0050291907](#) [LY20-4P-DT1-P1E-BR](#) [02.125.8002.8](#)
[609-3404](#) [61062-3](#) [61082-181009](#) [622-3653LF](#) [63453-116](#) [636-1030](#) [636-1427](#) [636-3427](#) [636-4007](#) [641938-9](#) [641991-4](#) [644827-2](#) [65817-](#)
[010LF](#) [65817-015LF](#) [65863-015LF](#) [66207-023LF](#) [67095-007LF](#) [67601157](#) [68645-018](#) [68648-049](#) [70.362.1628.0](#) [70-4210](#) [70-4226B](#) [70-](#)
[4853B](#) [707-5020](#) [707-5028](#) [71.350.2428.0](#) [71918-208LF](#) [71961-016LF](#) [733-134](#) [733-162](#) [754199-000](#) [760-3052](#) [79531-3000](#) [FCN-](#)
[360C032-B](#) [FCN-367T-T012/H](#) [FCN-723D010/2](#) [80.063.4001.1](#) [800-90-010-10-002000](#) [801-43-002-10-013000](#) [801-43-006-10-002000](#)
[801-93-011-10-001000](#)