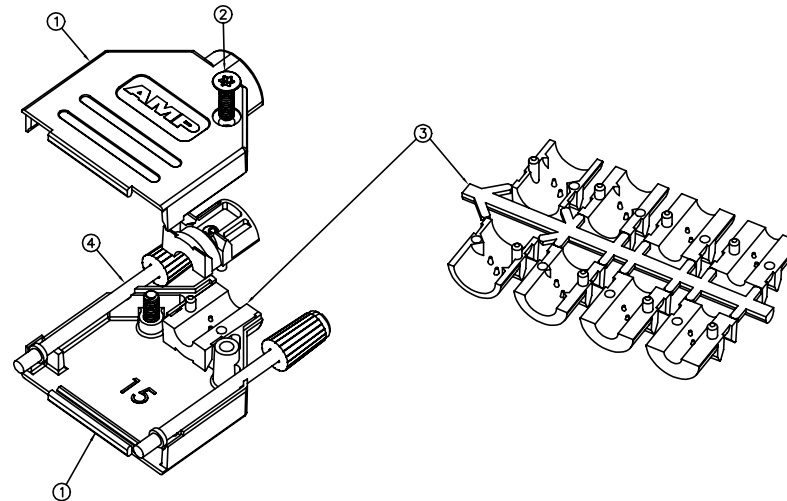
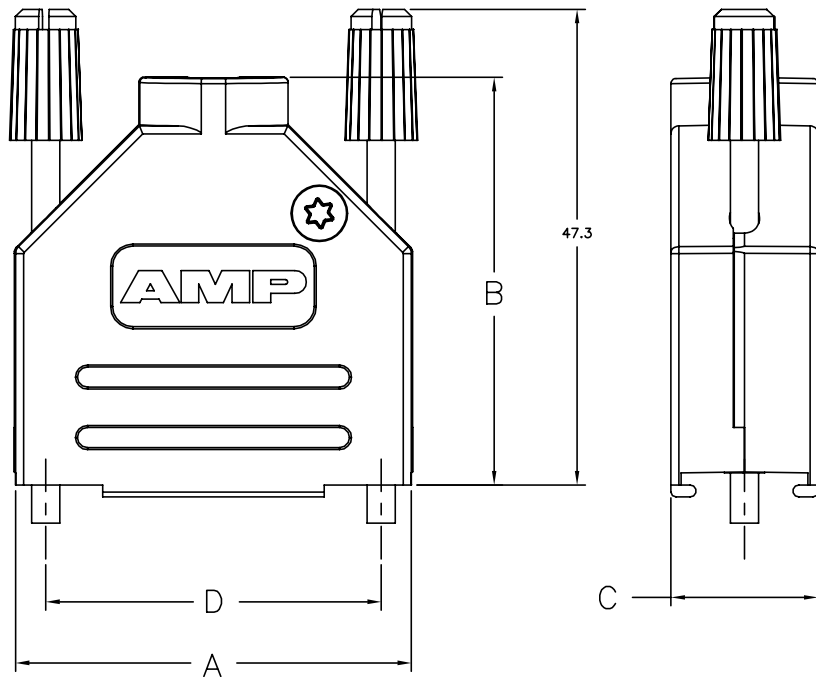


| REVISIONS |     |                           |           |     |      |
|-----------|-----|---------------------------|-----------|-----|------|
| P         | LTR | DESCRIPTION               | DATE      | DWN | APVD |
| N         |     | REVISED PER ECN-21-102828 | 09MAY2012 | AK  | SZ   |



1. FOR ASSEMBLY DETAILS, REFER TO LEAFLET 2227518-1.
2. BULK PACKAGED BACKSHELL ASSEMBLIES:  
ITEM 1, 200 BACKSHELL HALVES, LOOSE IN BOX. ITEMS 2 THRU 4, 100 TIMES QTY SHOWN IN TABLE IN 1 BAG FOR EACH ITEM. ALL BAGS IN 1 BOX WITH (1) 2227518-1 LEAFLET.
3. INDIVIDUALLY PACKAGED SHELL ASSEMBLIES:  
1 BAG CONTAINS ALL COMPONENTS FOR 1 COMPLETE ASSEMBLY. 100 BAGS PER BOX, (1) 2227518-1 LEAFLET PER BOX.
4. TERMINATES 4.0-13.0 CABLE DIAMETERS.
5. 15 POSITION SHOWN.
6. TRIVALENT CHROMIUM CHROMATE COATING OVER ZINC PLATING.
7. OPTIONAL CABLE CRIMP KIT AVAILABLE FOR 6.0-9.5 DIAMETER CABLE. SEE 1478764.

|           | 47.0        | 33.3        | 25.0        | 63.5        | 47.0                           | 33.3        | 25.0             | 63.5        | 47.0        | 33.3        | 25.0      | 63.5     | 47.0     | 33.3     | 25.0     |
|-----------|-------------|-------------|-------------|-------------|--------------------------------|-------------|------------------|-------------|-------------|-------------|-----------|----------|----------|----------|----------|
|           | 47.0        | 33.3        | 25.0        | 63.5        | 47.0                           | 33.3        | 25.0             | 63.5        | 47.0        | 33.3        | 25.0      | 63.5     | 47.0     | 33.3     | 25.0     |
|           | 14.6        | 14.6        | 14.6        | 15.0        | 14.6                           | 14.6        | 14.6             | 15.0        | 14.6        | 14.6        | 14.6      | 15.0     | 14.6     | 14.6     | 14.6     |
|           | 47.3        | 40.5        | 38.3        | 52.2        | 47.3                           | 39.5        | 31.0             | 69.7        | 47.3        | 39.5        | 31.0      | 69.7     | 47.3     | 39.5     | 31.0     |
|           | 53.2        | 39.5        | 31.0        | 69.7        | 53.2                           | 39.5        | 31.0             | 69.7        | 53.2        | 39.5        | 31.0      | 69.7     | 53.2     | 39.5     | 31.0     |
|           | POZIDRIV    | POZIDRIV    | POZIDRIV    | TORX        | TORX                           | TORX        | TORX             | TORX        | TORX        | TORX        | TORX      | TORX     | TORX     | TORX     | TORX     |
|           | M3          | M3          | M3          | 4-40 UNC    | 4-40 UNC                       | 4-40 UNC    | 4-40 UNC         | 4-40 UNC    | 4-40 UNC    | 4-40 UNC    | 4-40 UNC  | 4-40 UNC | 4-40 UNC | 4-40 UNC | 4-40 UNC |
|           | 3           | 2           | 1           | 4           | 3                              | 2           | 1                | 4           | 3           | 2           | 1         | 4        | 3        | 2        | 1        |
|           | 25 WAY      | 15 WAY      | 9 WAY       | 37 WAY      | 25 WAY                         | 15 WAY      | 9 WAY            | 37 WAY      | 25 WAY      | 15 WAY      | 9 WAY     | 37 WAY   | 25 WAY   | 15 WAY   | 9 WAY    |
|           | 6-1478762-7 | 6-1478762-6 | 6-1478762-5 | 5-1478762-4 | 5-1478762-3                    | 5-1478762-2 | 5-1478762-1      | 3-1478762-7 | 2-1478762-5 | 1-1478762-5 | 1478762-9 |          |          |          |          |
| PACKAGING | D           | C           | B           | A           | SELF TAPPING FIXING SCREW TYPE |             | JACKSCREW THREAD | SHELL SIZE  | POSITION    | PART NUMBER |           |          |          |          |          |

OBSOLETE

| ITEM | DESCRIPTION               | MATERIAL                                      | FINISH     | QTY |
|------|---------------------------|---|------------|-----|
| 4    | JACKSCREW ASSEMBLY, 4-40  | POLYAMIDE, UL94 V2 KNOB<br>CARBON STEEL SHAFT | BLACK<br>6 | 2   |
| 3    | STRAIN RELIEF SET         | POLYCARBONATE UL94 V0                         | BLACK      | 1   |
| 2    | SELF TAPPING FIXING SCREW | CARBON STEEL                                  | 6          | 2   |
| 1    | BACKSHELL HALF            | ZINC  | NICKEL     | 2   |

THIS DRAWING IS A CONTROLLED DOCUMENT. DIMENSIONING AND TOLERANCING PER ASME Y14.5M-2009

DW: C. VALENTINE 03/AN/2012  
CHK: C. ROHDE 03/AN/2012  
APVD: C. ROHDE 03/AN/2012

TE Connectivity  
ADK SERIES DIE-CAST BACKSHELL, STRAIGHT ENTRY

SIZE: A2 CAGE CODE: 00779 DRAWING NO: 1478762  
RESTRICTED TO: N

CUSTOMER DRAWING SCALE: NTS SHEET: 1 of 1 REV: N

## X-ON Electronics

Largest Supplier of Electrical and Electronic Components

*Click to view similar products for [D-Sub Backshells](#) category:*

*Click to view products by [TE Connectivity](#) manufacturer:*

Other Similar products are found below :

[600X54009X](#) [M85049/6-38N](#) [M85049/86-12N03](#) [M85049/90-13P03](#) [70.350.0636.4](#) [70.350.2435.1](#) [72.350.1035.2](#) [72.352.2435.1](#)  
[73.359.4035.3](#) [829472-1](#) [PCS-E20W](#) [970-015-040R011](#) [971-009-030R121](#) [971-009-040R011](#) [971-015-040R011](#) [DPH-B-003](#) [1437013-9](#)  
[1484402-8](#) [156-3025-EX](#) [16-500800](#) [165X02659X](#) [165X03329A](#) [165X03399A](#) [165X10259X](#) [165X11759X](#) [165X11889X](#) [165X11899X](#)  
[165X13019X](#) [165X13029X](#) [165X13169X](#) [165X13199X](#) [165X13239X](#) [165X13389X](#) [165X13489X](#) [165X14219X](#) [165X14429X](#)  
[165X14449X](#) [165X17409X](#) [165X17439X](#) [165X17569X](#) [165X17599X](#) [165X17609X](#) [165X17889X](#) [165X17979X](#) [L171373](#) [971-025-](#)  
[030R121](#) [300X10989X](#) [165X02609X](#) [165X02639X](#) [165X02689X](#)