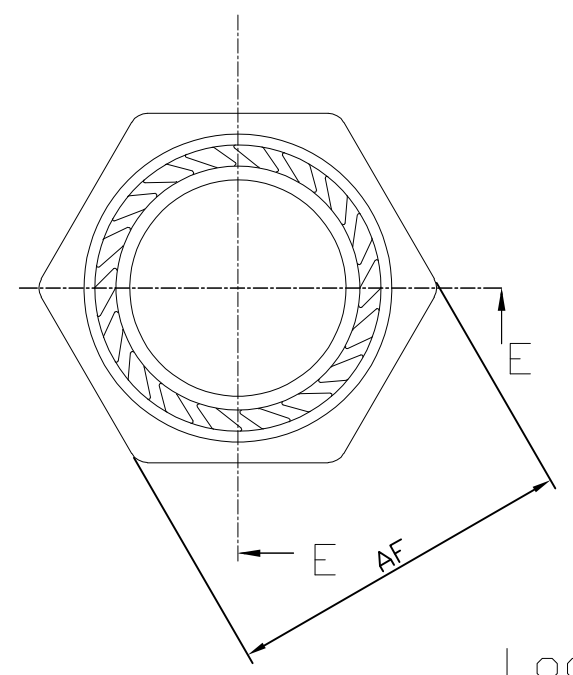


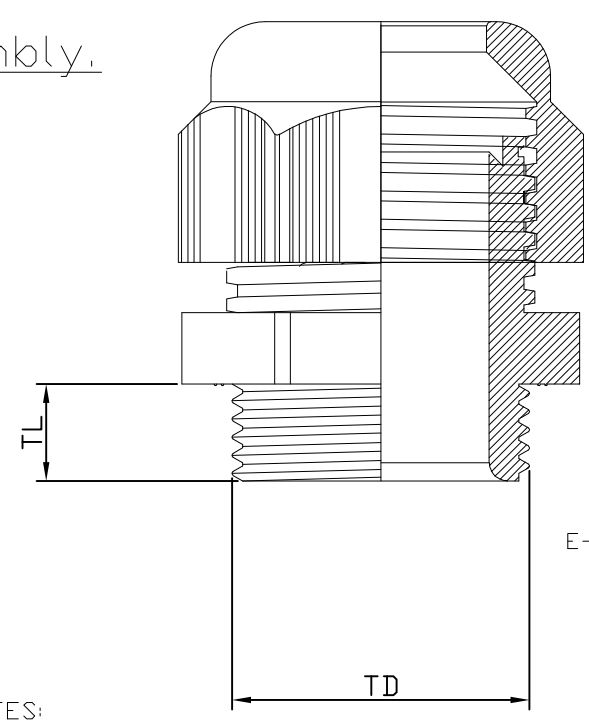
THIS DRAWING IS UNPUBLISHED. RELEASED FOR PUBLICATION
 © COPYRIGHT 2002 By - ALL RIGHTS RESERVED.

LOC	DIST	REVISIONS					
E	B	P	LTR	DESCRIPTION	DATE	DWN	APVD
			A	RELEASE FOR PRODUCTION	08-05-02	AJB	PB
			B	EBD0-0271-03	21-8-03	PB	JA
			B1	ECR-10-022205	01FEB11	KK	HMR

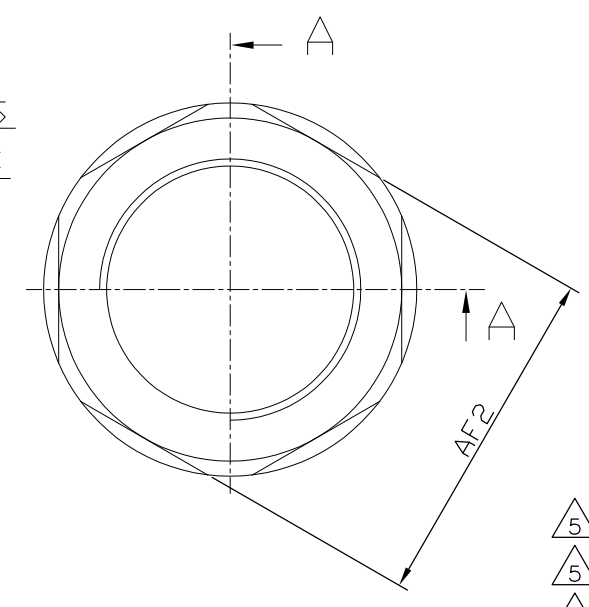


Gland and Cap Assembly.

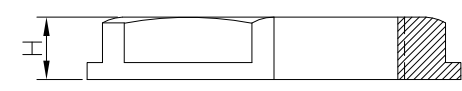
Lock Nut, (Supplied as Part of Kit)



E-E SECTION



A-A



Part No	Packing Label Description Line 1	Packing Label Description Line 2	Packing Label Description Line 3	Packing Label Description Line 4
1478768-1	Anti-Vibration Nylon Locking Gland	12mm Gland & lock Nut GREY	IP68 * Zero Halogen * VDE	Cable Range (mm) 3.0-6.5
1478768-2	Anti-Vibration Nylon Locking Gland	16mm Gland & lock Nut GREY	IP68 * Zero Halogen * VDE	Cable Range (mm) 5.0-10.0
1478768-3	Anti-Vibration Nylon Locking Gland	20mm Gland & lock Nut GREY	IP68 * Zero Halogen * VDE	Cable Range (mm) 6.0-12.0
1478768-4	Anti-Vibration Nylon Locking Gland	20mm Gland & lock Nut GREY	IP68 * Zero Halogen * VDE	Cable Range (mm) 10.0-14.0
1478768-5	Anti-Vibration Nylon Locking Gland	25mm Gland & lock Nut GREY	IP68 * Zero Halogen * VDE	Cable Range (mm) 13.0-18.0
1478768-6	Anti-Vibration Nylon Locking Gland	32mm Gland & lock Nut GREY	IP68 * Zero Halogen * VDE	Cable Range (mm) 18.0-25.0
1478768-7	Anti-Vibration Nylon Locking Gland	40mm Gland & lock Nut GREY	IP68 * Zero Halogen * VDE	Cable Range (mm) 22.0-32.0
1478768-8	Anti-Vibration Nylon Locking Gland	50mm Gland & lock Nut GREY	IP68 * Zero Halogen * VDE	Cable Range (mm) 30.0-38.0
1478768-9	Anti-Vibration Nylon Locking Gland	63mm Gland & lock Nut GREY	IP68 * Zero Halogen * VDE	Cable Range (mm) 34.0-44.0

Part No	Gland & Cap Assembly			Locknut	
	Dim TL	Dim TD	Dim AF	Dim H	Dim AF2
1478768-1	8	12	15	5	18
1478768-2	10	16	22	5	22
1478768-3	10	20	24	6	26
1478768-4	10	20	27	6	26
1478768-5	10	25	33	6	32
1478768-6	18	32	42	7	41
1478768-7	18	40	53	7	50
1478768-8	18	50	60	8	60
1478768-9	18	63	65	8	75

10	2	34.0 - 44.0	1478675-8	63mm Gland + Locknut	Grey	1478768-9
10	2	30.0 - 38.0	1478675-7	50mm Gland + Locknut	Grey	1478768-8
10	2	22.0 - 32.0	1478675-6	40mm Gland + Locknut	Grey	1478768-7
30	5	18.0 - 25.0	1478675-5	32mm Gland + Locknut	Grey	1478768-6
50	5	13.0 - 18.0	1478675-4	25mm Gland + Locknut	Grey	1478768-5
100	5	10.0 - 14.0	1478675-3	20mm Gland + Locknut	Grey	1478768-4
100	5	6.0 - 12.0	1478675-3	20mm Gland + Locknut	Grey	1478768-3
100	5	5.0 - 10.0	1478675-2	16mm Gland + Locknut	Grey	1478768-2
100	5	3.0 - 6.5	1478675-1	12mm Gland + Locknut	Grey	1478768-1
Inner Carton Qty.	Bag Qty.	Cable Range (mm)	Lock Nut Part No.	Description.	Colour.	Kit Part No.

NOTES:

- FOR TECHNICAL DATA REFER TO YOUR LOCAL TYCO ELECTRONICS SALES OFFICE.
- ALL DIMENSIONS ARE NOMINAL FOR REFERENCE ONLY UNLESS OTHERWISE STATED.
- FOR PACKAGING INFORMATION SEE PACKING SPECIFICATION 107-3293 TABLE ABOVE SHOWS PACKING LABEL DETAILS.
- 1 KIT COMPRISES OF 1 OFF GLAND & CAP (AS SHOWN) INCLUDING NEOPRENE SEAL PLUS 1 LOCK NUT (AS SHOWN SEPARATELY)
- OBSELETE

THIS DRAWING IS A CONTROLLED DOCUMENT.

DWN	A.J.Beken	30-04-02	 TE Connectivity	METRIC ANTI-VIBRATION GLAND & LOCK NUT KIT NYLON - GREY 12 - 63 mm RANGE		
CHK	P.Bates	08-05-02				
APVD	P.Bates	08-05-02				
PRODUCT SPEC						
APPLICATION SPEC			SIZE	CAGE CODE	DRAWING NO	RESTRICTED TO
WEIGHT			A3	00779	C-1478768	
CUSTOMER DRAWING			SCALE	N.T.S	SHEET	1 OF 1
					REV	B1

X-ON Electronics

Largest Supplier of Electrical and Electronic Components

Click to view similar products for [Cable Mounting & Accessories](#) category:

Click to view products by [TE Connectivity](#) manufacturer:

Other Similar products are found below :

[582603-1](#) [009333-000](#) [727844N003](#) [747](#) [809090N001](#) [843188-000](#) [8666](#) [967279N002](#) [DB-11](#) [1300840039](#) [1300900096](#) [1301800416](#)
[1302264450](#) [1300830184](#) [1300830729](#) [1300900039](#) [1301580036](#) [1301850553](#) [1301860939](#) [1302000074](#) [1302261315](#) [1302264431](#)
[1337706-2](#) [APA18-AK](#) [1724](#) [1-787307-1](#) [185491N001](#) [1868](#) [HP-6N](#) [C-202-C](#) [202C221-13-0](#) [CA7308-000](#) [8S23-75FR-CS8184](#) [2684](#) [9648](#)
[3089](#) [988382-000](#) [A72821-000](#) [AA401](#) [173506-000](#) [1823](#) [202C292-13-0](#) [202C302-13-0](#) [2109](#) [300625](#) [3330](#) [3412](#) [356247-1](#) [M9142](#)
[M9143](#)