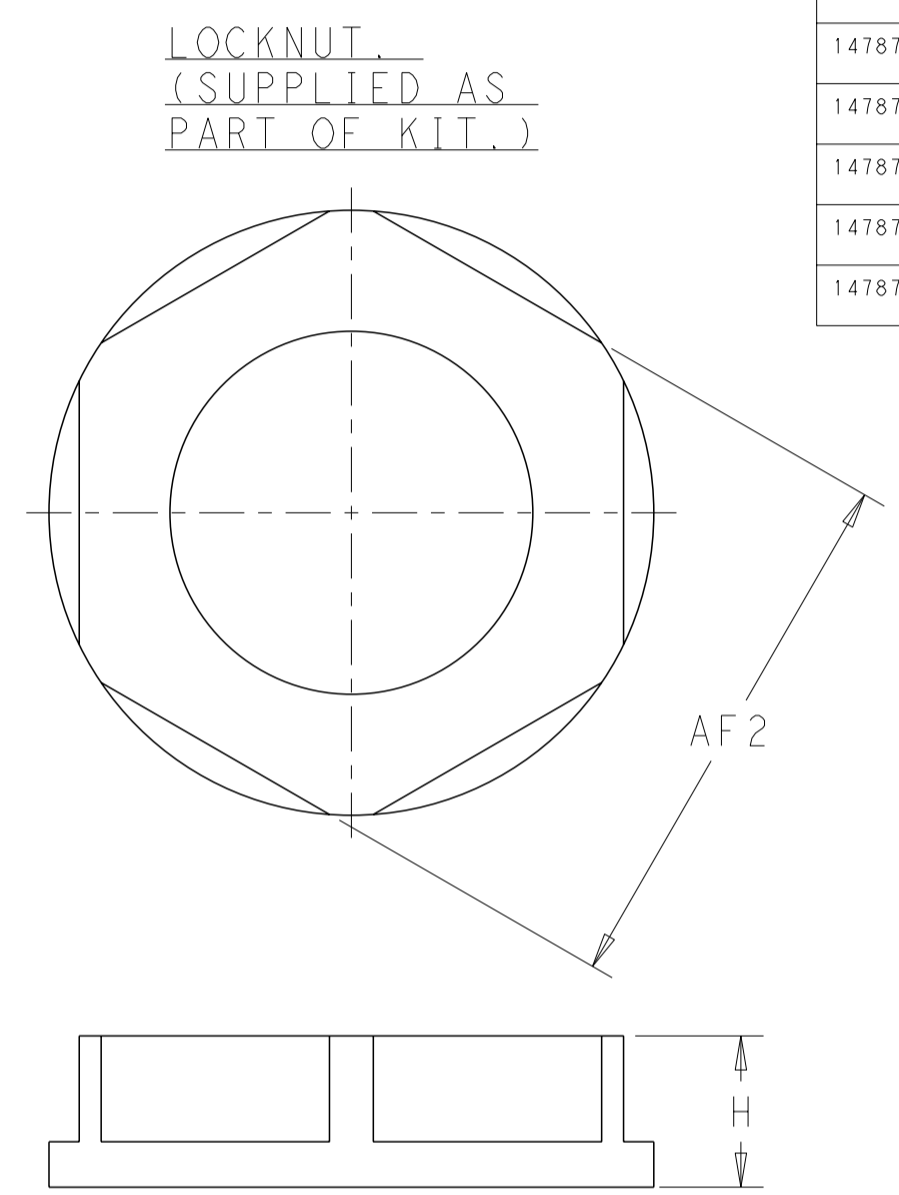
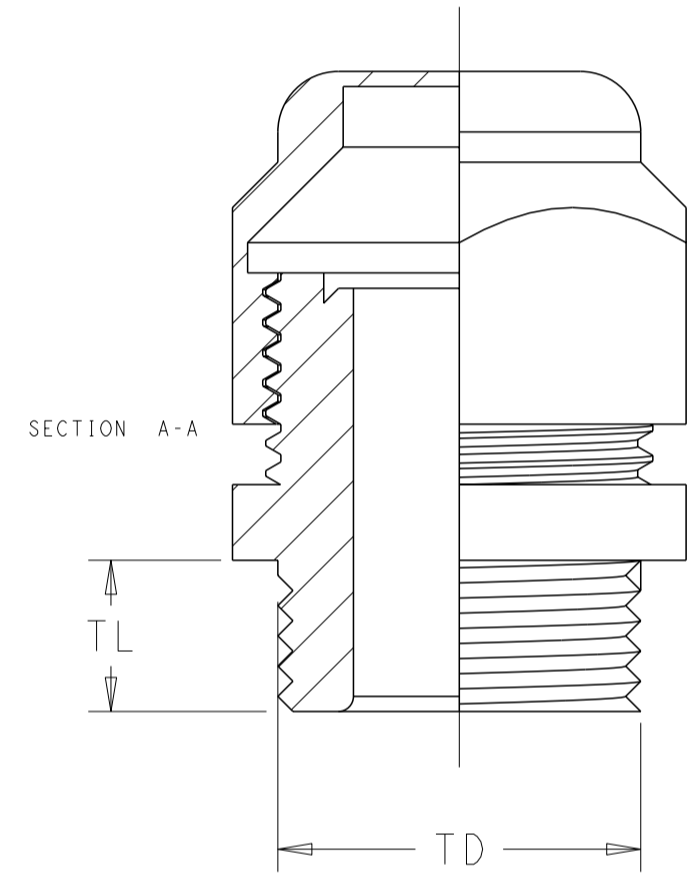
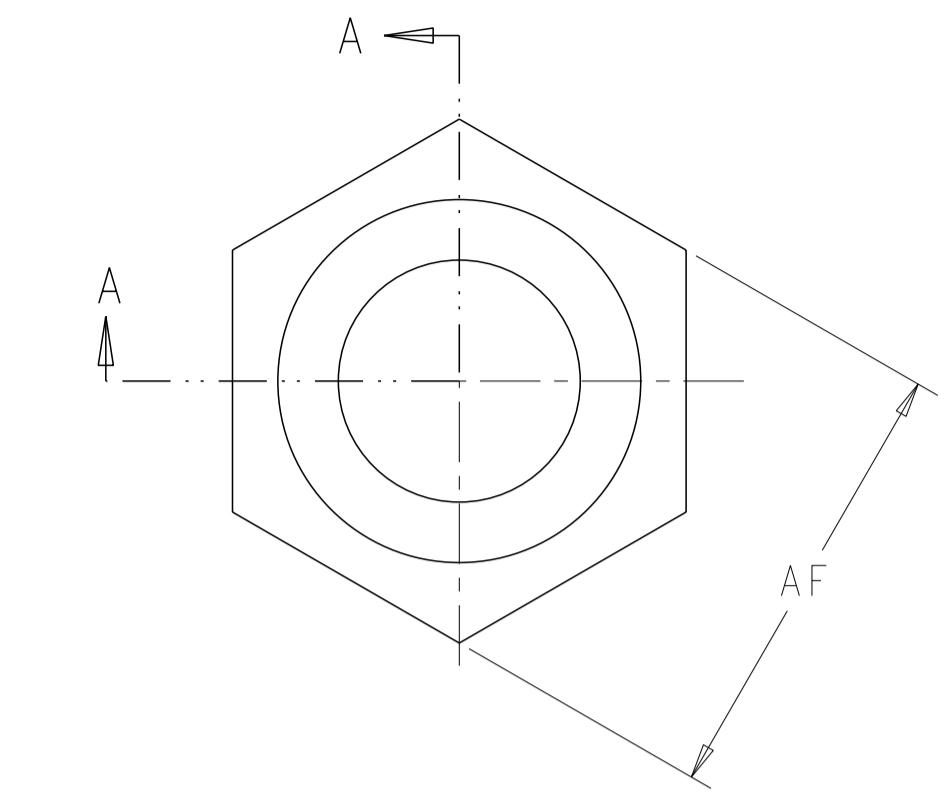


THIS DRAWING IS UNPUBLISHED. RELEASED FOR PUBLICATION 2011
 © COPYRIGHT 2011 TE CONNECTIVITY ALL RIGHTS RESERVED.

| REVISIONS | | | | | |
|-----------|-----|---------------|----------|-----|------|
| P | LTR | DESCRIPTION | DATE | DWN | APVD |
| D | | ECR-11-014341 | 12/07/11 | JB | MG |

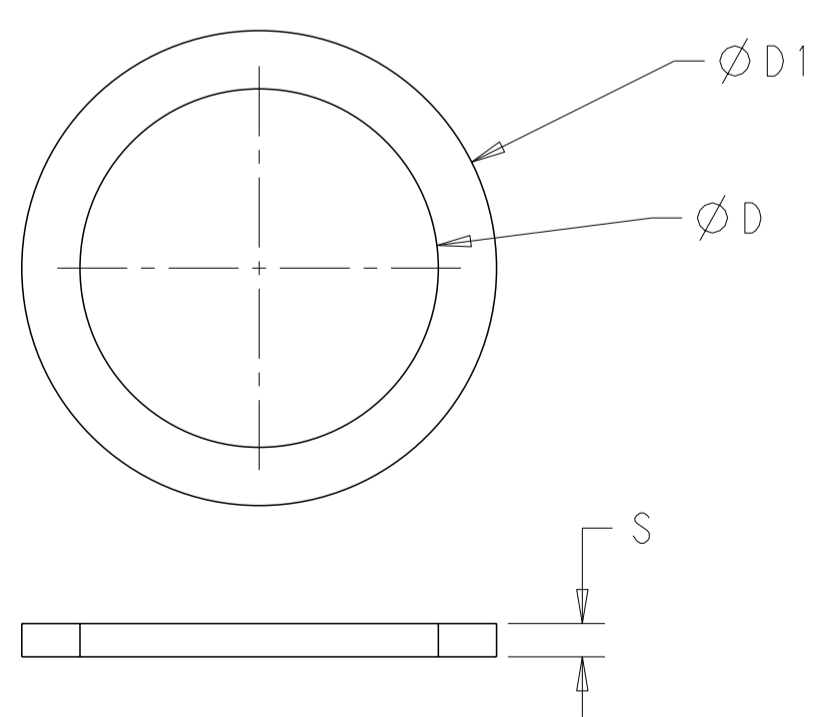


| PART No. | PACKING LABEL DESCRIPTION LINE 1 | PACKING LABEL DESCRIPTION LINE 2 | PACKING LABEL DESCRIPTION LINE 3 | PACKING LABEL DESCRIPTION LINE 4 |
|-----------|------------------------------------|----------------------------------|----------------------------------|----------------------------------|
| 1478769-1 | ANTI-VIBRATION NYLON LOCKING GLAND | 12mm GLAND & LOCK NUT BLACK | IP68 - ZERO HALOGEN - VDE | CABLE RANGE (mm) 3.0-6.5 |
| 1478769-2 | ANTI-VIBRATION NYLON LOCKING GLAND | 16mm GLAND & LOCK NUT BLACK | IP68 - ZERO HALOGEN - VDE | CABLE RANGE (mm) 5.0-10.0 |
| 1478769-3 | ANTI-VIBRATION NYLON LOCKING GLAND | 20mm GLAND & LOCK NUT BLACK | IP68 - ZERO HALOGEN - VDE | CABLE RANGE (mm) 6.0-12.0 |
| 1478769-4 | ANTI-VIBRATION NYLON LOCKING GLAND | 20mm GLAND & LOCK NUT BLACK | IP68 - ZERO HALOGEN - VDE | CABLE RANGE (mm) 10.0-14.0 |
| 1478769-5 | ANTI-VIBRATION NYLON LOCKING GLAND | 25mm GLAND & LOCK NUT BLACK | IP68 - ZERO HALOGEN - VDE | CABLE RANGE (mm) 13.0-18.0 |
| 1478769-6 | ANTI-VIBRATION NYLON LOCKING GLAND | 32mm GLAND & LOCK NUT BLACK | IP68 - ZERO HALOGEN - VDE | CABLE RANGE (mm) 18.0-25.0 |

| PART No | GLAND & CAP ASSEMBLY | | | LOCKNUT | | RECOMMENDED WASHER | | |
|-----------|----------------------|--------|--------|---------|---------|--------------------|----------|---------|
| | DIM TL | DIM TD | DIM AF | DIM H | DIM AF2 | D | D1 | S |
| 1478769-1 | 8 | 12 | 15 | 5 | 18 | 11.85±0.2 | 15.7±0.2 | 1.1±0.2 |
| 1478769-2 | 10 | 16 | 22 | 5 | 22 | 15.7±0.2 | 25.8±0.2 | 1.6±0.2 |
| 1478769-3 | 10 | 20 | 24 | 6 | 26 | 19.7±0.2 | 26.7±0.2 | 1.6±0.2 |
| 1478769-4 | 10 | 20 | 27 | 6 | 26 | 19.7±0.2 | 26.7±0.2 | 1.6±0.2 |
| 1478769-5 | 10 | 25 | 33 | 6 | 32 | 24.7±0.2 | 31.6±0.2 | 1.5±0.2 |
| 1478769-6 | 18 | 32 | 42 | 7 | 41 | 31.9±0.2 | 41.6±0.2 | 1.5±0.2 |

| INNER CARTON QTY. | BAG QTY. | CABLE RANGE (mm) | LOCK NUT PART No. | DESCRIPTION. | COLOUR. | KIT PART No. |
|-------------------|----------|------------------|-------------------|----------------------|---------|--------------|
| 30 | 5 | 18.0-25.0 | 1478676-5 | 32mm GLAND + LOCKNUT | BLACK | 1478769-6 |
| 50 | 5 | 13.0-18.0 | 1478676-4 | 25mm GLAND + LOCKNUT | BLACK | 1478769-5 |
| 100 | 5 | 10.0-14.0 | 1478676-3 | 20mm GLAND + LOCKNUT | BLACK | 1478769-4 |
| 100 | 5 | 6.0-12.0 | 1478676-3 | 20mm GLAND + LOCKNUT | BLACK | 1478769-3 |
| 100 | 5 | 5.0-10.0 | 1478676-2 | 16mm GLAND + LOCKNUT | BLACK | 1478769-2 |
| 100 | 5 | 3.0-6.5 | 1478676-1 | 12mm GLAND + LOCKNUT | BLACK | 1478769-1 |

RECOMMENDED WASHER DIMENSIONS



- NOTES:
- FOR TECHNICAL DATA REFER TO YOUR LOCAL TE CONNECTIVITY SALES OFFICE
 - ALL DIMENSIONS ARE NOMINAL FOR REFERENCE ONLY UNLESS OTHERWISE STATED
 - FOR PACKING INFORMATION SEE PACKING SPECIFICATION 107-3293 TABLE ABOVE SHOWS PACKING LABEL DETAILS.
 - 1 KIT COMPRISES OF 1 OFF GLAND & CAP (AS SHOWN) INCLUDING NEOPRENE SEAL PLUS 1 LOCK NUT (AS SHOWN SEPERATELY)
 - PLEASE NOTE WASHER IS NOT INCLUDED IN KIT.

| | | | | |
|--|--|--------------------------------|---|--|
| THIS DRAWING IS A CONTROLLED DOCUMENT. | | DWN J. BRIGHT 12/07/11 | TE Connectivity | |
| DIMENSIONS: mm | | CHK M. GREENER 12/07/11 | | |
| TOLERANCES UNLESS OTHERWISE SPECIFIED: | | APVD D. PENNINGTON 12/07/11 | NAME METRIC ANTI-VIBRATION GLAND + LOCKNUT KIT | |
| 0 PLC ± 1 PLC ± 2 PLC ± 3 PLC ± 4 PLC ± ANGLES ±0.5 FINISH | | PRODUCT SPEC - | SIZE A200779 | |
| MATERIAL SEE ABOVE. | | APPLICATION SPEC - | DRAWING NO C-1478769 | |
| | | WEIGHT - | RESTRICTED TO - | |
| | | CUSTOMER DRAWING | SCALE 4:1 SHEET 1 OF 1 REV D | |

X-ON Electronics

Largest Supplier of Electrical and Electronic Components

Click to view similar products for [Cable Mounting & Accessories](#) category:

Click to view products by [TE Connectivity](#) manufacturer:

Other Similar products are found below :

[582603-1](#) [009333-000](#) [727844N003](#) [747](#) [809090N001](#) [843188-000](#) [8666](#) [967279N002](#) [DB-11](#) [1300840039](#) [1300900096](#) [1301800416](#)
[1302264450](#) [1300830184](#) [1300830729](#) [1300900039](#) [1301580036](#) [1301850553](#) [1301860939](#) [1302000074](#) [1302261315](#) [1302264431](#)
[1337706-2](#) [APA18-AK](#) [1724](#) [1-787307-1](#) [185491N001](#) [1868](#) [HP-6N](#) [C-202-C](#) [202C221-13-0](#) [CA7308-000](#) [8S23-75FR-CS8184](#) [2684](#) [9648](#)
[3089](#) [988382-000](#) [A72821-000](#) [AA401](#) [173506-000](#) [1823](#) [202C292-13-0](#) [202C302-13-0](#) [2109](#) [300625](#) [3330](#) [3412](#) [356247-1](#) [M9142](#)
[M9143](#)