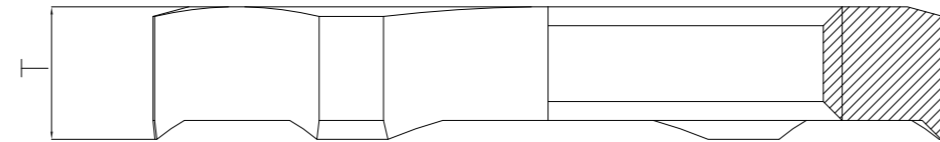
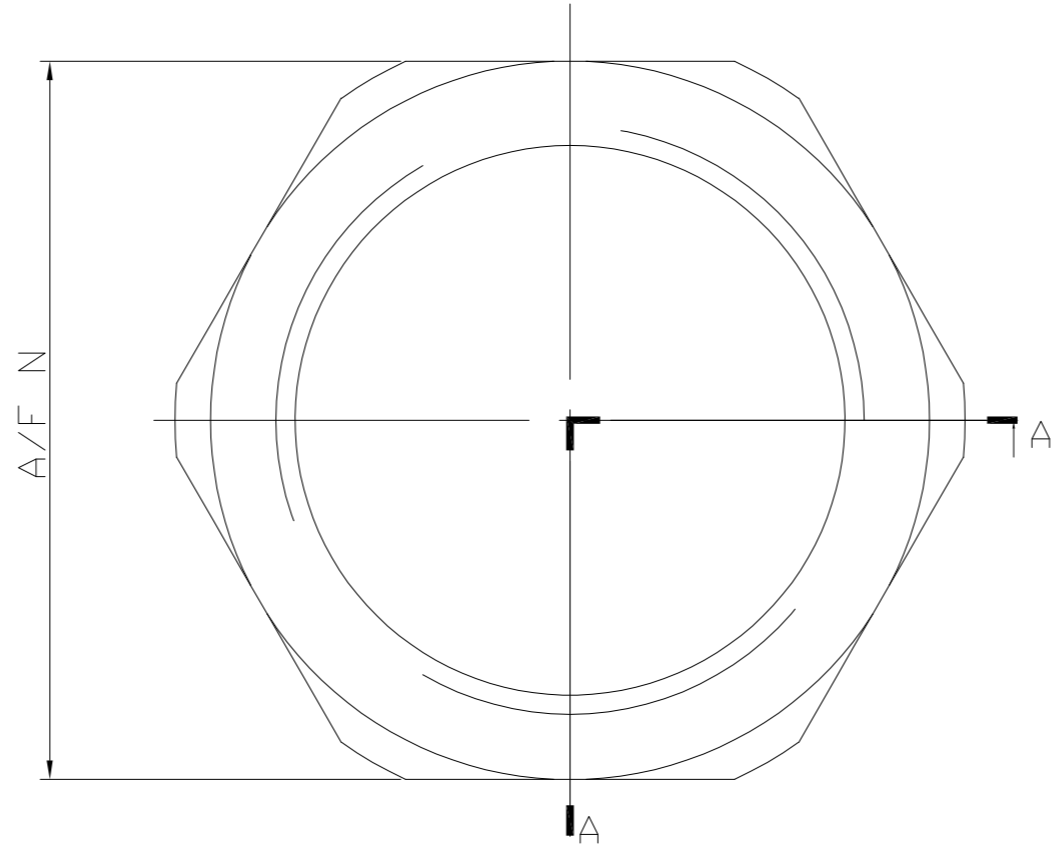
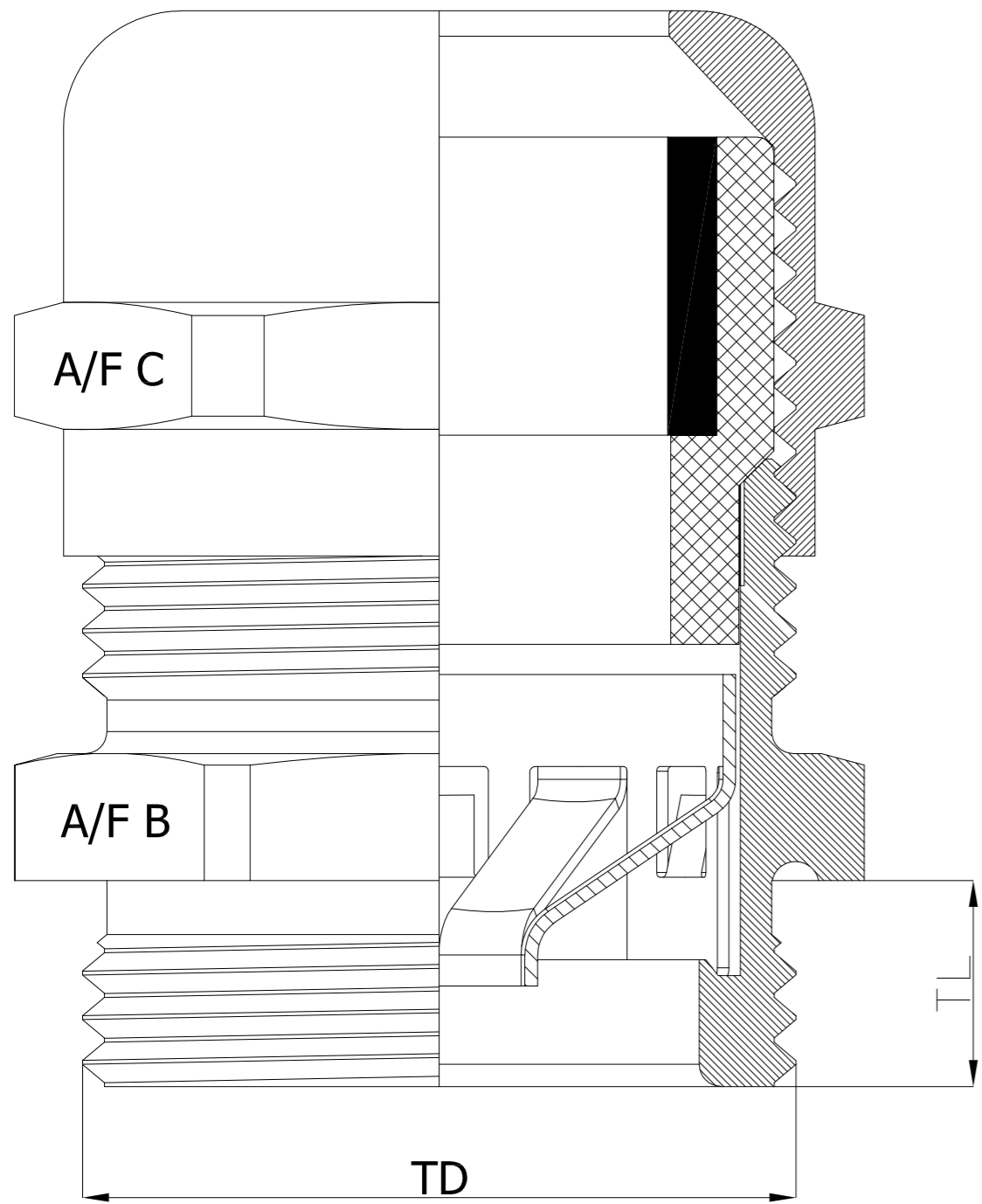


THIS DRAWING IS UNPUBLISHED. RELEASED FOR PUBLICATION
 © COPYRIGHT - By - ALL RIGHTS RESERVED.

LOC		DIST		REVISIONS			
P	LTR	DESCRIPTION		DATE	DWN	APVD	
E	B	E2	REVISED PER ECO-15-005875	16FEB2015	NK	JW	

GLAND ASSEMBLY

LOCKNUT



SECTION A-A

NOTES:

- FOR TECHNICAL DATA REFER TO YOUR LOCAL TYCO ELECTRONICS SALES OFFICE.
- ALL DIMENSIONS ARE NOMINAL FOR REFERENCE ONLY UNLESS OTHERWISE STATED.
- FOR PACKAGING INFORMATION SEE PACKING SPECIFICATION 107-3315 TABLE ABOVE SHOWS PACKING LABEL DETAILS.
- 1 ASSEMBLY COMPRISES OF 1 OFF GLAND & CAP (AS SHOWN) INCLUDING NEOPRENE SEAL.

SIZE	TD mm	TL mm	T mm	Min. Shield Diameter mm	A/F BODY	A/F CAP	A/F NUT	Clamping Range ø mm	
M12x1,5	12.0	12.0	3.3	2.5	14	14	15	3.0	6.5
M16x1,5	16.0	12.0	3.5	3.0	20	20	19	4.0	8.0
M20x1,5	20.0	12.0	3.6	5.0	22	22	24	6.0	12.0
M25x1,5	25.0	12.0	3.5	8.0	27	24	30	10.0	14.0
M32x1,5	32.0	15.0	4.0	11.0	34	30	36	13.0	18.0
M40x1,5	40.0	15.0	4.6	16.0	43	40	46	18.0	25.0
M50x1,5	50.0	15.0	5.5	19.0	55	50	60	22.0	32.0
M63x1,5	63.0	18.0	6.7	30.0	68	64	70	34.0	44.0

Bag with TE Label & Instruction Sheet	1	Metric EMC Gland M63x1.5	Nickel Plate	1478884-8
	1	Metric EMC Gland M50x1.5	Nickel Plate	1478884-7
	1	Metric EMC Gland M40x1.5	Nickel Plate	1478884-6
	1	Metric EMC Gland M32x1.5	Nickel Plate	1478884-5
	5	Metric EMC Gland M25x1.5	Nickel Plate	1478884-4
	5	Metric EMC Gland M20x1.5	Nickel Plate	1478884-3
	5	Metric EMC Gland M16x1.5	Nickel Plate	1478884-2
	5	Metric EMC Gland M12x1.5	Nickel Plate	1478884-1
	Packaging Style	Bag Qty	Description	Finish

Part No.	Packing Label Description Line 1	Packing Label Description Line 2	Packing Label Description Line 3	Packing Label Description Line 4	Active / Obsolete
1478884-1	EMC Gland with Locknut	M12x1.5 (Long Thread 12mm)	Brass Nickel Plated	IP 68	
1478884-2	EMC Gland with Locknut	M16x1.5 (Long Thread 12mm)	Brass Nickel Plated	IP 68	
1478884-3	EMC Gland with Locknut	M20x1.5 (Long Thread 12mm)	Brass Nickel Plated	IP 68	
1478884-4	EMC Gland with Locknut	M25x1.5 (Long Thread 12mm)	Brass Nickel Plated	IP 68	
1478884-5	EMC Gland with Locknut	M32x1.5 (Long Thread 15mm)	Brass Nickel Plated	IP 68	
1478884-6	EMC Gland with Locknut	M40x1.5 (Long Thread 15mm)	Brass Nickel Plated	IP 68	
1478884-7	EMC Gland with Locknut	M50x1.5 (Long Thread 15mm)	Brass Nickel Plated	IP 68	Obsolete
1478884-8	EMC Gland with Locknut	M63x1.5 (Long Thread 18mm)	Brass Nickel Plated	IP 68	

THIS DRAWING IS A CONTROLLED DOCUMENT.

DWN: P.Bates 6/11/02
 CHK: F.W.King 6-11-02
 APVD: F.W.King 6-11-02

TE Connectivity

EMC GLAND AND LOCKNUT
 BRASS - NICKEL PLATE (M12 - M63)

SIZE: A2 CAGE CODE: 00779 DRAWING NO: 1478884 RESTRICTED TO: -

SCALE: 1:1 SHEET: 1 of 1 REV: E2

X-ON Electronics

Largest Supplier of Electrical and Electronic Components

Click to view similar products for [Circular Metric Connectors](#) category:

Click to view products by [TE Connectivity](#) manufacturer:

Other Similar products are found below :

[1424048](#) [1021212](#) [600X518037X](#) [6STD09SAM99B70X](#) [6STD15PCR99B70A](#) [8R4000A16M020](#) [1200910002](#) [1201150041](#) [1203580030](#)
[1200700064](#) [1200700263](#) [1200700416](#) [1200730102](#) [1200770002](#) [1-2823588-2](#) [130203-0054](#) [1300140026](#) [1300150099](#) [1-3637-600-5205](#)
[1545399](#) [1594331](#) [1600413](#) [1612606](#) [1612618](#) [1614660](#) [1A4000-348](#) [CA06EW24-10P-B-03](#) [21036836414](#) [2823064-1](#) [1610759](#) [A1642LK-](#)
[II-T](#) [1R3006A20M005](#) [41-01016](#) [41-40011](#) [41-40017](#) [42-00006](#) [42-01015](#) [4-22279-4](#) [4-22281-1](#) [4-22284-9](#) [43-00002](#) [43-00113](#) [43-00130](#)
[43-01028](#) [43-01034](#) [43-01088](#) [43-01090](#) [43-01203](#) [43-01209](#) [43-01335](#)