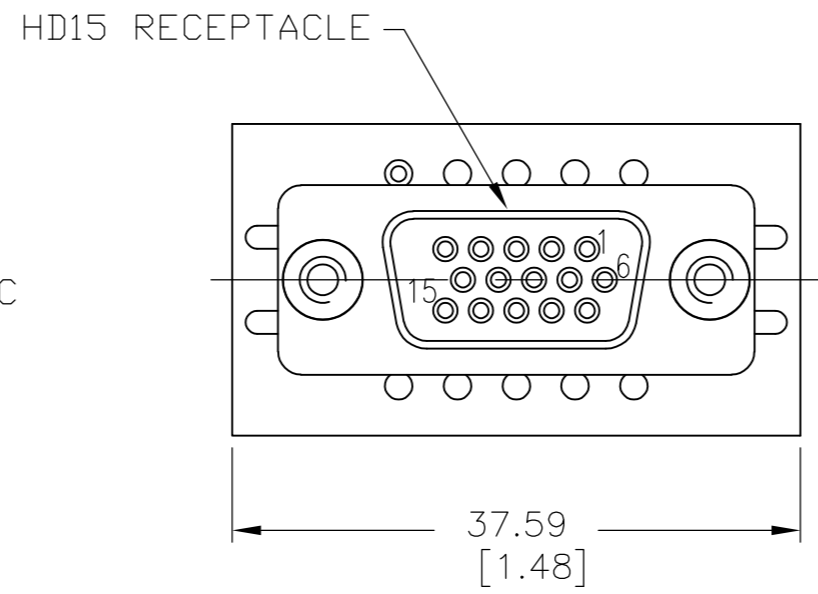


THIS DRAWING IS UNPUBLISHED. RELEASED FOR PUBLICATION  
 © COPYRIGHT BY TYCO ELECTRONICS CORPORATION. ALL RIGHTS RESERVED.

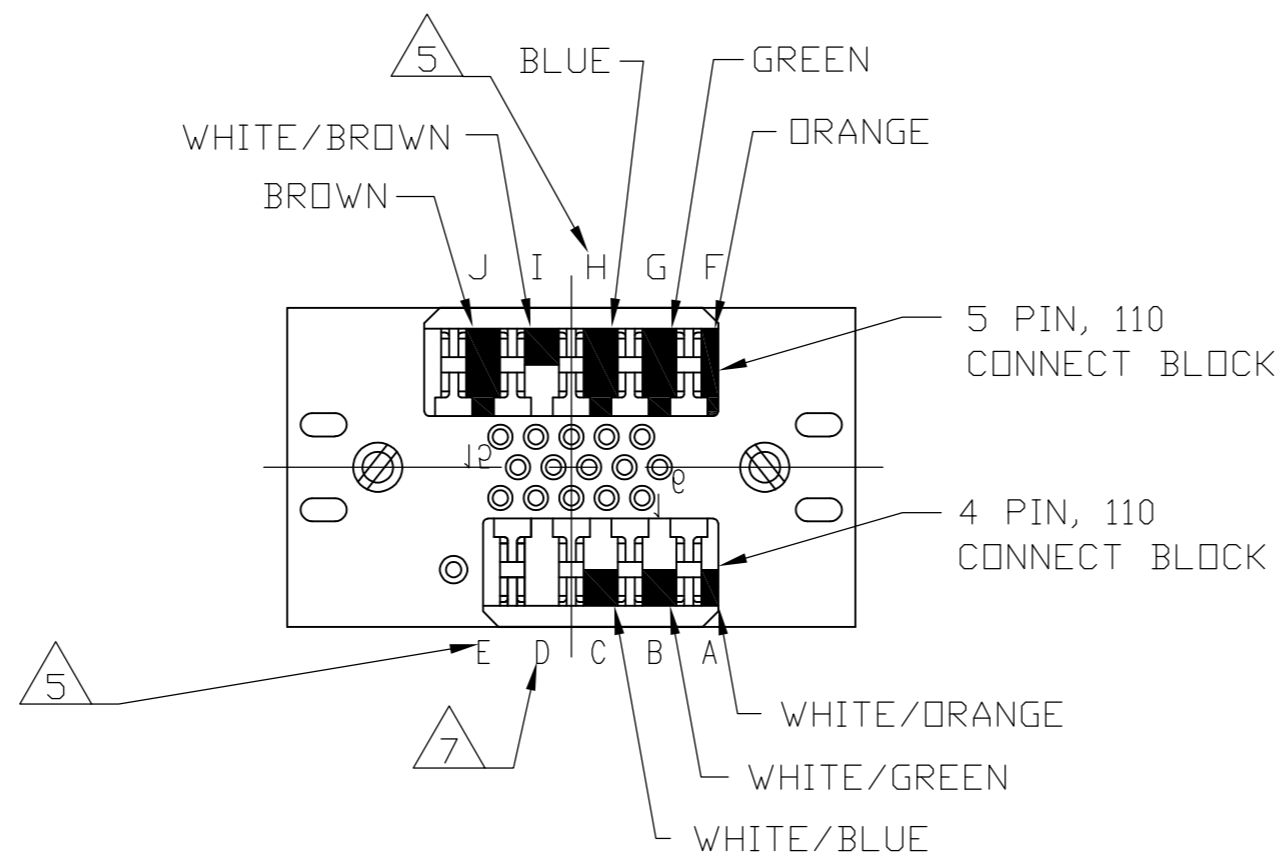
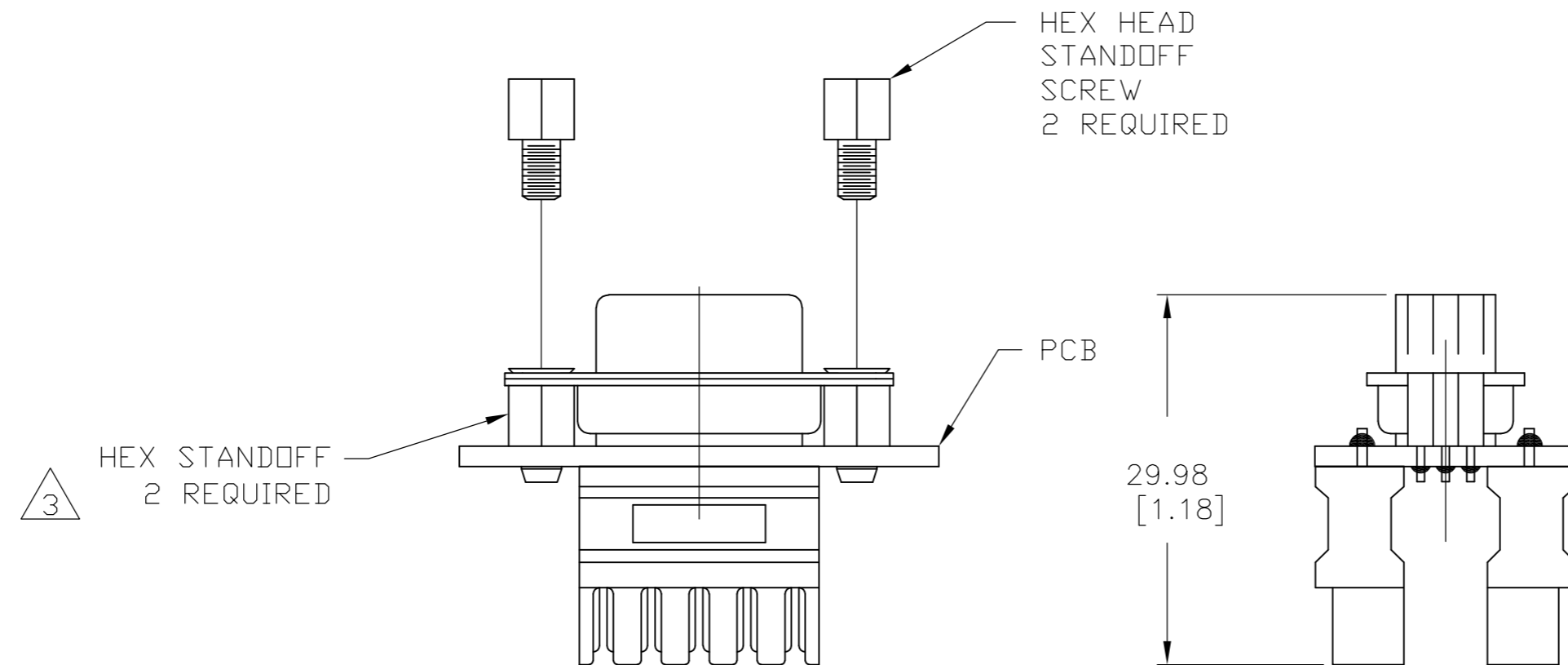
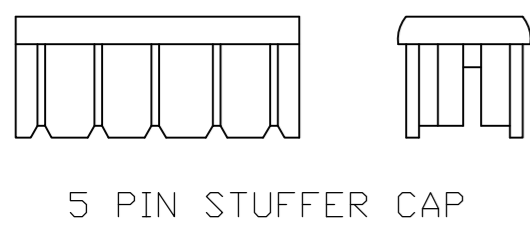
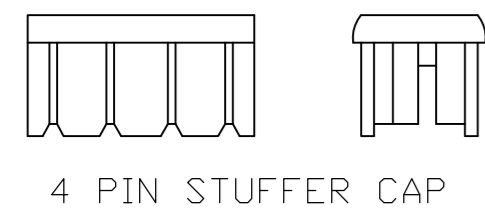
LOC	DIST	REVISIONS					
HM	00	P	LTR	DESCRIPTION	DATE	DWN	APVD
		A		RLSD-EC 0B40-0162-03	26JUN03	LH	GB
		B		REV ECD-08-004856	03MAR08	LH	SA

### WIRING DIAGRAM

COLOR	TERMINAL BLOCK	HD 15 PIN	SIGNAL
WHT/DRG	A	1	RED INPUT
WHT/GRN	B	2	GREEN INPUT
WHT/BLU	C	3	BLUE INPUT
	4	4,5,10,11	GND HORIZ/VERT,SYNC
	E	GND(S)	
ORANGE	F	6	GND RED
GREEN	G	7	GND GREEN
BLUE	H	8	GND BLUE
W/BRN	I	13	HORIZ SYNC
BROWN	J	14	VERT SYNC



- 1 DIMENSIONS ARE NOMINAL UNLESS OTHERWISE SPECIFIED.
- 2. DIMENSIONS IN BRACKETS[] ARE IN INCHES.
- 3. ASSEMBLY TO BE PACKAGED IN INDIVIDUAL POLYBAG, INCLUDING PCB ASSEMBLY, 2 STUFFER CAPS AND 2 HEX DEAD STAND-OFF SCREWS.
- 4 TERMINAL BLOCK "D" IDENTIFER FOR HORIZ/VERT SYNC IS NOT USED WITH UNSHIELDED TWISTED PAIR CABLE.
- 5 TERMINAL BLOCK CHARACTER IDENTIFIERS ARE SHOWN FOR REFERENCE ONLY. CONNECTOR BLOCKS ARE NOT MARKED WITH CHARACTERS.
- 6. 110 BLOCK WILL TERMINATE 22-26 AWG SOLID CONDUCTOR WITH MAXIMUN INSULATING DIAMETER OF 1.27 [0.050].
- 7 USED TO TERMINATE DRAIN WIRE OF SHIELDED TWISTED PAIR CABLE.



1479287-2  
PART NO.

THIS DRAWING IS A CONTROLLED DOCUMENT.		DWN L. HALL 26JUN03	Tyco Electronics Corporation Harrisburg, PA 17105-3608	
DIMENSIONS: mm [INCHES]		CHK G. BOWMAN 26JUN03		
TOLERANCES UNLESS OTHERWISE SPECIFIED:		APVD G. BOWMAN 26JUN03	NAME ASSEMBLY, SVGA	
0 PLC ± -	1	PRODUCT SPEC	RESTRICTED TO	
1 PLC ± -		APPLICATION SPEC	SIZE A2	CAGE CODE 00779
2 PLC ± -		WEIGHT -	DRAWING NO C=1479287	
3 PLC ± -		CUSTOMER DRAWING	SCALE 2:1	SHEET 1 of 1
4 PLC ± -				REV B
ANGLES ± -				
FINISH -				

## X-ON Electronics

Largest Supplier of Electrical and Electronic Components

*Click to view similar products for [D-Sub High Density Connectors](#) category:*

*Click to view products by [TE Connectivity](#) manufacturer:*

Other Similar products are found below :

[97-3250-11](#) [163A17089X](#) [164A17199X](#) [164C18629X](#) [L717HDB44POL2R210](#) [L717HDEH15POL2](#) [L777HDE15P](#) [L77HDE15SC309](#)  
[163A16759X](#) [163A16839X](#) [163A16989X](#) [163A17079X](#) [164A17329X](#) [164A18219X](#) [241A16440X](#) [241A16550X](#) [241A16680X](#)  
[241A20810X](#) [241A25740X](#) [CT25-44P](#) [MDBE15PE766](#) [L177HDE15SOL2RM23](#) [L177HRC62SVFM](#) [L177HRCG62S](#)  
[L717HDEG15POL2RM5](#) [L77HDA26SVF](#) [L77HDE15SD1CO](#) [L77HDEH15SOL2RM832](#) [DAMA-15S-WS](#) [443895-3](#) [106698-1](#) [280-](#)  
[012K2C](#) [DBMV13H3SNA197](#) [L177HRB44S](#) [164A17039X](#) [09562004701510](#) [L777HRC62P](#) [241A17960X](#) [164A18269X](#) [280-019S1S9MEN](#)  
[L777HDEG15P](#) [280-018P3S25MEGN](#) [206504-2](#) [40-9515HDSP](#) [2057140-1](#) [C115370-6002](#) [DFMA104SNMBFR172FR022](#) [HDC9F200E2S](#)  
[L717HDAG26POL2RM8](#) [241A28180X](#)