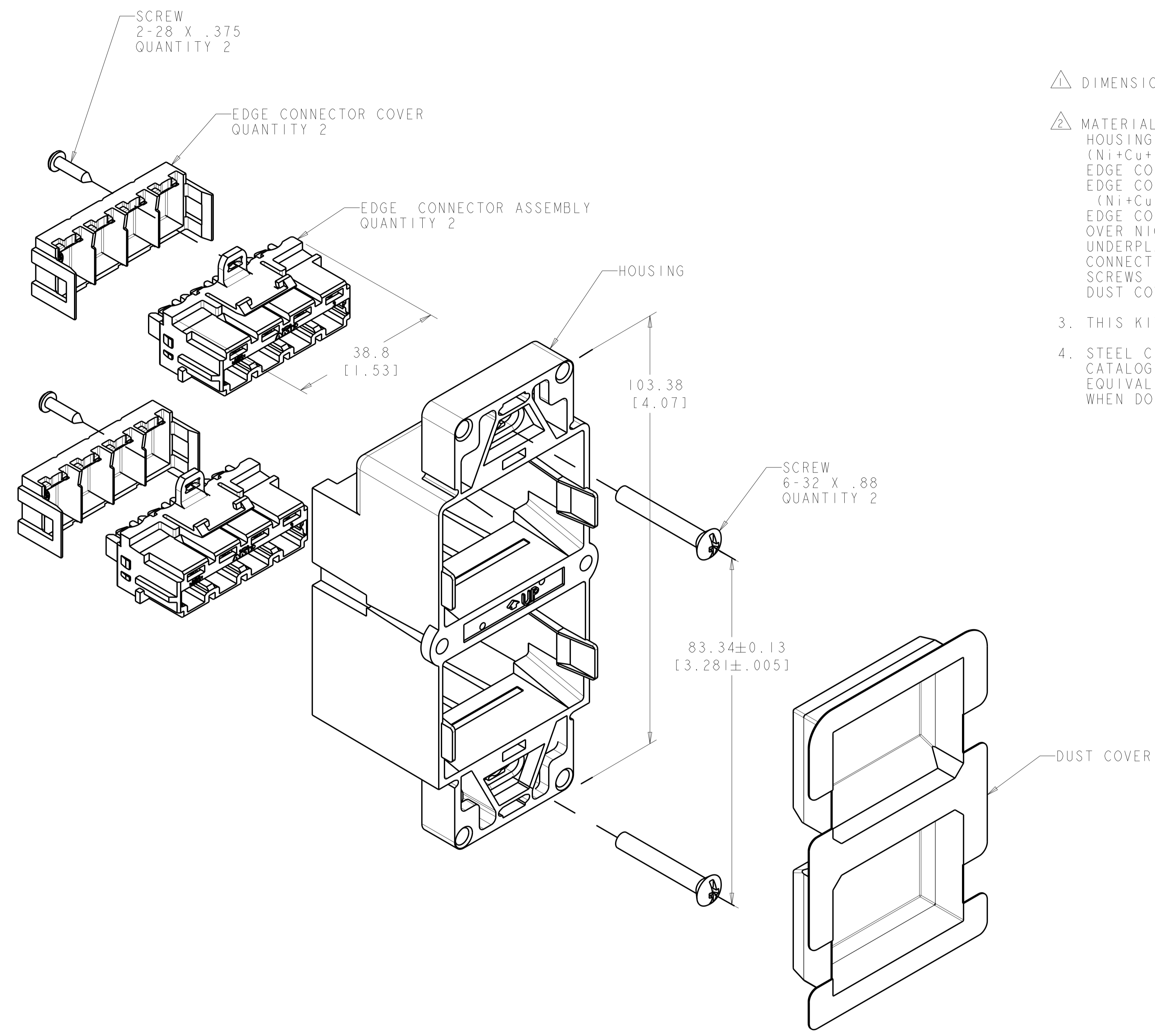


REVISIONS				
REV	LTN	DESCRIPTION	DATE	APPROV
A	RLSD	NSD02-080	20NOV2002	LS CD
B	REV-EC	0B40-0187-04	08-FEB-2017	LH CC
C	REV PER	BNS_CD_BRAND	08FEB2017	GG DC



- ⚠ DIMENSIONS ARE MAXIMUM UNLESS OTHERWISE SHOWN.
- ⚠ MATERIAL:  
 HOUSING - ABS MOLDING COMPOUND, BLACK, NICKEL PLATED (Ni+Cu+Ni).  
 EDGE CONNECTOR HOUSING - ABS MOLDED COMPOUND, NICKEL PLATED (Ni+Cu+Ni).  
 EDGE CONNECTOR COVERS - ABS MOLDING COMPOUND, NICKEL PLATED (Ni+Cu+Ni).  
 EDGE CONNECTOR TERMINALS - PHOSPHOR BRONZE WITH GOLD PLATE OVER NICKEL PLATE IN CONTACT AREA AND TIN OVER NICKEL UNDERPLATE IN TERMINATION AREA.  
 CONNECTION MODULES - POLYCARBONATE, GRAY  
 SCREWS - ZINC PLATED CARBON STEEL.  
 DUST COVER - 0.26[.010] THICK, CLEAR PVC.
3. THIS KIT SHIPPED ASSEMBLED EXCEPT FOR EDGE CONNECTOR COVERS.
4. STEEL CITY 4 INCH SQUARE DEVICE COVER FOR TWO DEVICES - CATALOG SERIES 52-C (OR TYCO ELECTRONICS APPROVED EQUIVALENT) IS RECOMMENDED FOR PROPER INSTALLATION WHEN DOUBLE GANG APPLICATION IS REQUIRED.

1479306-1  
PART NO.

THIS DRAWING IS A CONTROLLED DOCUMENT.		DWN L. SMITH 03NOV2002	COMMSCOPE, INC.
DIMENSIONS: MM [INCHES]		CHK G. GARRETT 03JAN2003	
TOLERANCES UNLESS OTHERWISE SPECIFIED:		APVD C. DOOLEY 03JAN2003	NAME INSTALL KIT, DUAL PORT, SHALLOW, ACO, CAT6
0 PLC ±	⚠	PRODUCT SPEC	SIZE A1
1 PLC ±		APPLICATION SPEC	CAGE CODE C=1479306
2 PLC ±		RESTRICTED TO	SCALE 2:1
3 PLC ±		WEIGHT	SHEET 1 OF 1
4 PLC ±	FINISH	REV C	
ANGLES ±			

## X-ON Electronics

Largest Supplier of Electrical and Electronic Components

*Click to view similar products for [Modular Connectors / Ethernet Connectors](#) category:*

*Click to view products by [TE Connectivity](#) manufacturer:*

Other Similar products are found below :

[8949-H88/06BLKA/SN](#) [74441-0010/BKN](#) [MP1010RX-1000](#) [MP44RX-1000](#) [PHJ-4P4C-1-V-4](#) [PHP-6P6C-5](#) [GAX-3-66](#) [GAX-8-62](#) [GDCX-PA-66-50](#) [GDCX-PN-64](#) [GDCX-PN-66](#) [GDCX-PN-66-50](#) [GDLX-A-66](#) [GDLX-N-66](#) [GDLX-S-66](#) [GDLX-S-88K](#) [GDTX-S-88-50](#) [GDX-PA-1010](#) [GLX-N-1010M-BLK](#) [GLX-S-88M-BLK](#) [GMX-N-1010](#) [GMX-S-1010](#) [GMX-S-66](#) [GMX-SMT4-N-88](#) [GPX-2-64](#) [GSGX-N-2-88](#) [GSGX-N-4-88](#) [GSX-NS2-88-3.05](#) [GSX-NS2-88-3.05-50](#) [GSX-NS-88-3.05-50](#) [PT-108A-8C-UL](#) [PT-J951-8C](#) [PTS-J531-8CS-50UL](#) [1-1775629-2](#) [A-2014-0-4](#) [GWLX-S-88-GR](#) [GWLX-S9-88-YG](#) [DC-1021-8-WH-6](#) [1300530003](#) [1324640-4](#) [RJ11FTVC2G](#) [RJ11FTVC2N](#) [RJFTVX2SA1G](#) [132764-001](#) [1413235](#) [MP88X-1000](#) [MPS88RX-5000](#) [E5288-S000K3-L](#) [E5908-15A242-L](#) [155302-001](#)