

4

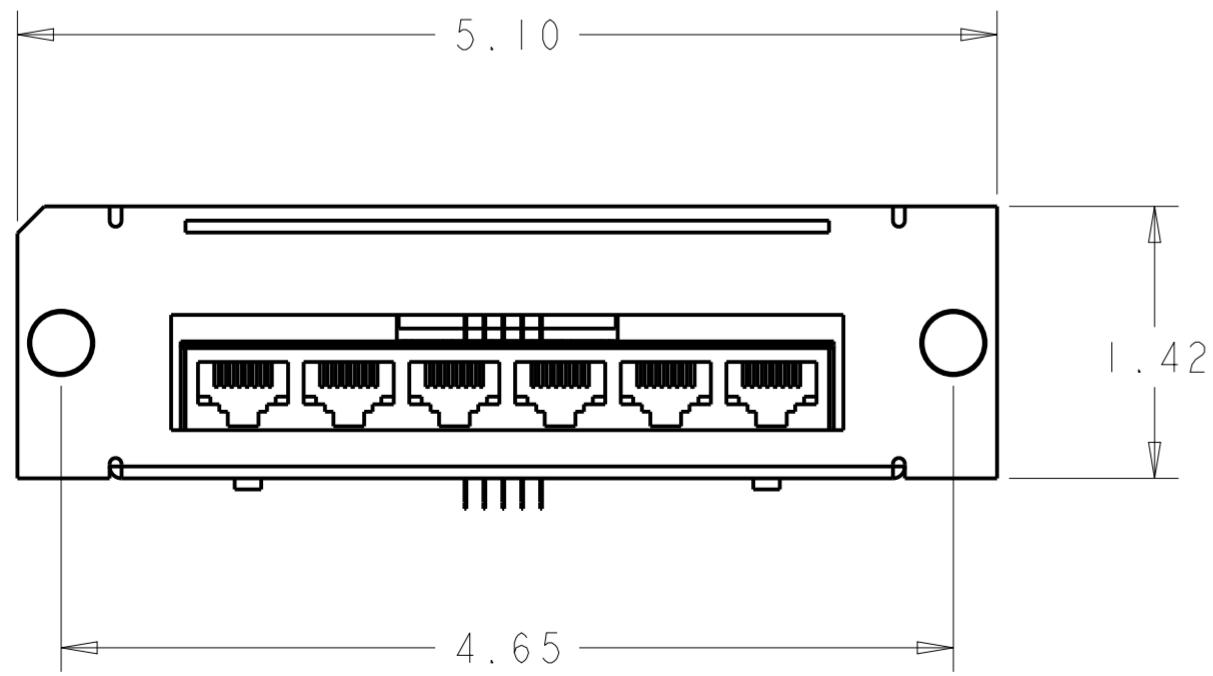
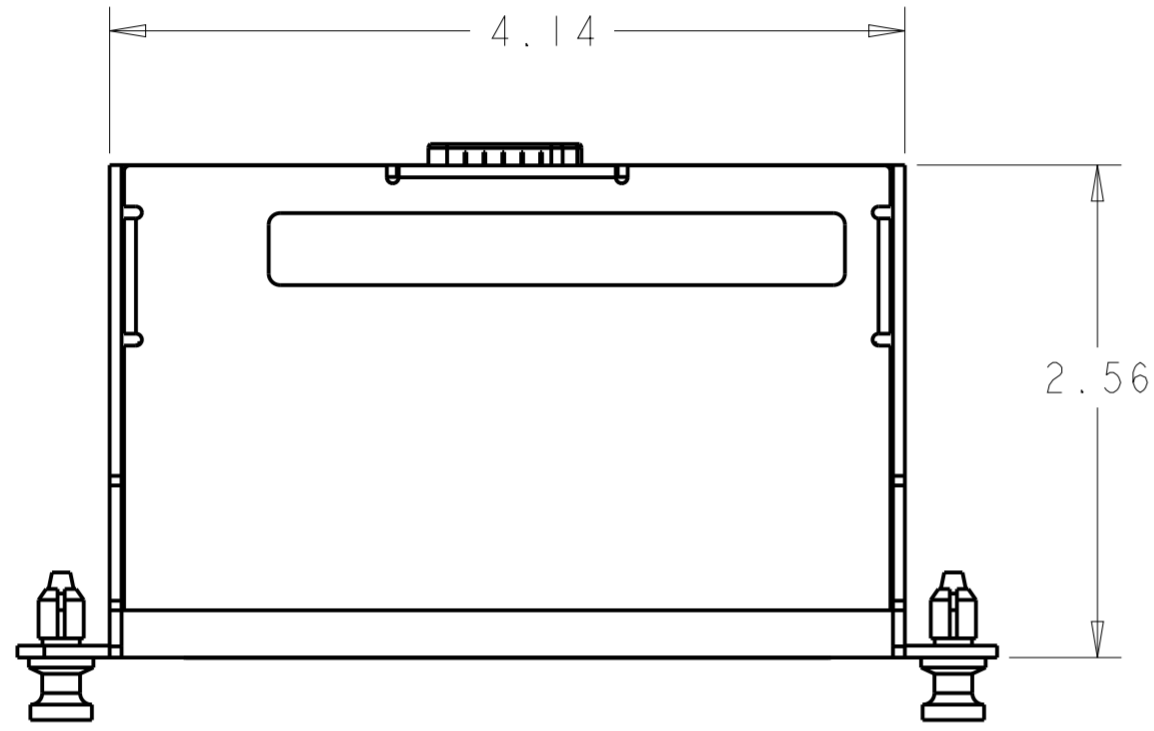
3

2

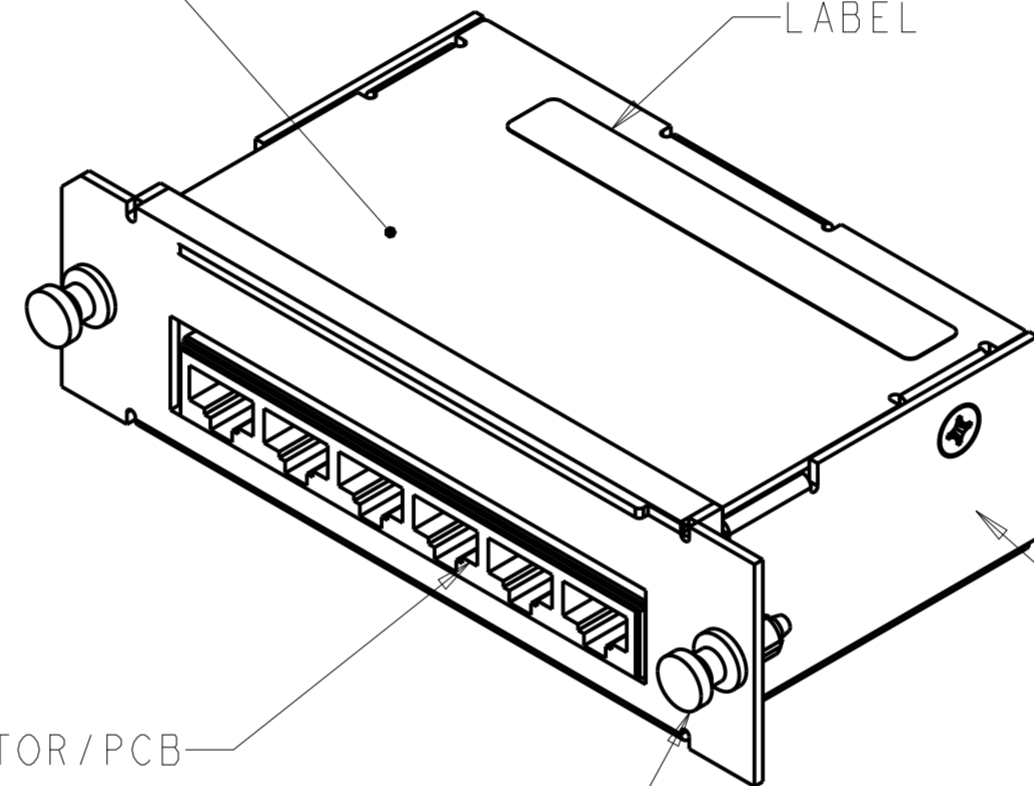
1

THIS DRAWING IS UNPUBLISHED. RELEASED FOR PUBLICATION
 © 2016 COMMSCOPE, INC. CONFIDENTIAL NOTICE: THESE DRAWINGS AND SPECIFICATIONS ARE THE PROPRIETARY PROPERTY OF COMMSCOPE, INC. AND MAY BE USED ONLY FOR THE SPECIFIC PURPOSE AUTHORIZED IN WRITING BY COMMSCOPE, INC.

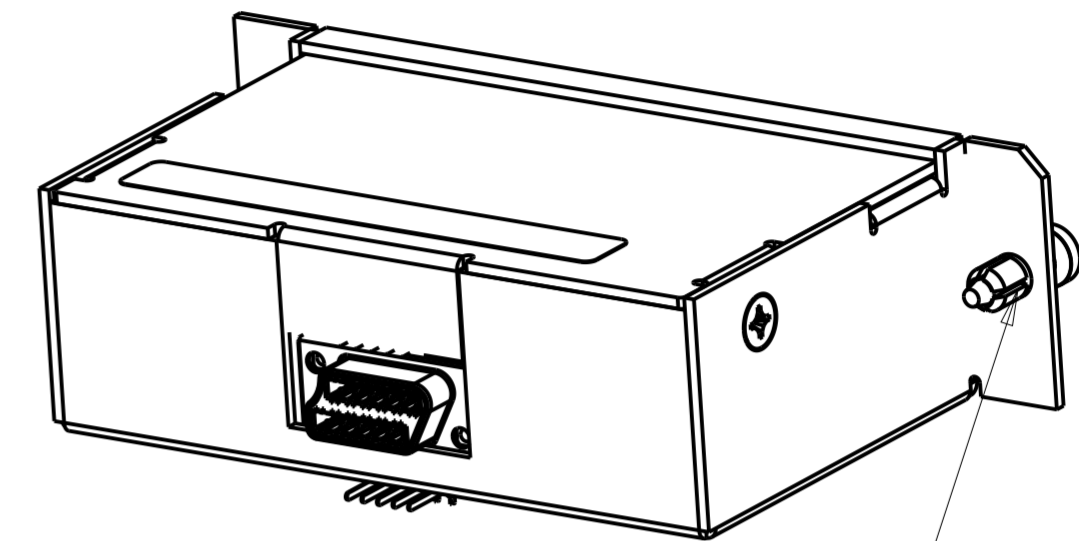
REVISIONS				
P	LTR	DESCRIPTION	DATE	APVD
F		REV PER BNS_CD_BRAND	08FEB2017	GG DC



COVER
 MATERIAL: ALUMINUM
 COLOR: BLACK POWDER COAT

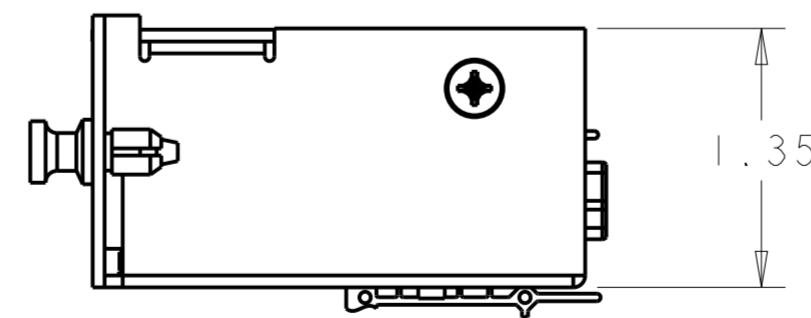


PLUNGER
 MATERIAL: PLASTIC
 COLOR: BLACK
 2 PLC



GROMMET
 MATERIAL: PLASTIC
 COLOR: BLACK
 2 PLC

BASE
 MATERIAL: ALUMINUM
 COLOR: BLACK POWDER COAT



1479459-1
 PART No.

THIS DRAWING IS A CONTROLLED DOCUMENT.		DWN WJ SOURBEER 03FEB2004	COMMSCOPE, INC.	
DIMENSIONS: INCHES		CHK J HOFFER 03FEB2004		
TOLERANCES UNLESS OTHERWISE SPECIFIED:		APVD B BARRY 03FEB2004	NAME CASSETTE ASSEMBLY 1 X 6 MRJ21	
0 PLC ±		PRODUCT SPEC	SIZE A2	
1 PLC ±0.1		APPLICATION SPEC	CAGE CODE C-1479459	
2 PLC ±0.02		WEIGHT	DRAWING NO	
3 PLC ±0.005		CUSTOMER DRAWING	RESTRICTED TO	
4 PLC ±0.0005		SCALE	SHEET OF	
ANGLES ±		REV	F	
FINISH				

X-ON Electronics

Largest Supplier of Electrical and Electronic Components

Click to view similar products for [Patch Panels](#) category:

Click to view products by [TE Connectivity](#) manufacturer:

Other Similar products are found below :

[MMVP96K2N75T](#) [MMVP96K2NNT](#) [MMVP96K2NT](#) [MMVP96K3NNT](#) [QGPK1LCM](#) [QGPK3CAT5E](#) [QGPK3CAT5ES](#) [QGPK3LC](#)
[QGPK3LCM](#) [QGPK3ST](#) [QGPK3STM](#) [DS303](#) [DS311](#) [DS317](#) [JS-16](#) [JSH-24](#) [QGPK1CAT5ES](#) [QGPK1CAT6S](#) [QGPK1LC](#) [QGPK1SC](#)
[QGPK1SCM](#) [QGPK1ST](#) [QGPK1STM](#) [QGPK3CAT6](#) [QGPK3CAT6S](#) [QGPK3SC](#) [TT91202](#) [TT91402](#) [MMVP48K275T](#) [MMVP48K2NNT](#)
[MMVP48K2NT](#) [MMVP96K275T](#) [MMVP96K375T](#) [MMVP96K3N75T](#) [JSIS-72](#) [K576](#) [DS385](#) [Switchcraft TT518](#) [TT95DC](#) [TT91002](#)
[DS368](#) [JS-36A](#) [JSI-8D2SF24](#) [JSIX-64S](#) [JSI-48A](#) [JS-52W](#) [JSI-40S](#) [K6004B](#) [314DI](#) [K6002D](#)