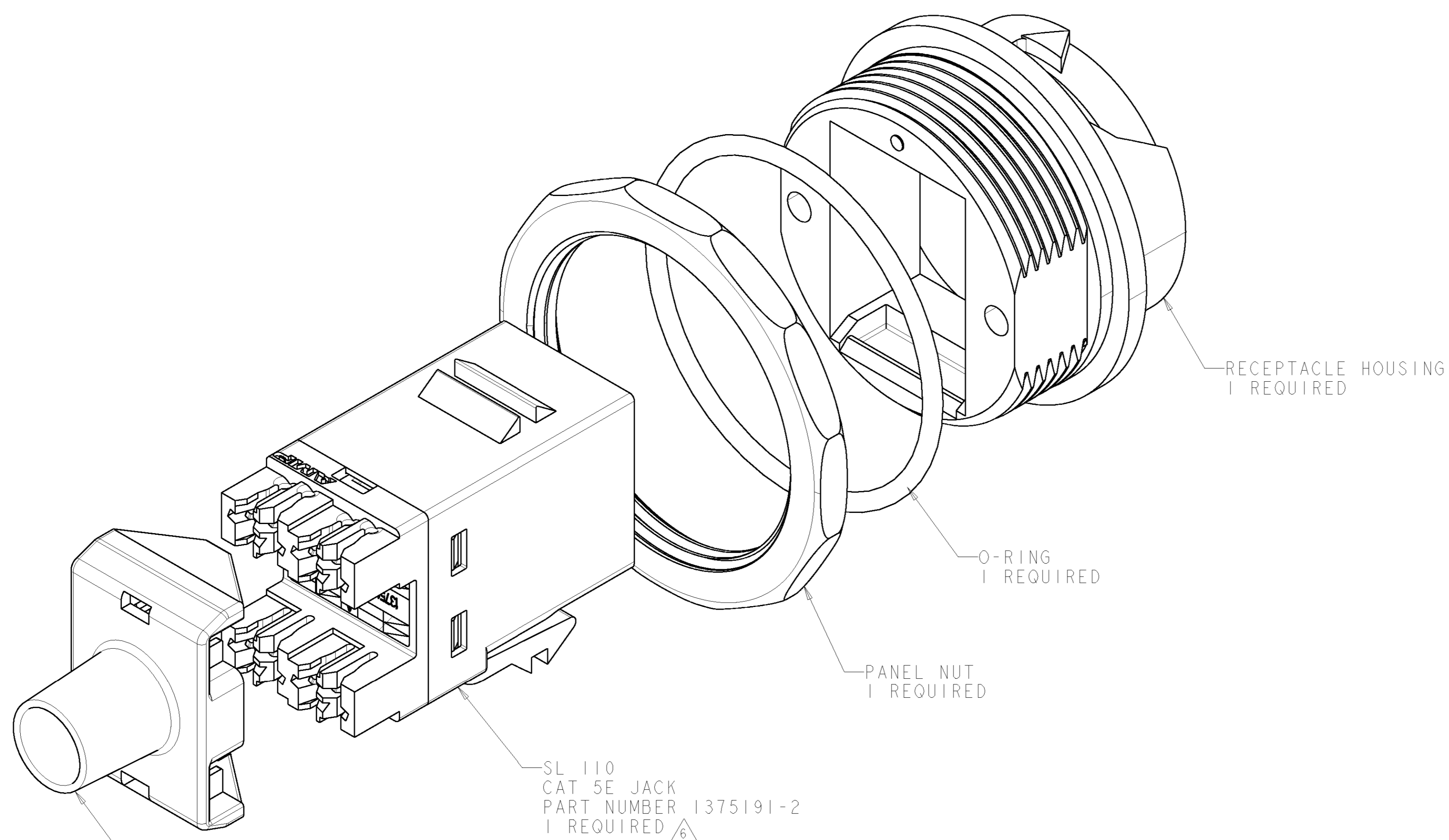
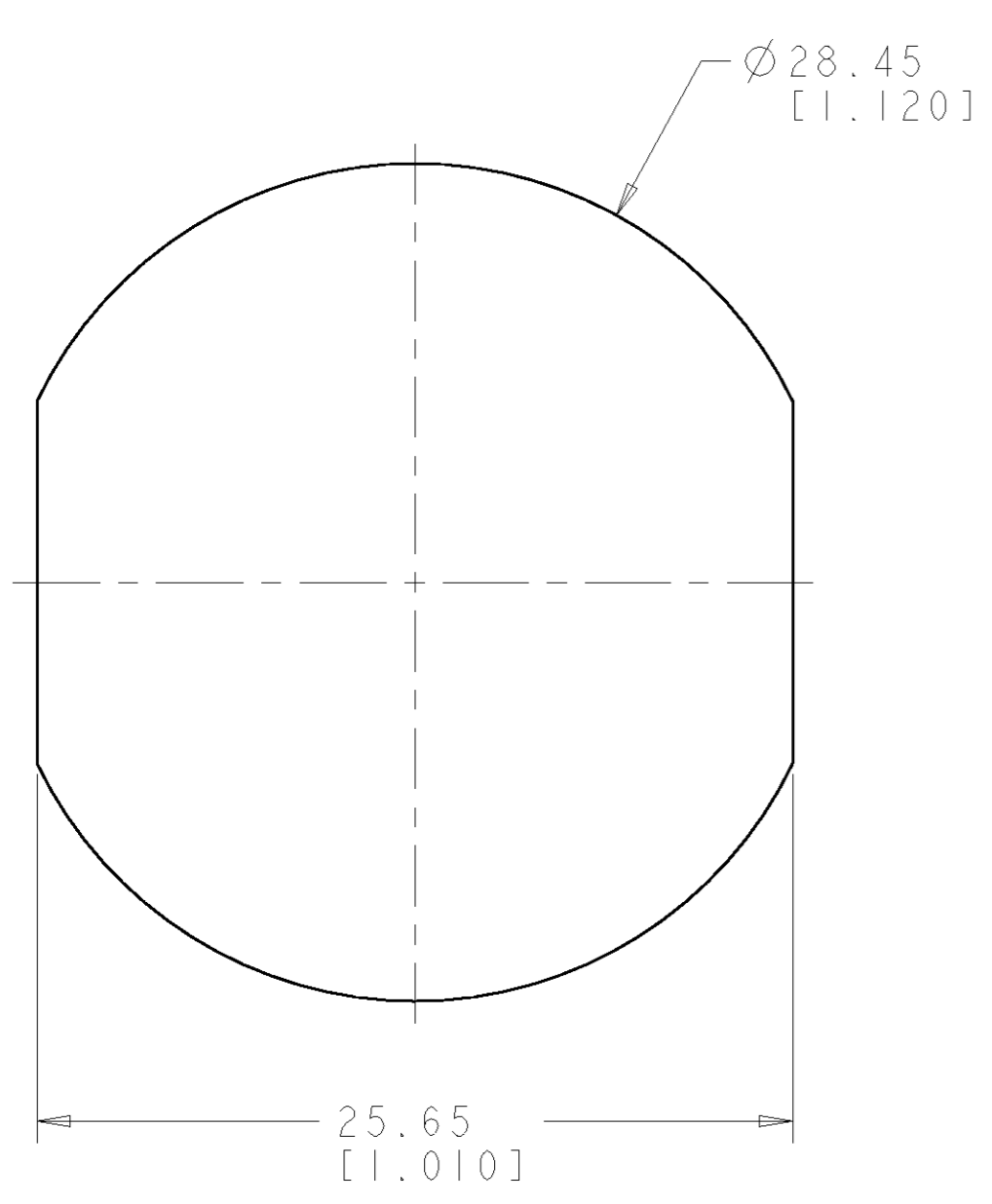


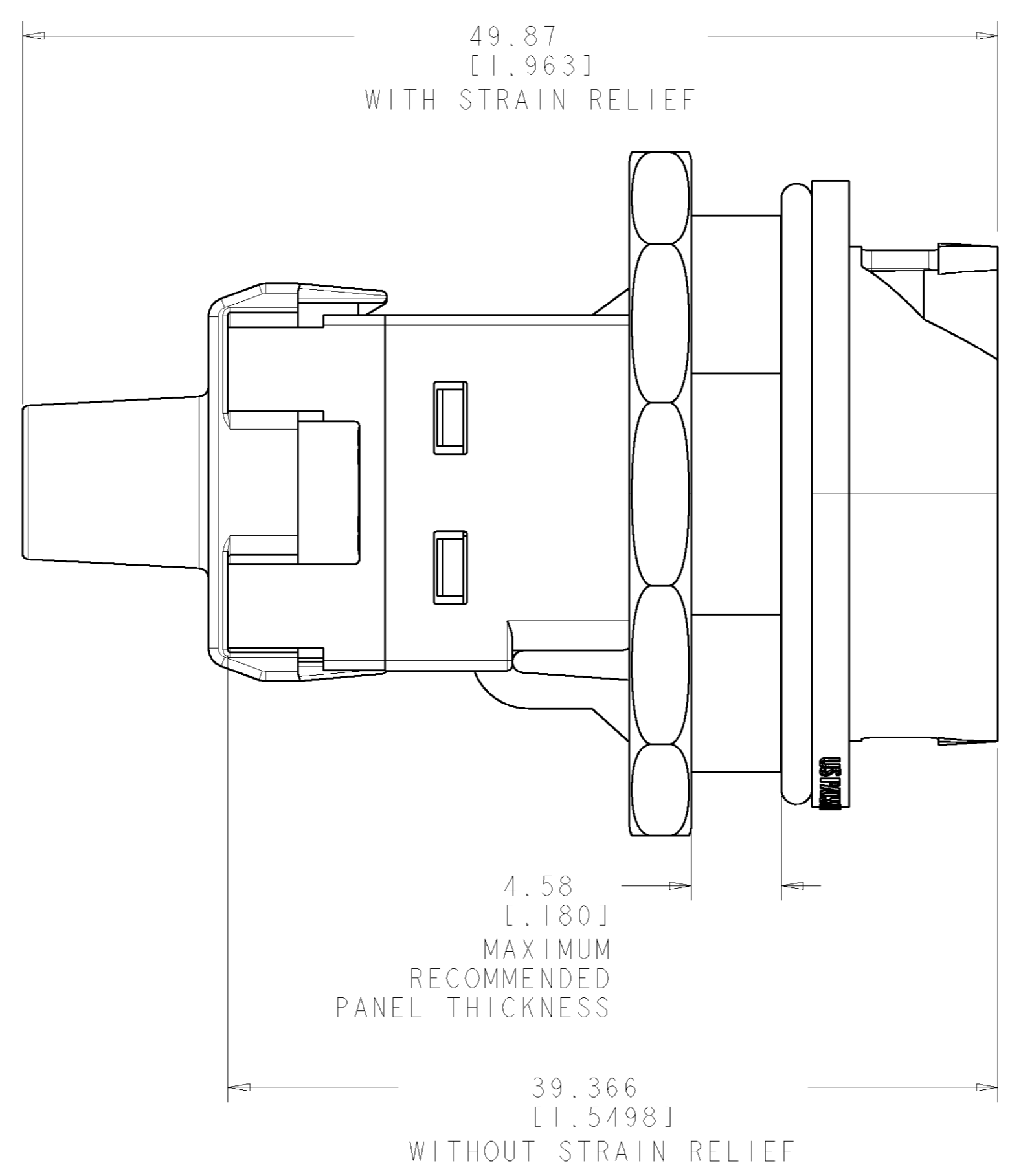
LOC	DIST	REVISIONS					
HM	00	P	LTR	DESCRIPTION	DATE	DWN	APVD
		A		RLSD - NSD03-078	21NOV03	LH	CD
		B		REV: EC 0B40-0023-04	17FEB04	GG	MD
		C		REV: EC 0B40-0092-04	12APR04	GG	MD
		D		REV - ECN 0B40-0132-04	24MAY2004	LS	MD



- 1 MATERIAL: JACK HOUSING - POLYPHENYLENE OXIDE, 94V-0 RATED.
 ARRAY TRAY - PBT POLYESTER.
 110 BLOCK AND STRAIN RELIEF - POLYCARBONATE.
 JACK CONTACTS - BERYLLIUM COPPER, PLATED WITH 1.27µm [0.000050] MINIMUM THICK GOLD IN LOCALIZED AREA AND 3.81µm [0.000150] MINIMUM THICK TIN-LEAD IN SOLDER AREA OVER 1.27µm [0.000050] MINIMUM THICK NICKEL UNDERPLATE.
 IDC TERMINALS - PHOSPHOROUS BRONZE, PLATED WITH 3.81µm [0.00015] MINIMUM THICK BRIGHT TIN-LEAD OVER 1.27µm [0.00005] MINIMUM THICK NICKEL UNDERPLATE.
 RECEPTACLE HOUSING - PBT, 94V-0 RATED.
 O-RING SEALS - BUNA.
 PANEL NUT - NICKEL PLATED BRASS.
- 2. SL 110 JACK WILL TERMINATE 22-24 AWG SOLID CONDUCTORS AND 24 AWG STRANDED CONDUCTORS, 1.14 [0.045] MAXIMUM INSULATION DIAMETER.
- 3 SUGGESTED PANEL CUTOUT OPENING.
- 4 PACKAGED ONE MODULAR JACK, ONE STRAIN RELIEF, ONE O-RING, ONE ETHERSEAL HOUSING, AND ONE PANEL NUT, PER POLYBAG. KIT SHIPPED NOT ASSEMBLED.
- 5 ASSEMBLY SHIPPED WITH STRAIN RELIEF NOT LATCHED AT REAR OF JACK HOUSING ASSEMBLY.
- 6 REFER TO INSTRUCTION SHEET 408-8417 FOR JACK TERMINATION ASSEMBLY INSTRUCTIONS AND 408-8875 FOR ETHERSEAL RECEPTACLE KIT ASSEMBLY INSTRUCTIONS.



RECOMMENDED PANEL CUTOUT
 SCALE 4:1



DIMENSIONS:		TOLERANCES UNLESS OTHERWISE SPECIFIED:		DWN		19NOV03		BLACK		1479563-2	
MM [INCHES]		0 PLC ±		L HALL		21NOV03		COLOR		PART NUMBER	
1 PLC ±		1 PLC ±		C DOOLEY		21NOV03		TYCO		Tyco Electronics	
2 PLC ±		2 PLC ±		C DOOLEY		21NOV03		Electronics		Harrisburg, PA 17105-3608	
3 PLC ±		3 PLC ±		APVD		21NOV03		NAME		KIT, ETHERSEAL, UTP, CAT 5E	
4 PLC ±		4 PLC ±		C DOOLEY		21NOV03		PRODUCT SPEC		SL 110 JACK, FRONT MOUNT, BLACK	
ANGLES		FINISH		APPLICATION SPEC		-		SIZE		CAGE CODE DRAWING NO	
-		-		-		-		A		00779 C=1479563	
MATERIAL		FINISH		WEIGHT		-		CUSTOMER DRAWING		SCALE 4:1 SHEET 1 OF 1 REV D	
-		-		-		-		-		-	

X-ON Electronics

Largest Supplier of Electrical and Electronic Components

Click to view similar products for [Modular Connectors / Ethernet Connectors](#) category:

Click to view products by [TE Connectivity](#) manufacturer:

Other Similar products are found below :

[8949-H88/06BLKA/SN](#) [74441-0010/BKN](#) [MP1010RX-1000](#) [MP44RX-1000](#) [PHJ-4P4C-1-V-4](#) [PHP-6P6C-5](#) [GAX-3-66](#) [GAX-8-62](#) [GDCX-PA-66-50](#) [GDCX-PN-64](#) [GDCX-PN-66](#) [GDCX-PN-66-50](#) [GDLX-A-66](#) [GDLX-N-66](#) [GDLX-S-66](#) [GDLX-S-88K](#) [GDTX-S-88-50](#) [GDX-PA-1010](#) [GLX-N-1010M-BLK](#) [GLX-S-88M-BLK](#) [GMX-N-1010](#) [GMX-S-1010](#) [GMX-S-66](#) [GMX-SMT4-N-88](#) [GPX-2-64](#) [GSGX-N-2-88](#) [GSGX-N-4-88](#) [GSX-NS2-88-3.05](#) [GSX-NS2-88-3.05-50](#) [GSX-NS-88-3.05-50](#) [PT-108A-8C-UL](#) [PT-J951-8C](#) [PTS-J531-8CS-50UL](#) [1-1775629-2](#) [A-2014-0-4](#) [GWLX-S-88-GR](#) [GWLX-S9-88-YG](#) [DC-1021-8-WH-6](#) [1300530003](#) [1324640-4](#) [RJ11FTVC2G](#) [RJ11FTVC2N](#) [RJFTVX2SA1G](#) [132764-001](#) [1413235](#) [MP88X-1000](#) [MPS88RX-5000](#) [E5288-S000K3-L](#) [E5908-15A242-L](#) [155302-001](#)