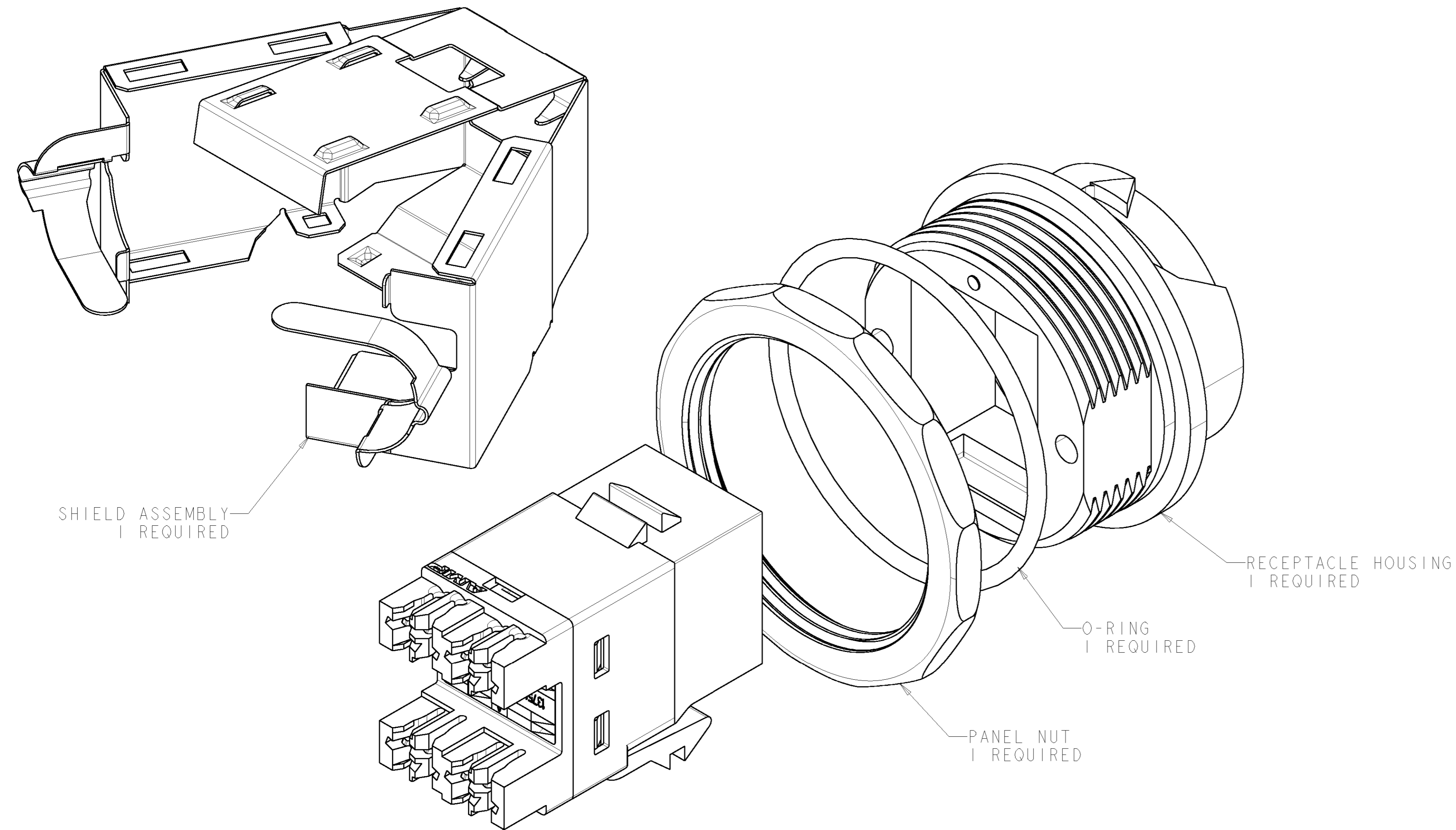
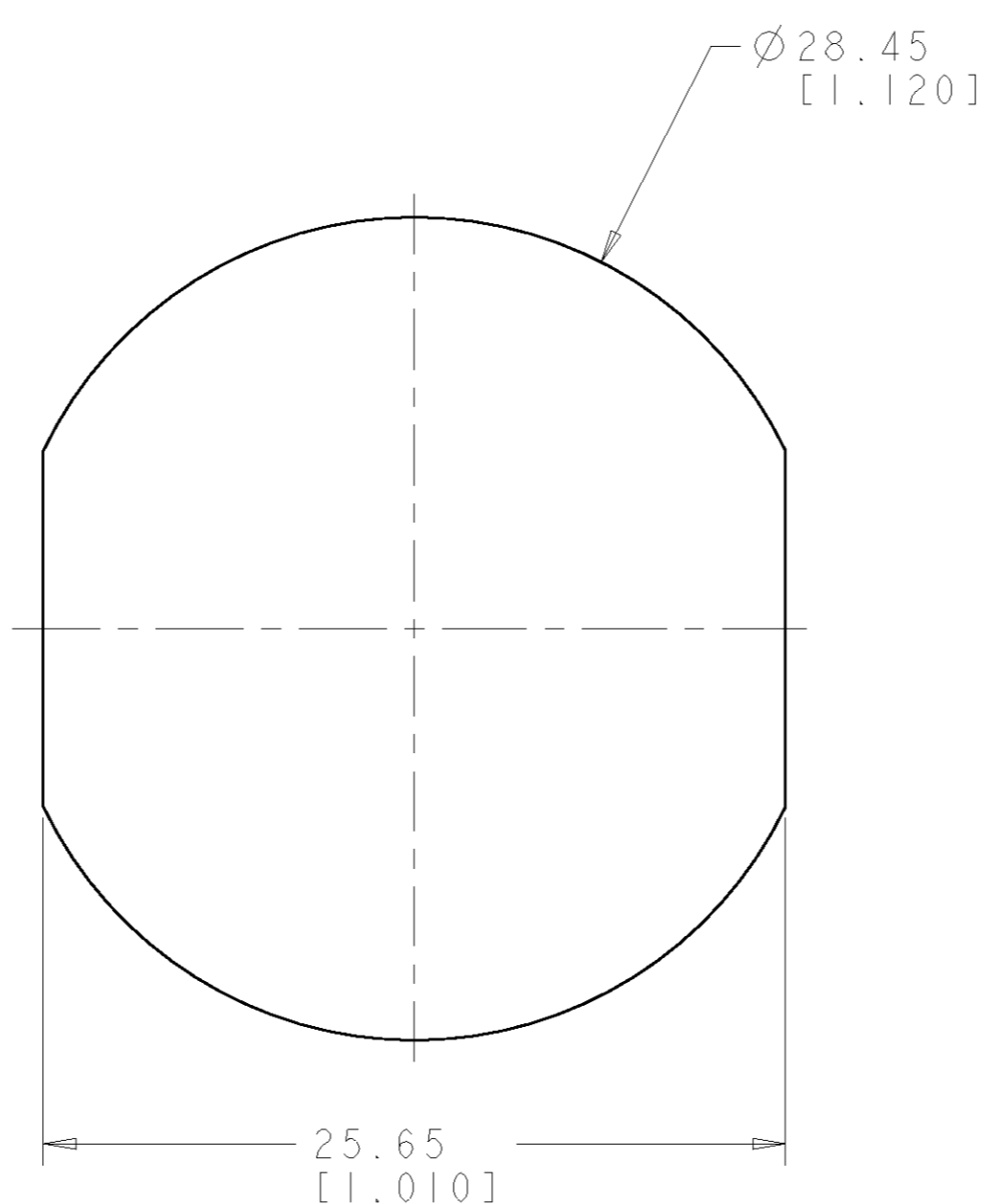


LOC		DIST		REVISIONS			
HM	00	P	LTR	DESCRIPTION	DATE	DWN	APVD
		A		RLSD - NSD04-001	21JAN04	GG	CD



SL 110  
 CAT 6 JACK  
 PART NUMBER 1375188-1  
 1 REQUIRED



RECOMMENDED PANEL CUTOUT  
 SCALE 4:1

- ⚠ MATERIAL: JACK HOUSING - POLYPHENYLENE OXIDE, 94V-0 RATED.  
 ARRAY TRAY - PBT POLYESTER.  
 110 BLOCK - POLYCARBONATE.  
 JACK CONTACTS - BERYLLIUM COPPER, PLATED WITH 1.27µm [.000050] MINIMUM THICK GOLD IN LOCALIZED AREA AND 3.81µm [.000150] MINIMUM THICK TIN-LEAD IN SOLDER AREA OVER 1.27µm [.000050] MINIMUM THICK NICKEL UNDERPLATE.  
 SHIELD - COPPER ZINC ALLOY 260 PREPLATED WITH BRIGHT NICKEL.  
 IDC TERMINALS - PHOSPHOROUS BRONZE, PLATED WITH 3.81µm [.00015] MINIMUM THICK BRIGHT TIN-LEAD OVER 1.27µm [.00005] MINIMUM THICK NICKEL UNDERPLATE.  
 RECEPTACLE HOUSING - PBT, 94V-0 RATED.  
 O-RING SEALS - BUNA.  
 PANEL NUT - NICKEL PLATED BRASS.

- 2. SL 110 JACK WILL TERMINATE 22-24 AWG SOLID CONDUCTORS AND 24 AWG STRANDED CONDUCTORS, 1.14 [.045] MAXIMUM INSULATION DIAMETER.
- ⚠ SUGGESTED PANEL CUTOUT OPENING.
- ⚠ PACKAGED ONE MODULAR JACK, ONE SHIELD, ONE O-RING, ONE ETHERSEAL HOUSING, AND ONE PANEL NUT, PER POLYBAG. KIT SHIPPED NOT ASSEMBLED.
- ⚠ REFER TO INSTRUCTION SHEET 408-8602 FOR JACK TERMINATION ASSEMBLY INSTRUCTIONS AND 408-8875 FOR ETHERSEAL RECEPTACLE KIT ASSEMBLY INSTRUCTIONS.

DIMENSIONS:		TOLERANCES UNLESS OTHERWISE SPECIFIED:		DWN G GARRETT 21JAN04		BLACK		1479566-2	
MM [INCHES]		0 PLC ±		ENR C DOOLEY 21JAN04		COLOR		PART NUMBER	
		1 PLC ±		APVD C DOOLEY 21JAN04				Tyco Electronics	
		2 PLC ±		PRODUCT SPEC				Harrisburg, PA 17105-3608	
		3 PLC ±		APPLICATION SPEC		NAME		KIT, ETHERSEAL, SHIELDED, CAT 6	
		4 PLC ±		WEIGHT		SIZE		SL 110 JACK, FRONT MOUNT, BLACK	
MATERIAL		FINISH		RESTRICTED TO		SCALE		4:1	
				CUSTOMER DRAWING		SHEET		1 OF 1	
				A   00779   C=1479566		REV		A	

## X-ON Electronics

Largest Supplier of Electrical and Electronic Components

*Click to view similar products for [Modular Connectors / Ethernet Connectors](#) category:*

*Click to view products by [TE Connectivity](#) manufacturer:*

Other Similar products are found below :

[8949-H88/06BLKA/SN](#) [74441-0010/BKN](#) [MP1010RX-1000](#) [MP44RX-1000](#) [PHJ-4P4C-1-V-4](#) [PHP-6P6C-5](#) [GAX-3-66](#) [GAX-8-62](#) [GDCX-PA-66-50](#) [GDCX-PN-64](#) [GDCX-PN-66](#) [GDCX-PN-66-50](#) [GDLX-A-66](#) [GDLX-N-66](#) [GDLX-S-66](#) [GDLX-S-88K](#) [GDTX-S-88-50](#) [GDX-PA-1010](#) [GLX-N-1010M-BLK](#) [GLX-S-88M-BLK](#) [GMX-N-1010](#) [GMX-S-1010](#) [GMX-S-66](#) [GMX-SMT4-N-88](#) [GPX-2-64](#) [GSGX-N-2-88](#) [GSGX-N-4-88](#) [GSX-NS2-88-3.05](#) [GSX-NS2-88-3.05-50](#) [GSX-NS-88-3.05-50](#) [PT-108A-8C-UL](#) [PT-J951-8C](#) [PTS-J531-8CS-50UL](#) [1-1775629-2](#) [A-2014-0-4](#) [GWLX-S-88-GR](#) [GWLX-S9-88-YG](#) [DC-1021-8-WH-6](#) [1300530003](#) [1324640-4](#) [RJ11FTVC2G](#) [RJ11FTVC2N](#) [RJFTVX2SA1G](#) [132764-001](#) [1413235](#) [MP88X-1000](#) [MPS88RX-5000](#) [E5288-S000K3-L](#) [E5908-15A242-L](#) [155302-001](#)