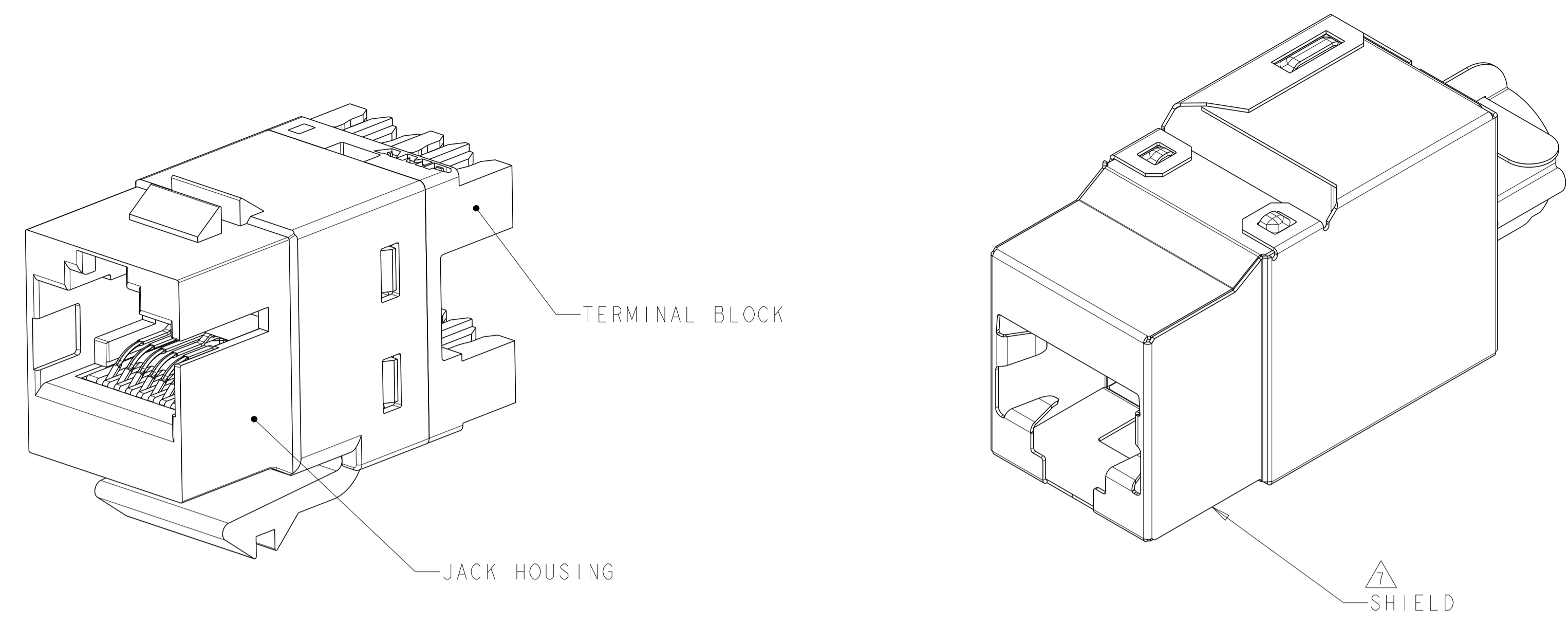
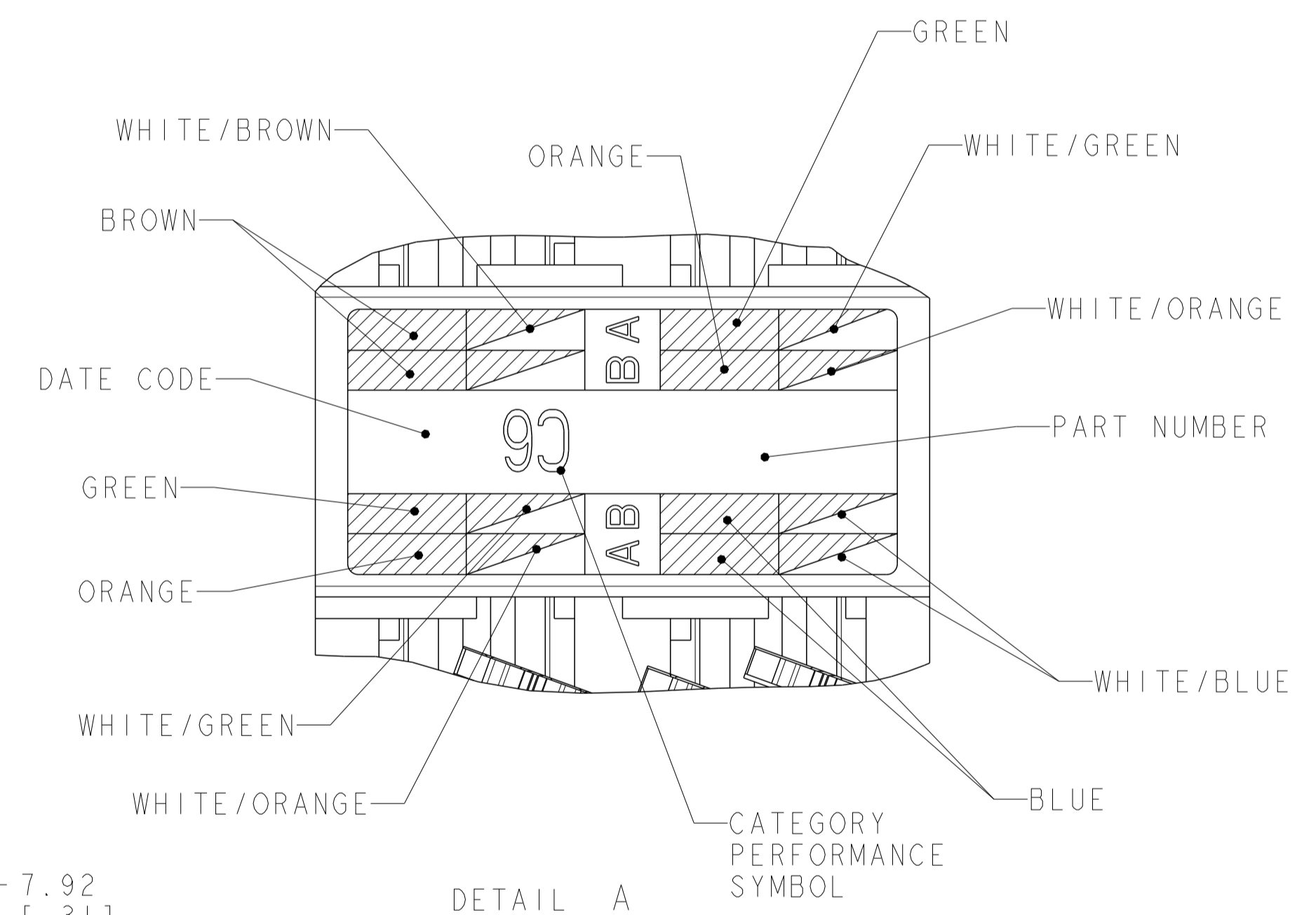
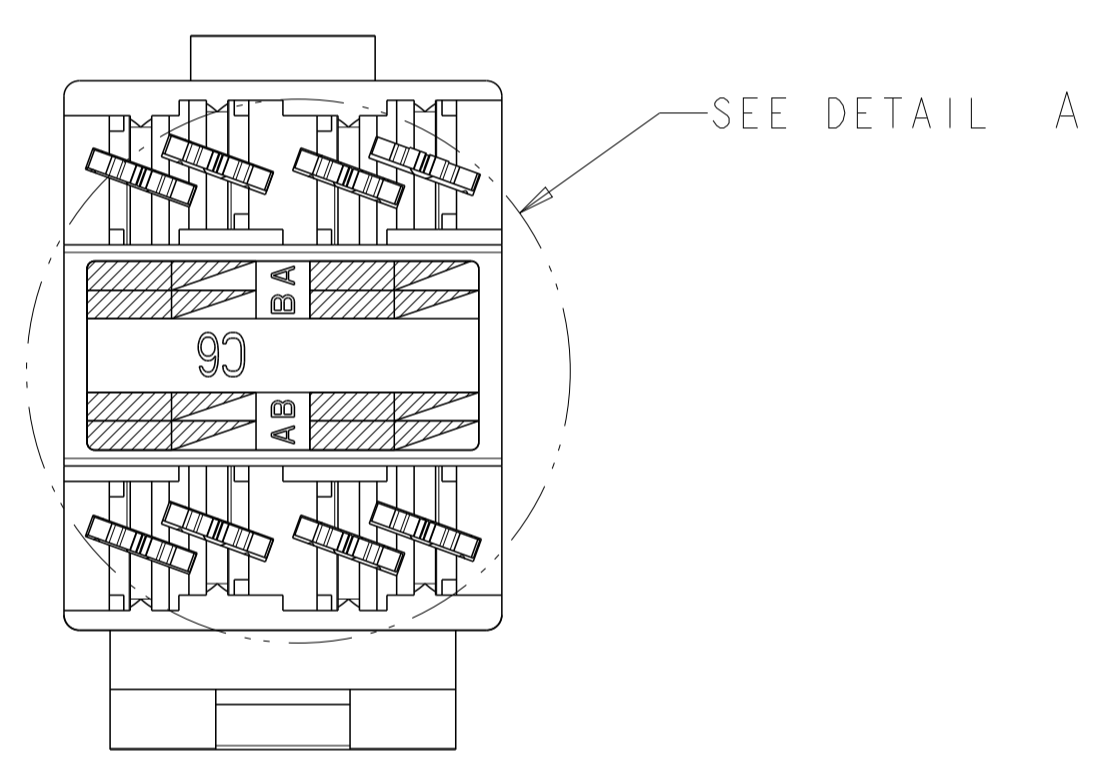
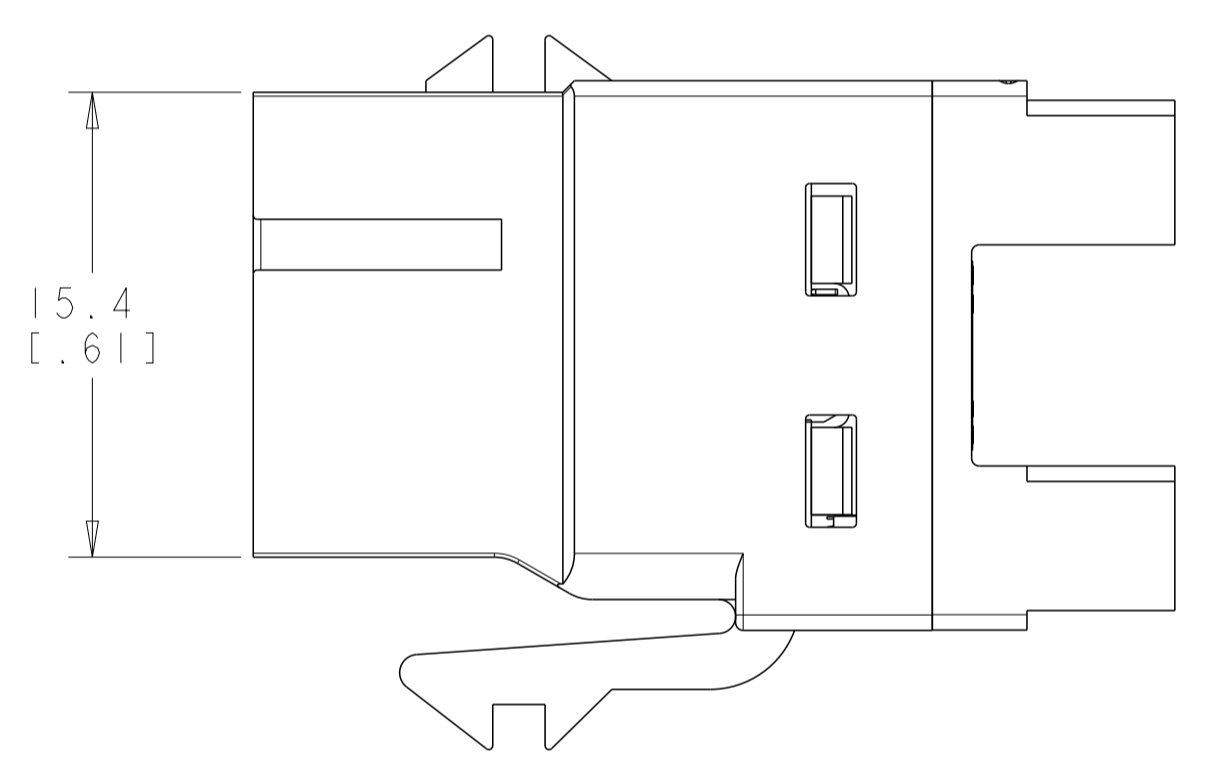
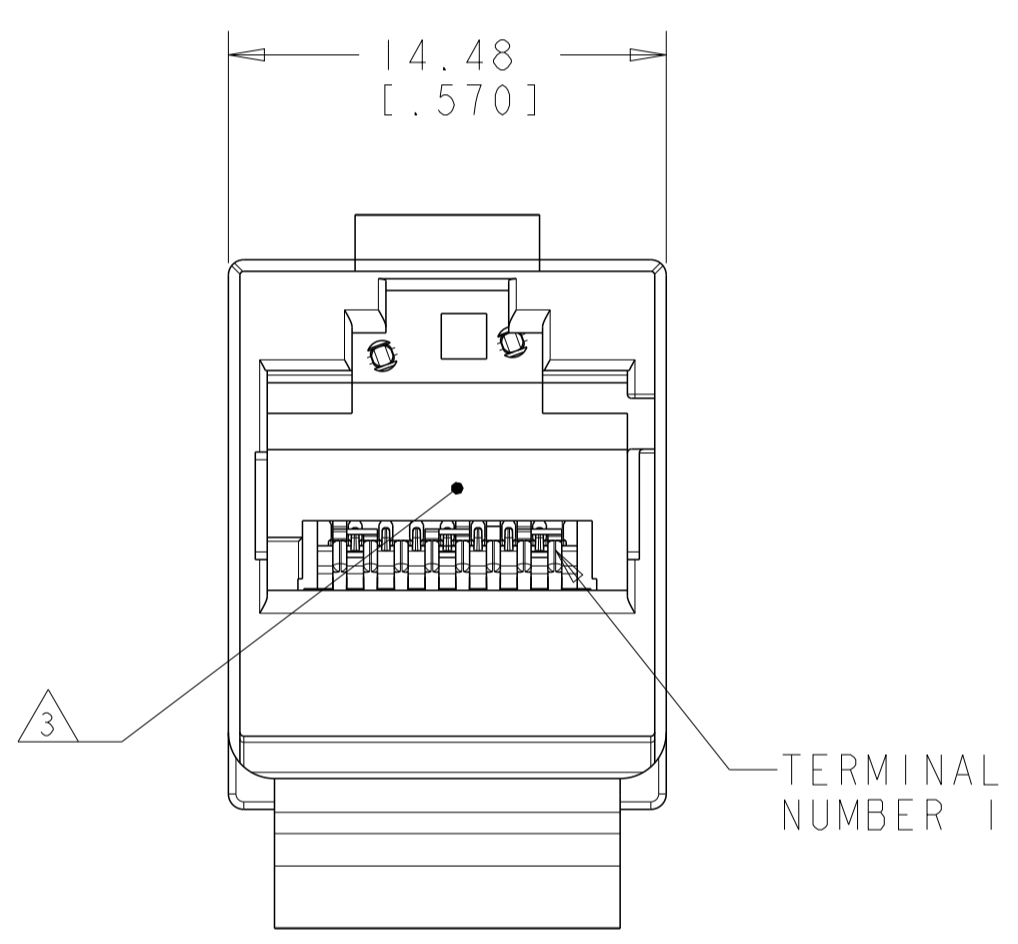


LOC	DIST	REVISIONS					
		P	LTN	DESCRIPTION	DATE	DWN	APVD
HM	00	J1		REV: 40026223MCO	04NOV2015	GG	SJ



- 1 MATERIAL: JACK HOUSING - POLYCARBONATE, 94V-0 RATED.  
 110 BLOCK - POLYCARBONATE.  
 ARRAY TRAY - PBT POLYESTER.  
 JACK CONTACTS ARRAY - BERYLLIUM COPPER, PLATED WITH  
 1.27µm [ .000050] MINIMUM THICK GOLD IN LOCALIZED  
 AREA AND 3.81µm [ .000150] MINIMUM THICK MATTE TIN IN  
 BOARD INTERFACE AREA OVER 1.27µm [ .000050] MINIMUM THICK  
 NICKEL UNDERPLATE.  
 IDC TERMINALS - PHOSPHOROUS BRONZE, PLATED WITH  
 3.81µm [ .00015] MINIMUM THICK MATTE TIN OVER  
 1.27µm [ .00005] MINIMUM THICK NICKEL UNDERPLATE.
- 2. SL 110 JACK WILL TERMINATE 22-24 AWG SOLID AND 24-26 AWG  
 STRANDED CONDUCTORS, 1.27[.050] MAXIMUM INSULATION DIAMETER.
- 3 CAVITY CONFORMS TO FCC RULES AND REGULATIONS  
 PART 68 SUBPART F REQUIREMENTS.
- 4. MOUNTING PANEL THICKNESS 1.47 - 1.60 [ .058 - .063].
- 5 THESE TWO SUGGESTED CUTOUT OPENINGS ARE USED  
 IN TANDEM WITH DUAL FRONT AND BACK CUTOUTS.
- 6 ONE MODULAR JACK ASSEMBLY AND ONE SHIELD PER POLYBAG.
- 7 SHIELD SHIPPED NOT ASSEMBLED.
- 8 JACKS MATE WITH SECURE RJ45 PLUGS ONLY.  
 KEY COMBINATIONS 1 THROUGH 4, SHOWN ON SHEET 2.  
 COMPONENTS REMOVED FROM RESPECTIVE VIEWS FOR CLARITY.
- 9. REFER TO 408-8858 FOR TERMINATION INSTRUCTIONS USING SL  
 SERIES TOOL TERMINATION. REFER TO 408-8417 FOR TERMINATION  
 INSTRUCTIONS USING 110 PUNCH DOWN TOOL.



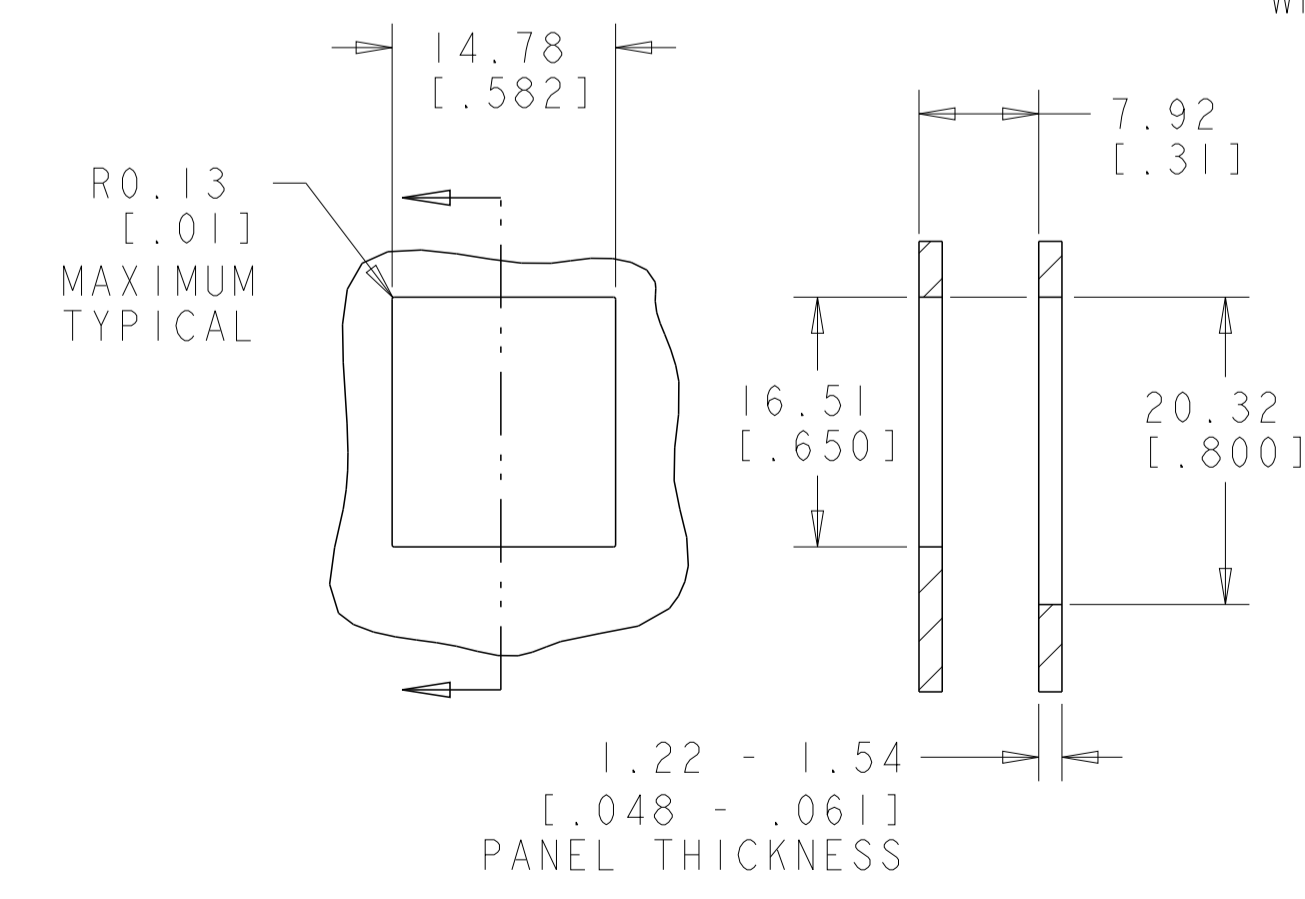
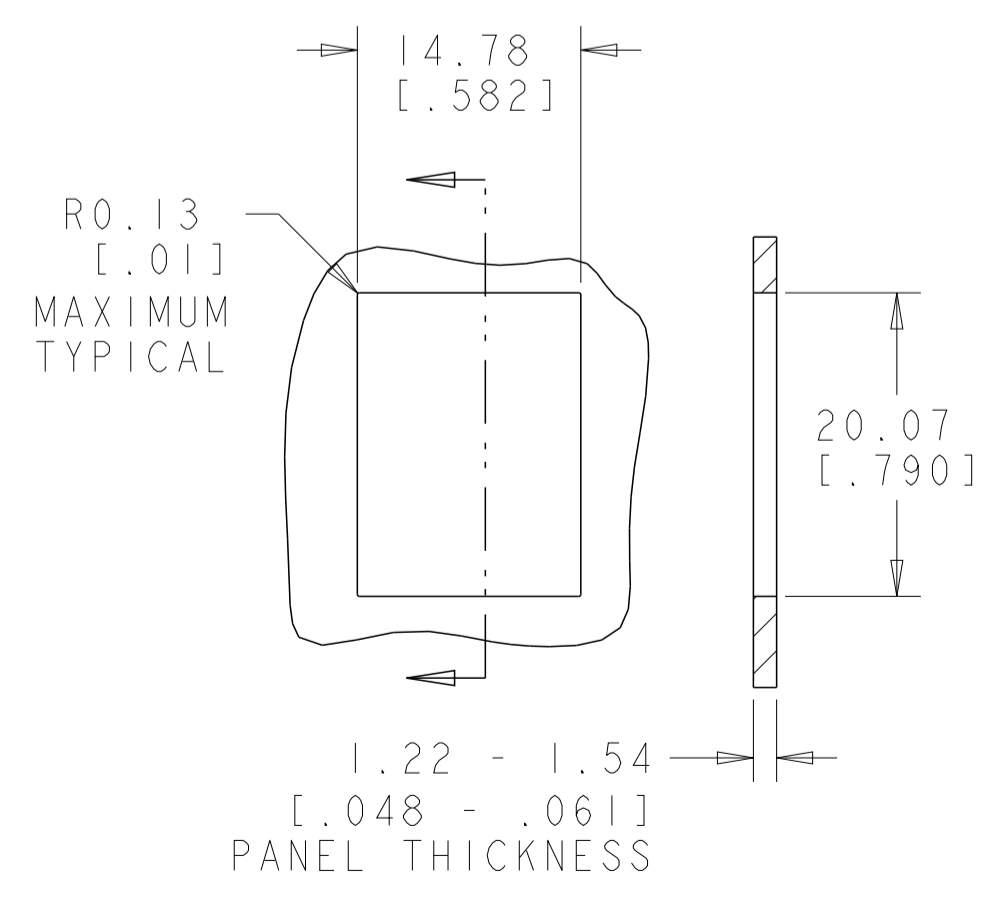
1479795-1 KEY 1 SHOWN

COLOR CODE	IDC TERMINAL	MODULAR JACK	
WHITE/BLUE	5	5	
BLUE	4	4	
WHITE/ORANGE	3	3	
ORANGE	6	6	
WHITE/GREEN	1	1	
GREEN	2	2	
WHITE/BROWN	7	7	
BROWN	8	8	

ELECTRICAL SCHEMATIC T568A

COLOR CODE	IDC TERMINAL	MODULAR JACK	
WHITE/BLUE	5	5	
BLUE	4	4	
WHITE/ORANGE	1	1	
ORANGE	2	2	
WHITE/GREEN	3	3	
GREEN	6	6	
WHITE/BROWN	7	7	
BROWN	8	8	

ELECTRICAL SCHEMATIC T568B



DETAIL A  
SCALE 8:1

PACKAGE	KEY	COLOR	PART NUMBER
6	4	BLUE	1479795-4
	3	GREEN	1479795-3
	2	YELLOW	1479795-2
	1	RED	1479795-1

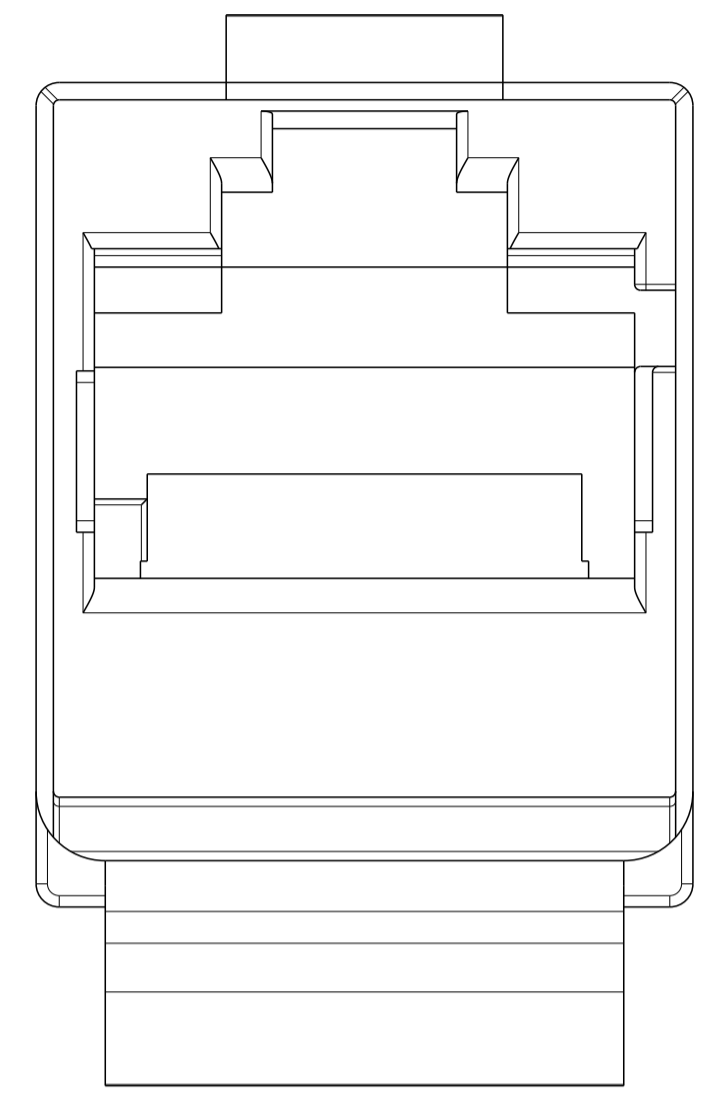
THIS DRAWING IS A CONTROLLED DOCUMENT.

DIMENSIONS: MM [inches]	TOLERANCES UNLESS OTHERWISE SPECIFIED:	DWN G. GARRETT 13JUL2005	CHK C. DOOLEY 13JUL2005	APVD C. DOOLEY 13JUL2005	NAME ASSEMBLY, SL 110 JACK, SHIELDED, CAT 6, SECURE RJ45, REAR ENTRY
0 PLC ±	1 PLC ±	2 PLC ±	3 PLC ±	4 PLC ±	ANGLES ±
MATERIAL	FINISH	WEIGHT	DRAWING NO. A100779	C=1479795	RESTRICTED TO
Customer Drawing		SCALE 2:1	SHEET 1 OF 2	REV J1	

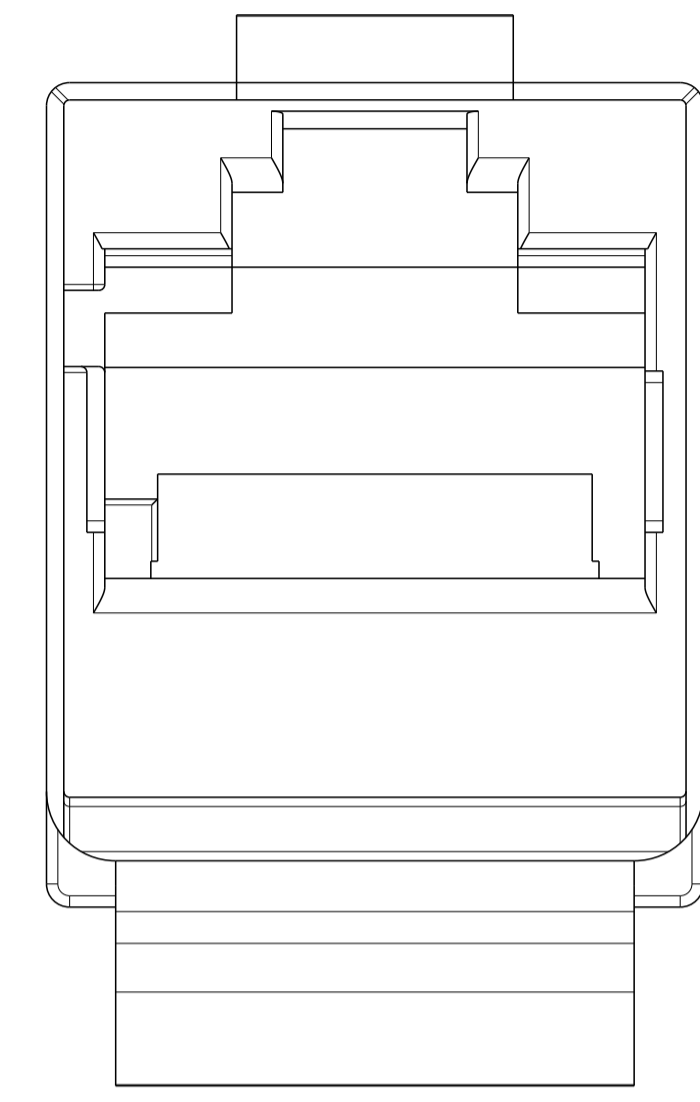
4805 (3/11)

THIS DRAWING IS UNPUBLISHED. RELEASED FOR PUBLICATION 20  
 © COPYRIGHT 20 BY - ALL RIGHTS RESERVED.

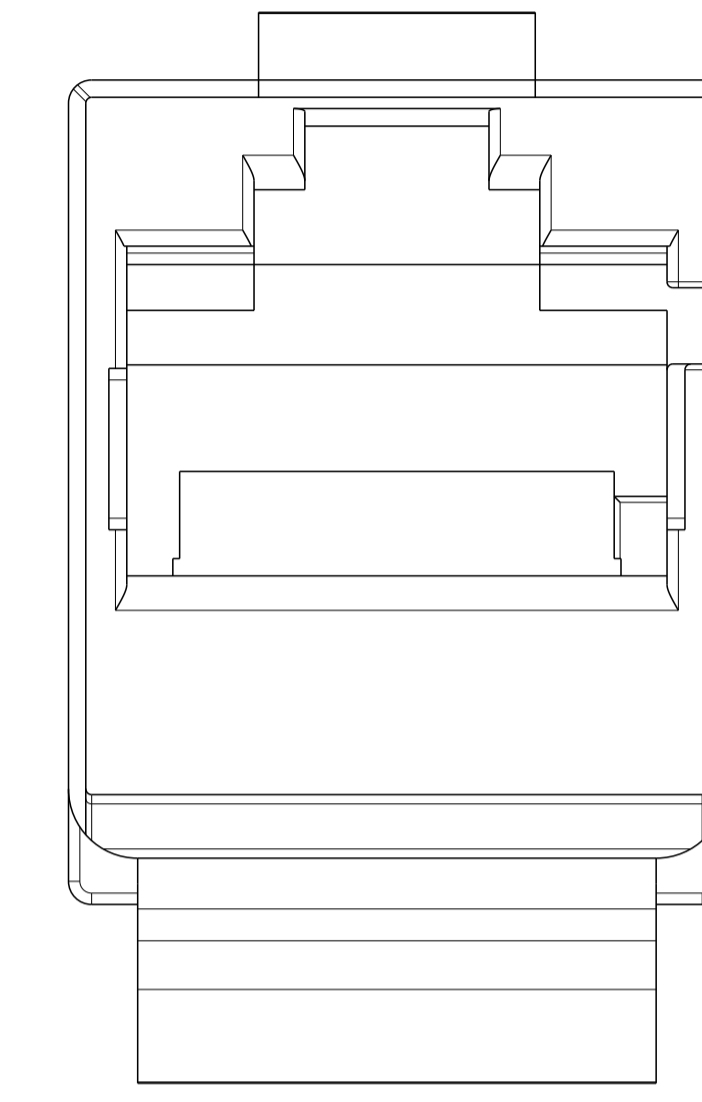
LOC		DIST		REVISIONS			
		P	LTN	DESCRIPTION	DATE	DWN	APVD
HM	00	-	-	SEE SHEET 1	-	-	-



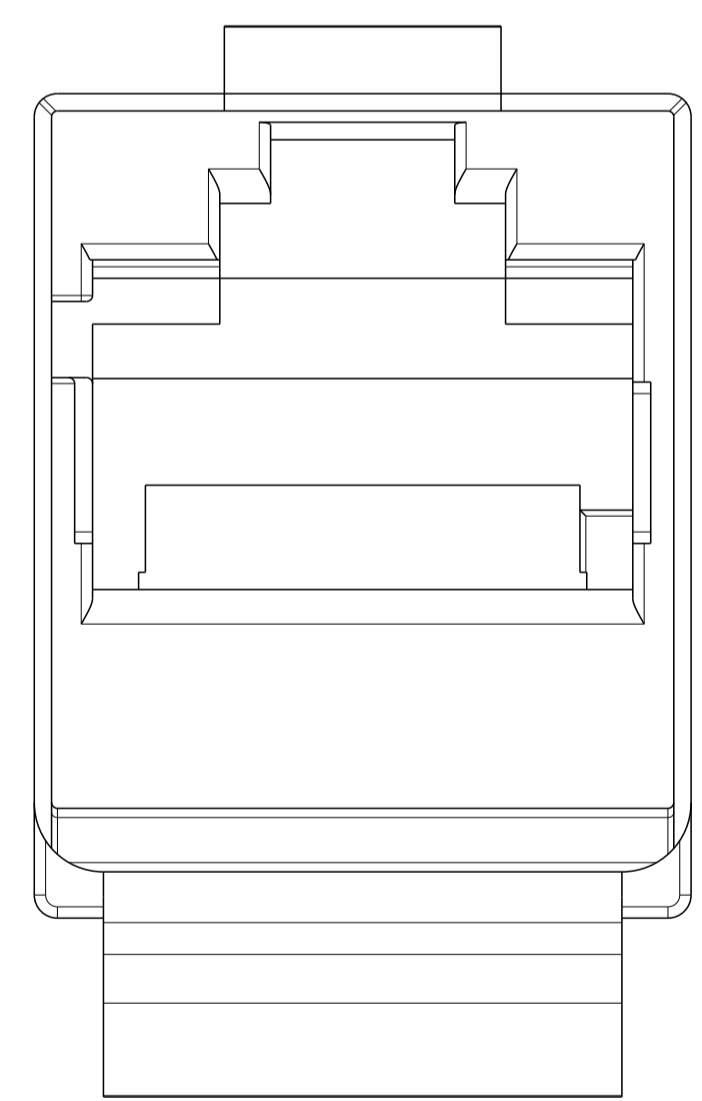
1479795-1 ⚠  
KEY 1, RED



1479795-2 ⚠  
KEY 2, YELLOW



1479795-3 ⚠  
KEY 3, GREEN



1479795-4 ⚠  
KEY 4, BLUE

THIS DRAWING IS A CONTROLLED DOCUMENT.		DWN G. GARRETT 13JUL2005	
DIMENSIONS: MM[inches]		CHK C. DOOLEY 13JUL2005	
TOLERANCES UNLESS OTHERWISE SPECIFIED:		APVD C. DOOLEY 13JUL2005	NAME ASSEMBLY, SL 110 JACK, SHIELDED, CAT 6, SECURE RJ45, REAR ENTRY
0 PLC ±	1 PLC ±	PRODUCT SPEC	SIZE A100779
2 PLC ±	3 PLC ±	APPLICATION SPEC	CAGE CODE C=1479795
4 PLC ±	ANGLES ±	RESTRICTED TO	REVISIONS
FINISH ±	WEIGHT	SCALE 2:1	SHEET 2 OF 2
MATERIAL	Customer Drawing	REV J1	

## X-ON Electronics

Largest Supplier of Electrical and Electronic Components

*Click to view similar products for [Modular Connectors / Ethernet Connectors](#) category:*

*Click to view products by [TE Connectivity](#) manufacturer:*

Other Similar products are found below :

[8949-H88/06BLKA/SN](#) [74441-0010/BKN](#) [MP1010RX-1000](#) [MP44RX-1000](#) [PHJ-4P4C-1-V-4](#) [PHP-6P6C-5](#) [GAX-3-66](#) [GAX-8-62](#) [GDCX-PA-66-50](#) [GDCX-PN-64](#) [GDCX-PN-66](#) [GDCX-PN-66-50](#) [GDLX-A-66](#) [GDLX-N-66](#) [GDLX-S-66](#) [GDLX-S-88K](#) [GDTX-S-88-50](#) [GDX-PA-1010](#) [GLX-N-1010M-BLK](#) [GLX-S-88M-BLK](#) [GMX-N-1010](#) [GMX-S-1010](#) [GMX-S-66](#) [GMX-SMT4-N-88](#) [GPX-2-64](#) [GSGX-N-2-88](#) [GSGX-N-4-88](#) [GSX-NS2-88-3.05](#) [GSX-NS2-88-3.05-50](#) [GSX-NS-88-3.05-50](#) [PT-108A-8C-UL](#) [PT-J951-8C](#) [PTS-J531-8CS-50UL](#) [1-1775629-2](#) [A-2014-0-4](#) [GWLX-S-88-GR](#) [GWLX-S9-88-YG](#) [DC-1021-8-WH-6](#) [1300530003](#) [1324640-4](#) [RJ11FTVC2G](#) [RJ11FTVC2N](#) [RJFTVX2SA1G](#) [132764-001](#) [1413235](#) [MP88X-1000](#) [MPS88RX-5000](#) [E5288-S000K3-L](#) [E5908-15A242-L](#) [155302-001](#)