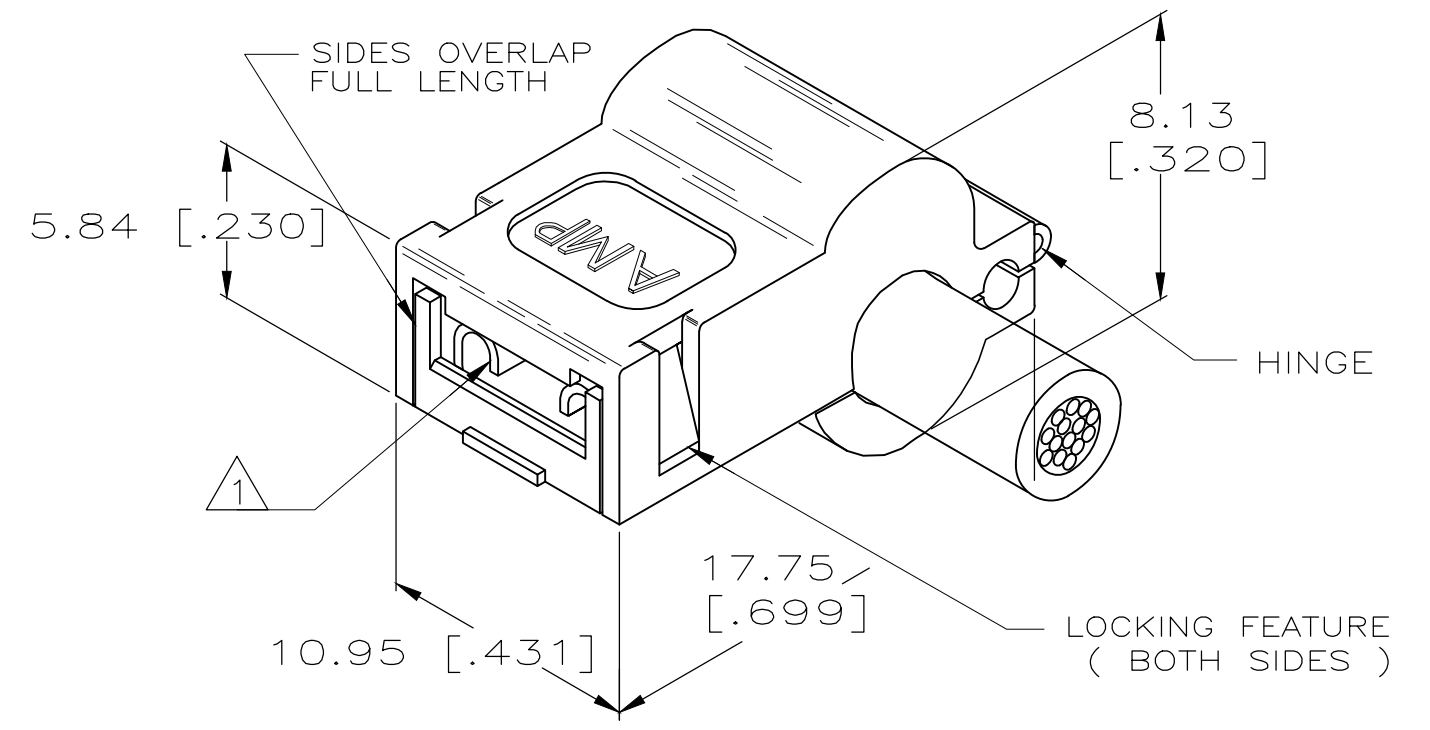
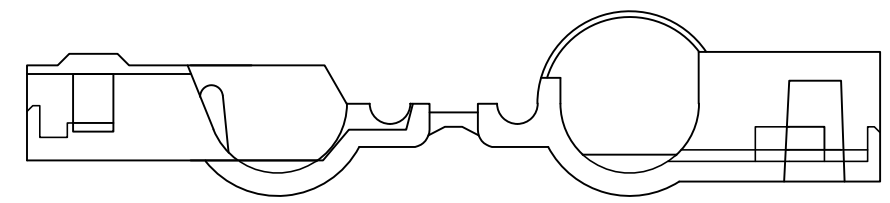
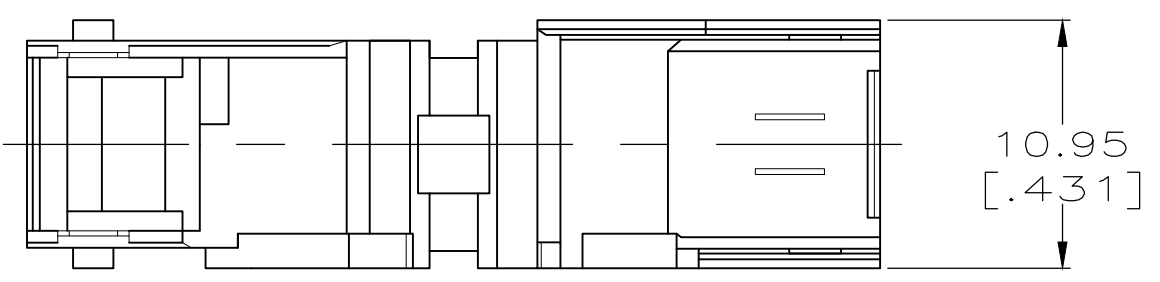
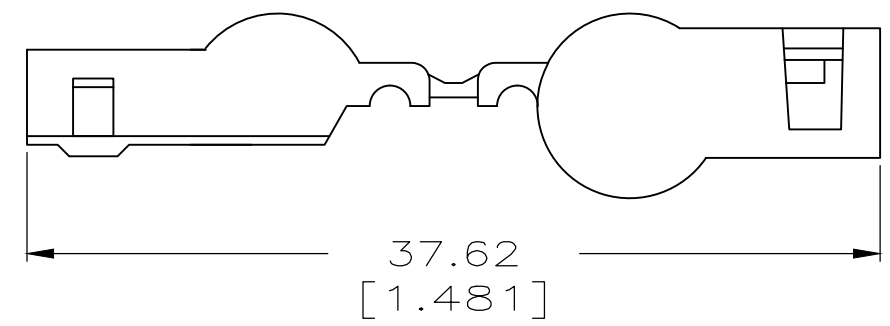


THIS DRAWING IS UNPUBLISHED. RELEASED FOR PUBLICATION  
 © COPYRIGHT - TE Connectivity Ltd. ALL RIGHTS RESERVED.

REVISIONS				
P	LTR	DESCRIPTION	DATE	APVD
G5		REVISED PER ECR-19-017226	28JAN2020	BDA DS



NOTES:

- 1 4.75 [.187] SERIES TAB-LOK FLAG FASTON RECEPTACLE. TERMINAL NUMBERS 42486, 42618, 42800, AND 60820.
- 2 SEE CP-29349 FOR RECOMMENDED TAB DETAILS.
- 3 CONTINUOUS STRIP ON REELS.
- 4 LOOSE PIECE ( ONE POD).
- 5 GLOW WIRE APPROVED, CONTACT TYCO ELECTRONICS FOR ENGN SPECIFICATIONS, ALL WALL THICKNESSES ARE BETWEEN 0.4mm AND 3.0mm.
- 6 SUPERSEDED BY 480487-4

TYPE	MATERIAL	PART NO.
4 LOOSE PIECE	66 NYLON VOGWT 130C	480487-4
6 4 LOOSE PIECE	5	1-480487-4
OBSOLETE 4 LOOSE PIECE	6/6 NYLON, VO	1-480487-3
6 4 LOOSE PIECE	6/6 NYLON	1-480487-2
OBSOLETE 3 STRIP	6/6 NYLON	1-480487-0

THIS DRAWING IS A CONTROLLED DOCUMENT.		DWN JR RUTH 6/27/97	<b>STE</b> TE Connectivity	
DIMENSIONS: mm [INCHES]		CHK MS FEHER 6/27/97		
TOLERANCES UNLESS OTHERWISE SPECIFIED:		APVD R BEAVER 6/27/97	NAME	
0 PLC ± -		PRODUCT SPEC	HOUSING, AMPIP, FASTON, TAB-LOK, 4.75 [.187] SERIES	
1 PLC ± -		APPLICATION SPEC	-	
2 PLC ± 0.38 [.015]		WEIGHT -	SIZE A3	CAGE CODE 00779
3 PLC ± -		CUSTOMER DRAWING	DRAWING NO	RESTRICTED TO
4 PLC ± -			G-480487	-
ANGLES ± -		SCALE 3:1	SHEET 1 OF 1	REV G5
FINISH NATURAL				
MATERIAL SEE TABLE				

## X-ON Electronics

Largest Supplier of Electrical and Electronic Components

*Click to view similar products for [Headers & Wire Housings](#) category:*

*Click to view products by [TE Connectivity](#) manufacturer:*

Other Similar products are found below :

[892-18-020-10-001101](#) [58102-G61-06LF](#) [582553-1](#) [0009485154](#) [009176003701906](#) [0050291907](#) [LY20-4P-DT1-P1E-BR](#) [02.125.8002.8](#)  
[609-3404](#) [61062-3](#) [61082-181009](#) [622-3653LF](#) [63453-116](#) [636-1030](#) [636-1427](#) [636-3427](#) [636-4007](#) [641938-9](#) [641991-4](#) [644827-2](#) [65817-](#)  
[010LF](#) [65817-015LF](#) [65863-015LF](#) [66207-023LF](#) [67095-007LF](#) [67601157](#) [68645-018](#) [68648-049](#) [70.362.1628.0](#) [70-4210](#) [70-4226B](#) [70-](#)  
[4853B](#) [707-5020](#) [707-5028](#) [71.350.2428.0](#) [71918-208LF](#) [71961-016LF](#) [733-134](#) [733-162](#) [754199-000](#) [760-3052](#) [787-8014-00](#) [79531-3000](#)  
[FCN-360C032-B](#) [FCN-367T-T012/H](#) [FCN-723D010/2](#) [80.063.4001.1](#) [800-90-001-10-001000](#) [800-90-010-10-002000](#) [801-43-002-10-013000](#)