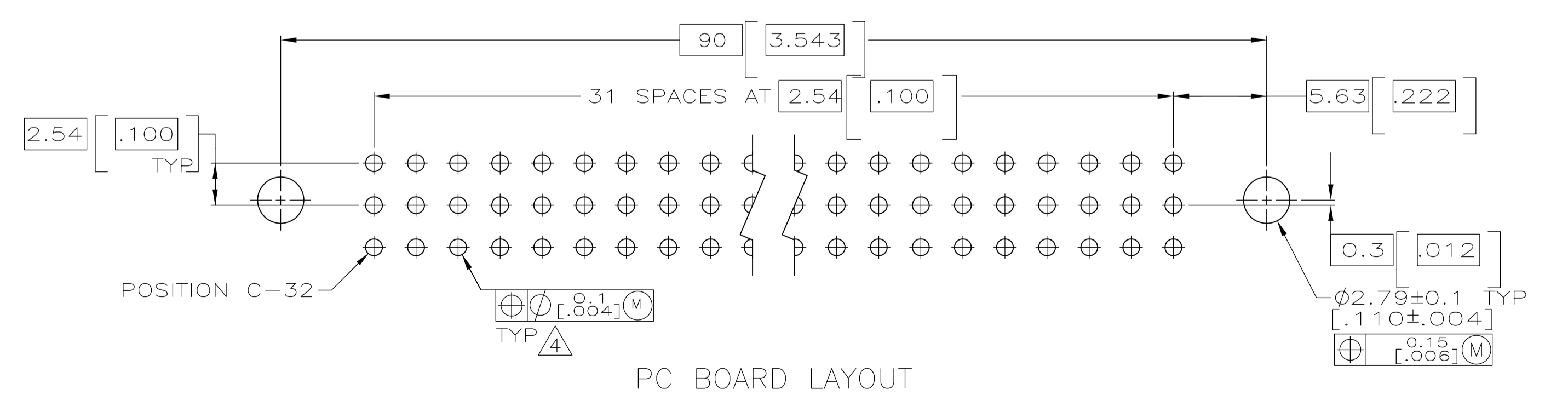
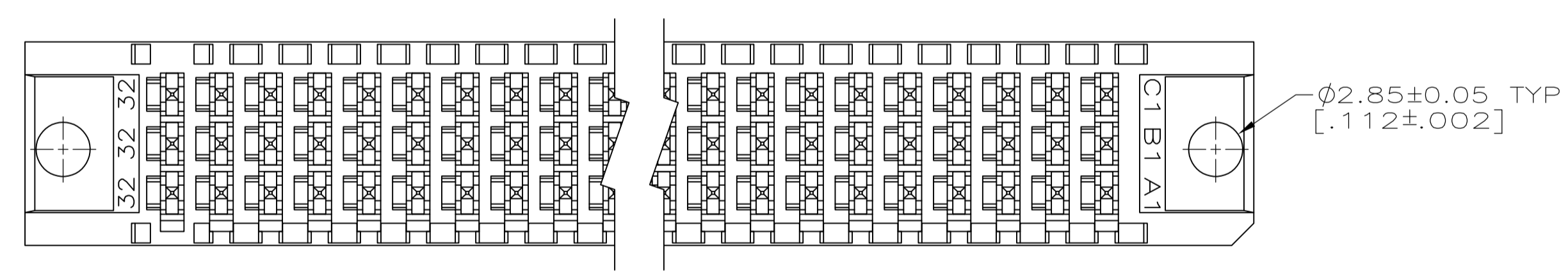
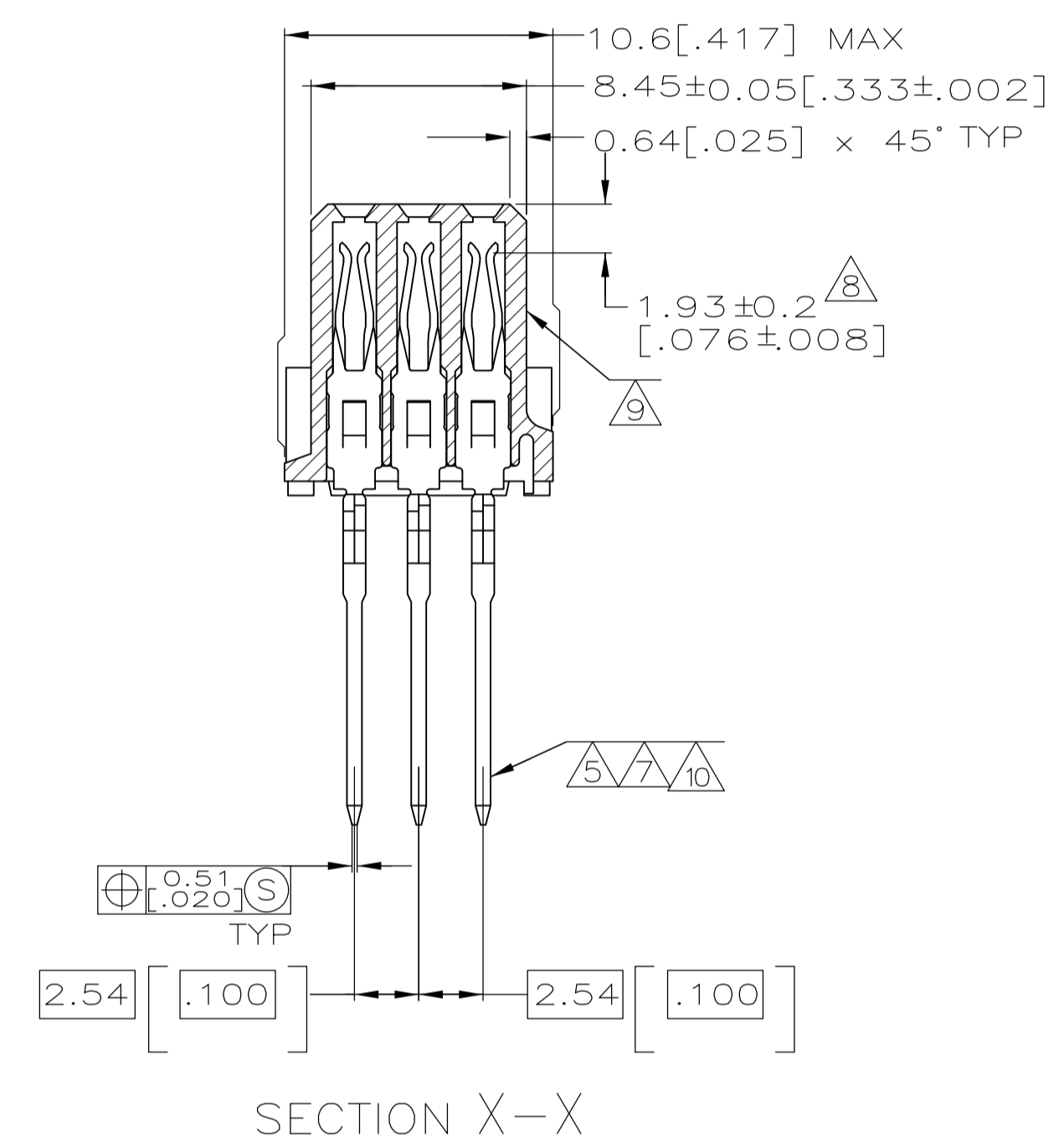
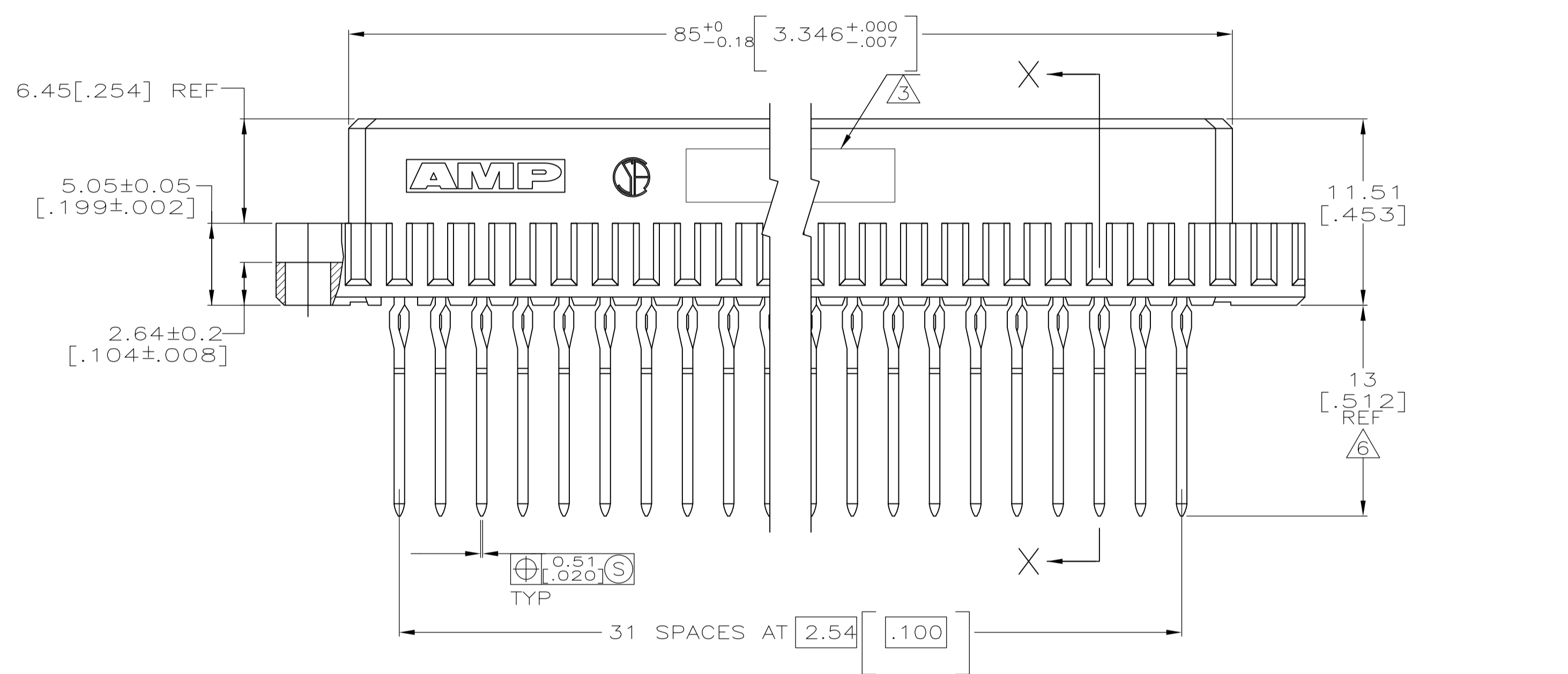
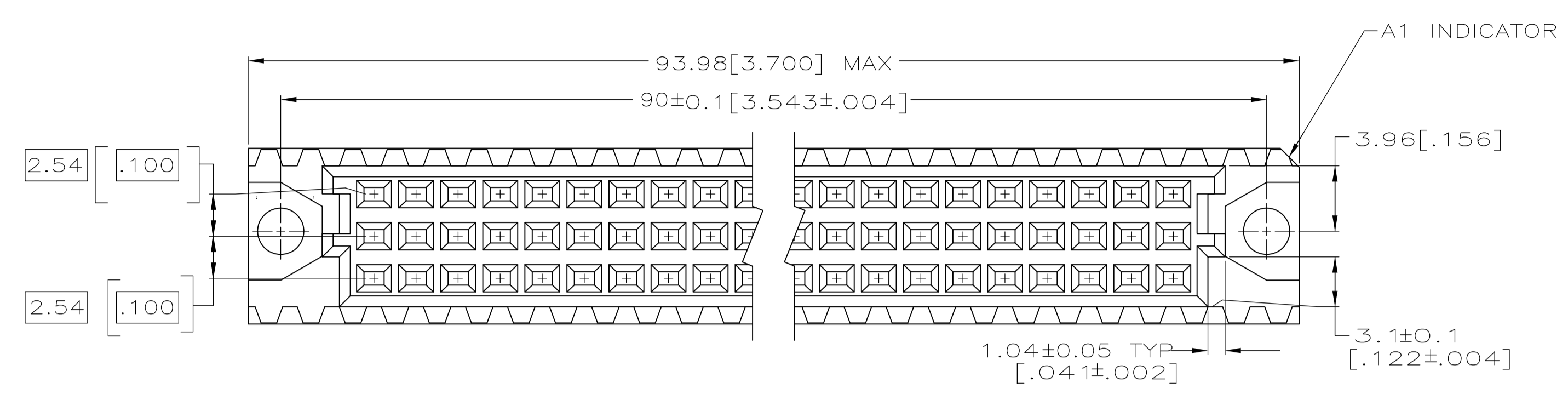


LOC		DIST		REVISIONS			
AD	25	P	LTR	DESCRIPTION	DATE	DN	APVD
G1				REVISED PER ECO-11-005301	07MAR11	RK	HMR



- 1 HOUSING MATERIAL: GLASS-FILLED POLYESTER. COLOR: GRAY.
- 2 CONTACT MATERIAL: PHOSPHOR BRONZE.
- 3 PART NUMBER AND DATE CODE HOT STAMPED IN THIS APPROXIMATE AREA.
- 4 ACTION PIN POSTS REQUIRE 1.57 [0.062] MINIMUM THICK PC BOARD. RECOMMENDED PC BOARD DRILLED HOLES ARE 1.15 ± 0.025 [0.0453 ± 0.010] DIAMETER WITH 0.02 - 0.08 [0.001 - .003] COPPER AND 0.008 [0.0003] MINIMUM TIN-LEAD PLATING. FINISHED HOLE AFTER PLATING IS 1.02 ± 0.08 [0.040 ± .002] DIAMETER.
- 5 CONTACT FINISH: DIN 41612 CLASS 2 IN CONTACT AREA. TIN-LEAD PLATE ON POSTS.
- 6 TAIL LENGTH AFTER SEATING IN PC BOARD.
- 7 CONTACT FINISH: DIN 41612 CLASS 2 IN CONTACT AREA AND LAST 5.08 [0.200] OF POST.
- 8 CONTACT POINT AFTER SEATED IN PC BOARD.
- 9 HOT STAMPING ON THIS SIDE.
- 10 CONTACT FINISH: 0.00076 [0.00030] GOLD IN CONTACT AREA AND LAST 5.08 [0.200] OF POST. 0.00127 [0.00050] NICKEL UNDERPLATE ALL OVER.

7	1-148057-5
10	1-148057-4
5	148057-5
FINISH	PART NO

THIS DRAWING IS A CONTROLLED DOCUMENT.

DIMENSIONS: mm [INCHES]	TOLERANCES UNLESS OTHERWISE SPECIFIED:	DIN L. BRINER 7/26/94	CHK R. PATTERSON 8/9/94	STE TE Connectivity	
0 PLC ± -	1 PLC ± -	APVD R. PATTERSON		NAME RECEPTACLE ASSEMBLY, EUROCARD, TYPE C	
2 PLC ± 0.13 [0.005]	3 PLC ± -	PRODUCT SPEC		APPLICATION SPEC	
4 PLC ± -	ANGLES ± -	SIZE A1	CAGE CODE 00779	DRAWING NO C=148057	RESTRICTED TO
MATERIAL HOUSING: △	CONTACTS: △△△△△	WEIGHT -	CUSTOMER DRAWING		SCALE 4:1 SHEET 1 OF 1 REV G1

## X-ON Electronics

Largest Supplier of Electrical and Electronic Components

*Click to view similar products for [DIN 41612 Connectors](#) category:*

*Click to view products by [TE Connectivity](#) manufacturer:*

Other Similar products are found below :

[004.767](#) [608489050008049](#) [691327-1](#) [74670-0732](#) [74680-0340](#) [75880-0015](#) [76453-0014](#) [86093159ALF](#) [9732967801](#) [QLC260R](#)  
[120X10019X](#) [120X10089X](#) [122A10249X](#) [122A11089X](#) [122A13089X](#) [122A10089X](#) [122A10129X](#) [122A10349X](#) [122A13359X](#) [1377391-4](#)  
[DIN-048CPC-SR1-MH](#) [1393583-2](#) [1393726-7](#) [140X10129X](#) [143-1913-000](#) [143-1908-000](#) [1484472-1](#) [2110070-1](#) [2110070-2](#) [CBC20T00-](#)  
[008FDS5-0-1-002VR](#) [172699-5036](#) [2-1393557-4](#) [2-1437084-2](#) [394506](#) [419-2080-402](#) [V42254B2202C968](#) [419-2086-201](#) [419-2087-002](#)  
[448657-1](#) [448847-3](#) [5-1393755-9](#) [02990000004](#) [054302](#) [043556](#) [09062483201750](#) [0850033067](#) [09031646555](#) [09061486901840](#)  
[09185107324800](#) [102A10019X](#)