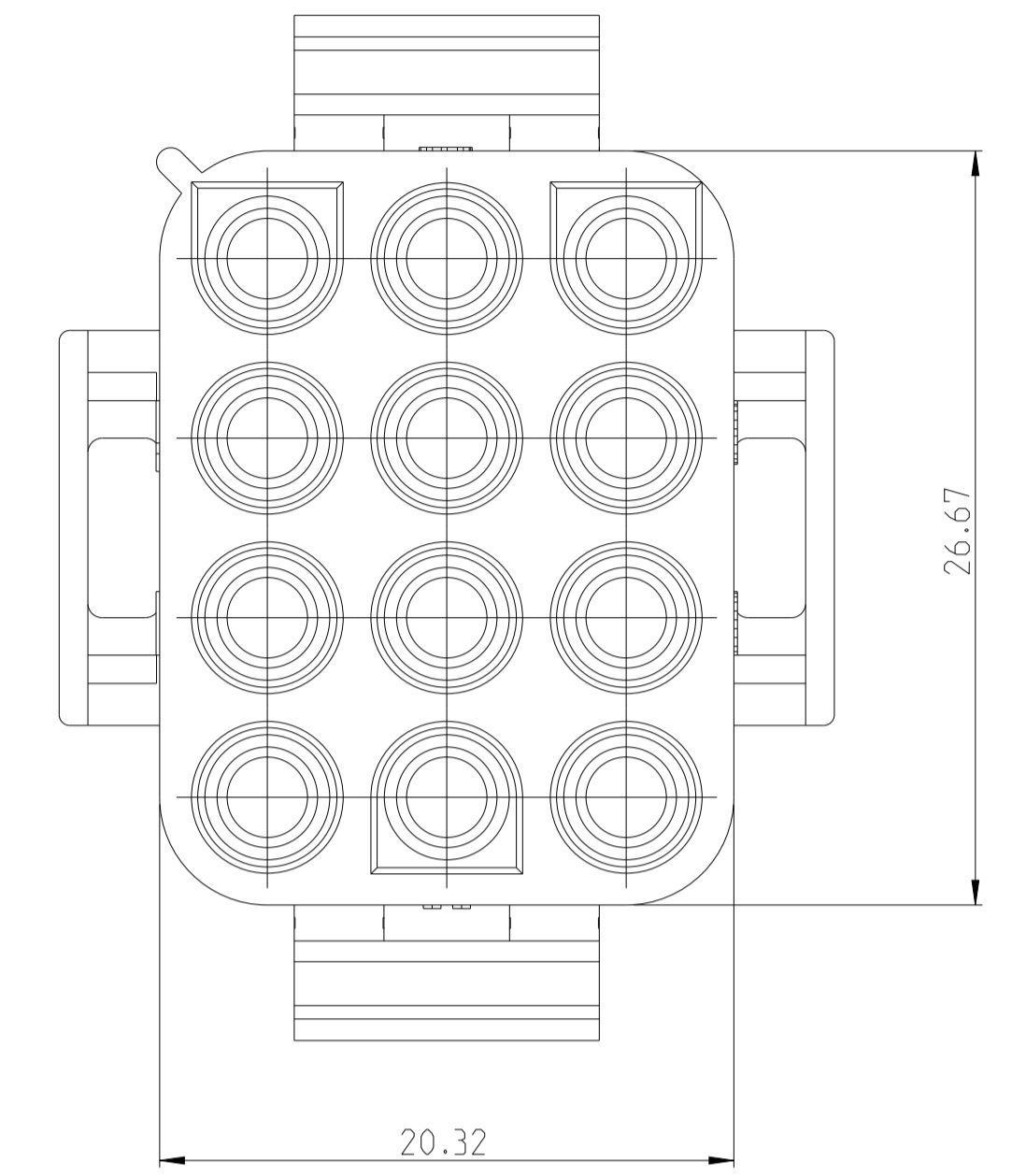
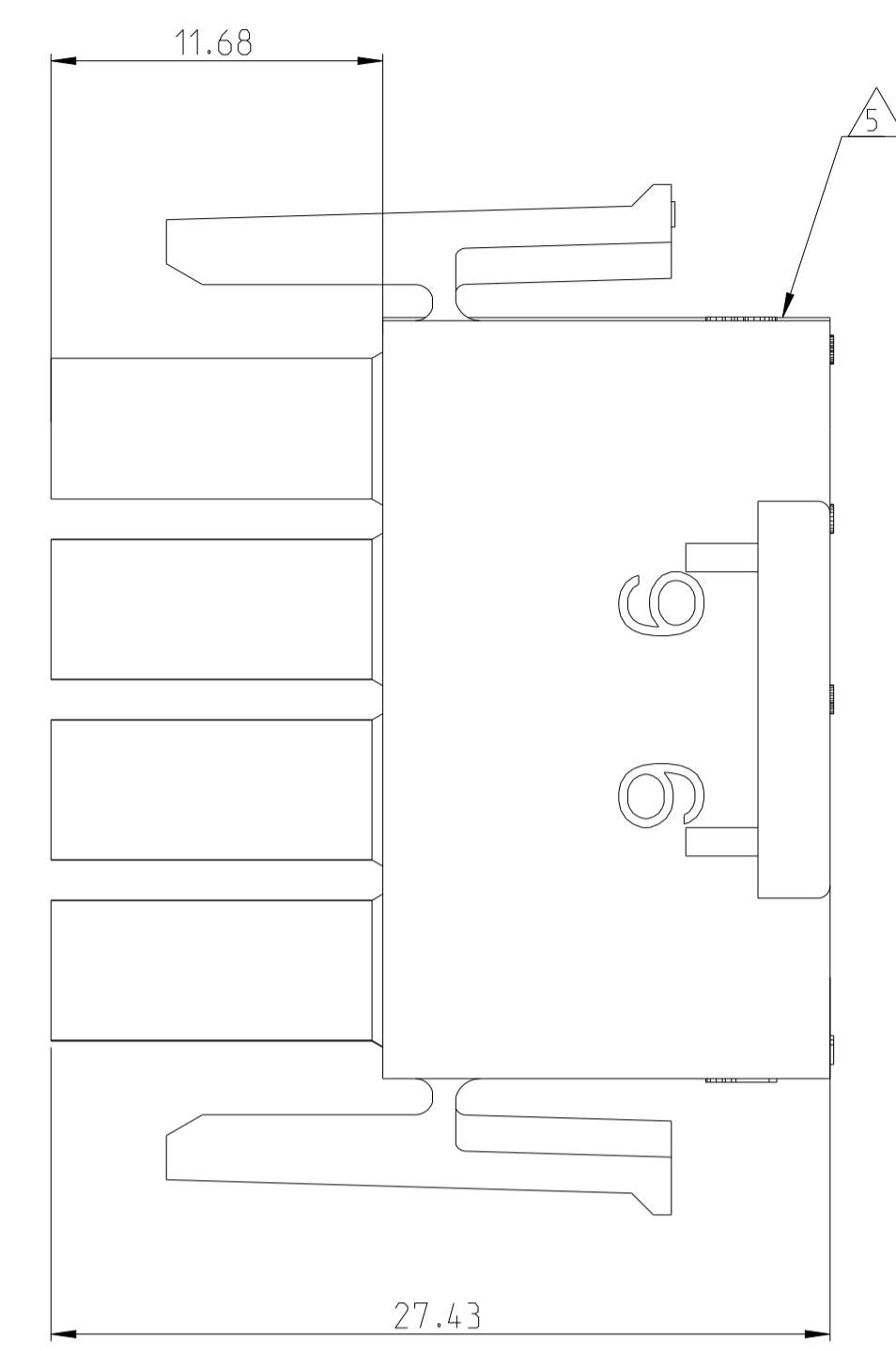
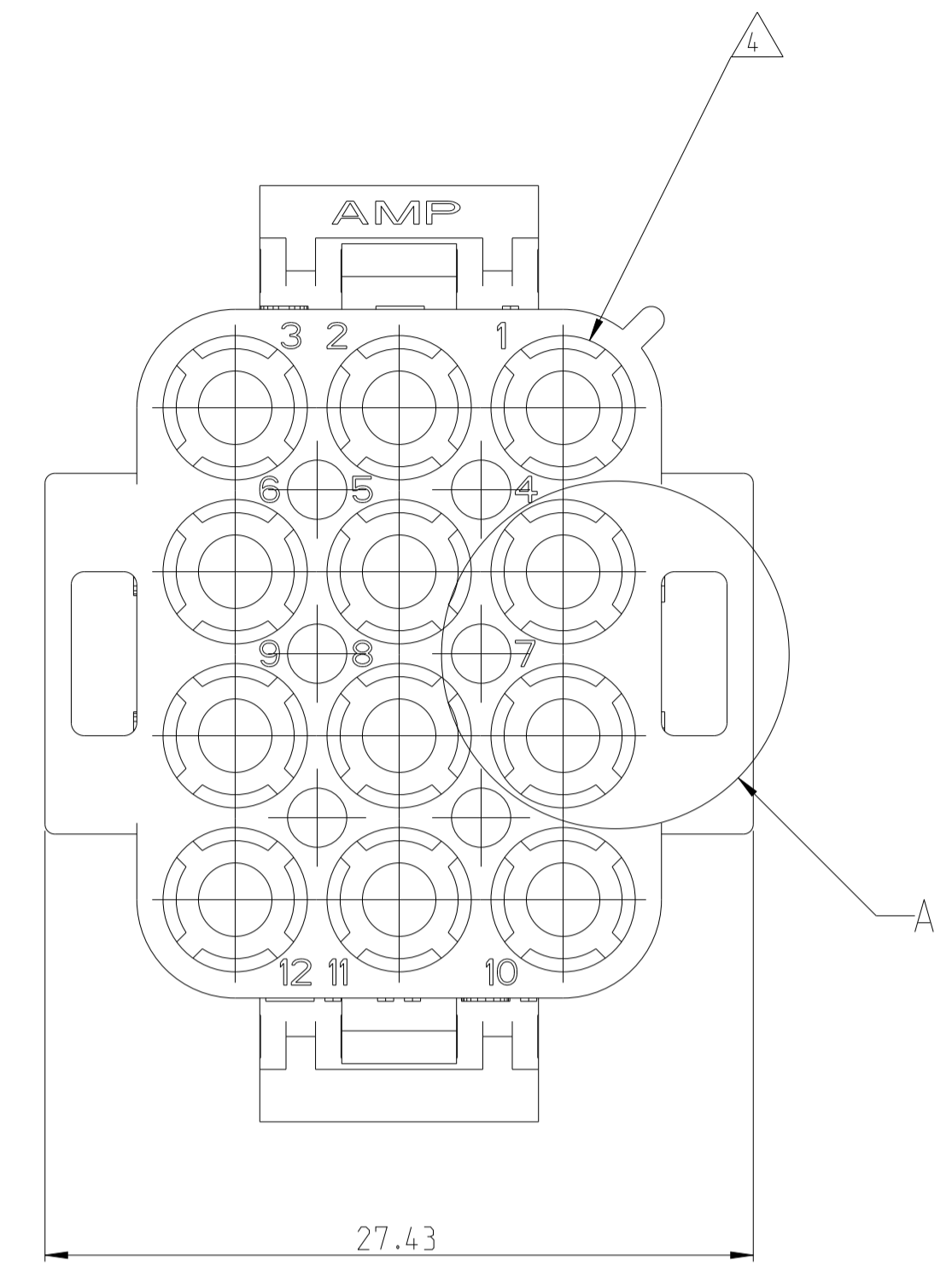
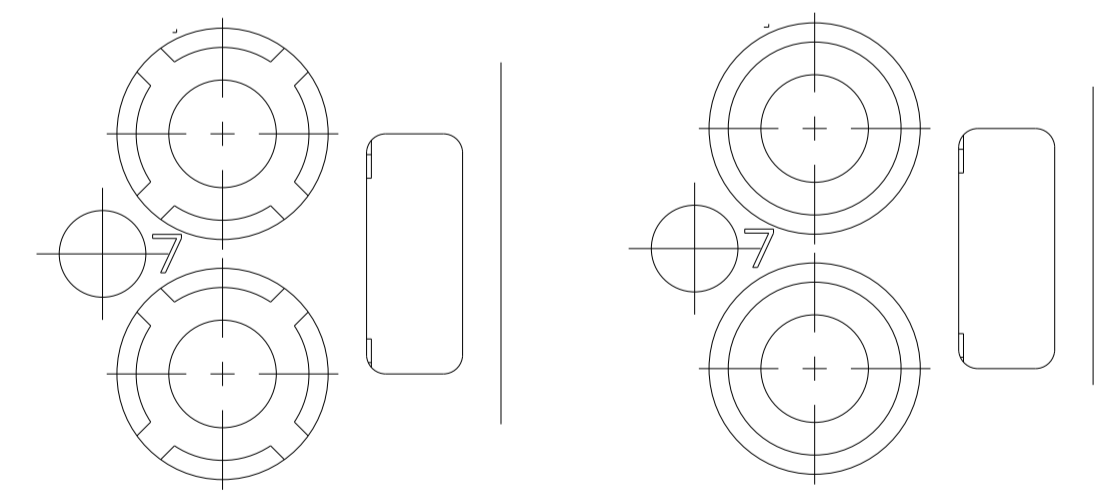


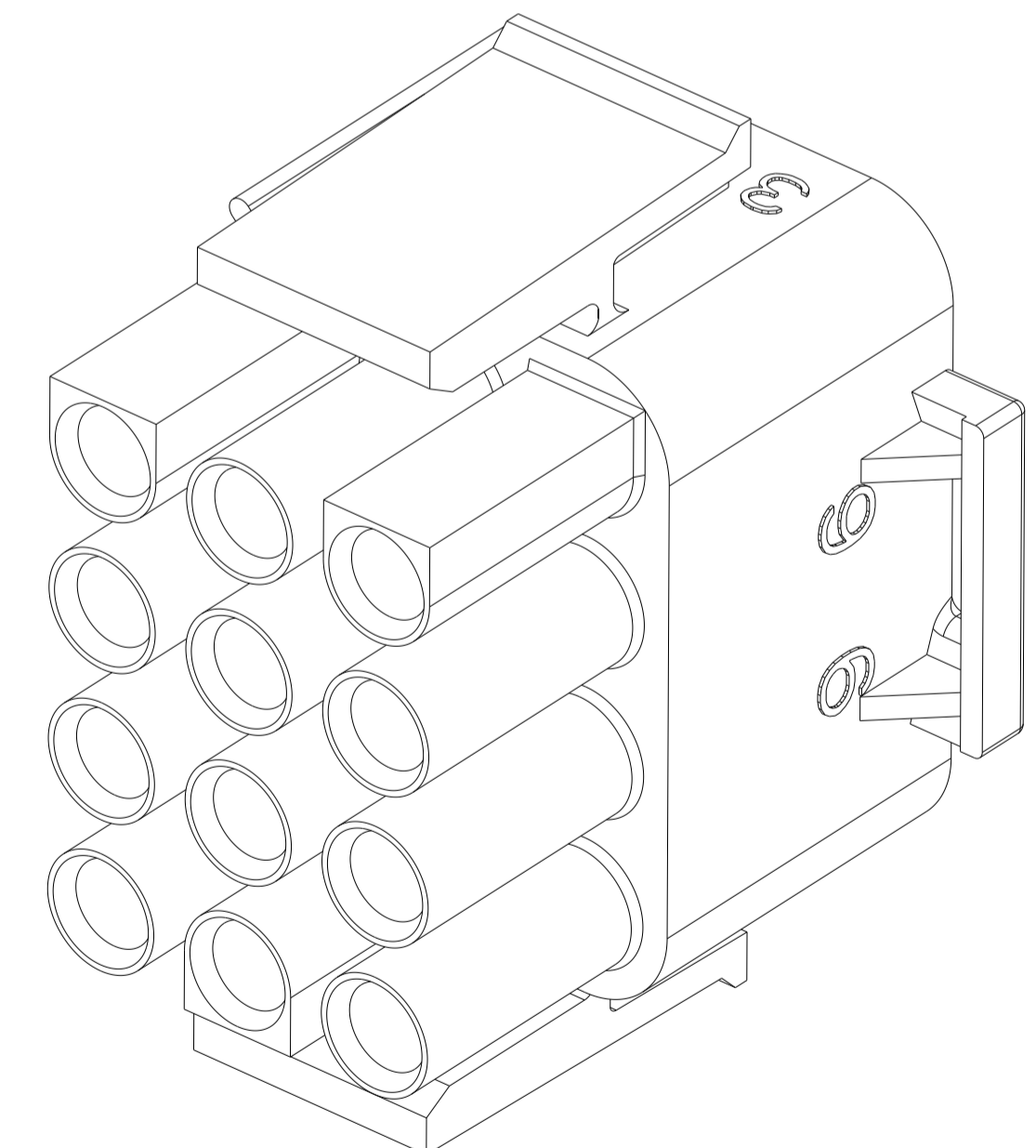
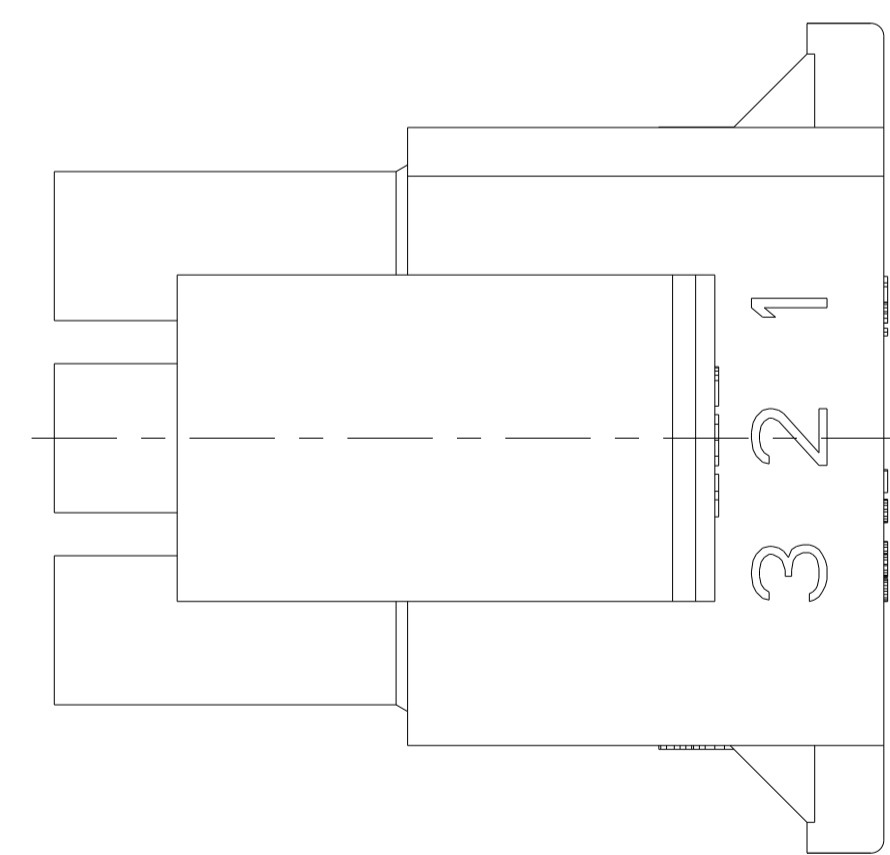
REVISIONS				
P	LTN	DESCRIPTION	DATE	OWN APVD
AP3		REVISED PER ECR-17-008392	28JUN2017	BW KR
AP4		REVISED PER ECR-21-120286	1NOV2021	SS VS



- 1 MATES WITH APPROPRIATE UNIVERSAL MATE-N-LOK CAP OR HEADER.
- 2 SMALL NICKS ARE PERMITTED ON THE CIRCUIT TOWERS WHICH COULD INCREASE THE INITIAL HOUSING MATING FORCE BY UP TO 4.4 NEWTONS (1.0 LBS). NO INDIVIDUAL NICKED TOWER SHALL INCREASE THIS FORCE BY OVER 2.2 NEWTONS (1.5 LBS).
- 3 DIMENSIONS SHOWN REPRESENT PRODUCT IN DRY, AS MOLDED, CONDITION. ADDITIONAL 2% GROWTH DUE TO SUBSEQUENT MOISTURE ABSORPTION MAY OCCUR AND SHOULD BE ACCOUNTED FOR.
- 4 FOUR RIBS EQUALLY SPACED, NO SPECIFIC ORIENTATION. NO RIBS OR SIX RIBS EQUALLY SPACED, NO SPECIFIC ORIENTATION, OPTIONAL.
- 5 UNDERWRITERS RECOGNIZED COMPONENT LOGO AND CSA CERTIFICATION LOGO TO BE LOCATED ONCE EACH ON SIDE OF HOUSING.
- 6 OBSOLETE PARTS: OBSOLETE CIS STREAMLINING PER D.RENAUD/D.SINISI



DETAIL A  
OPTIONAL CONSTRUCTION

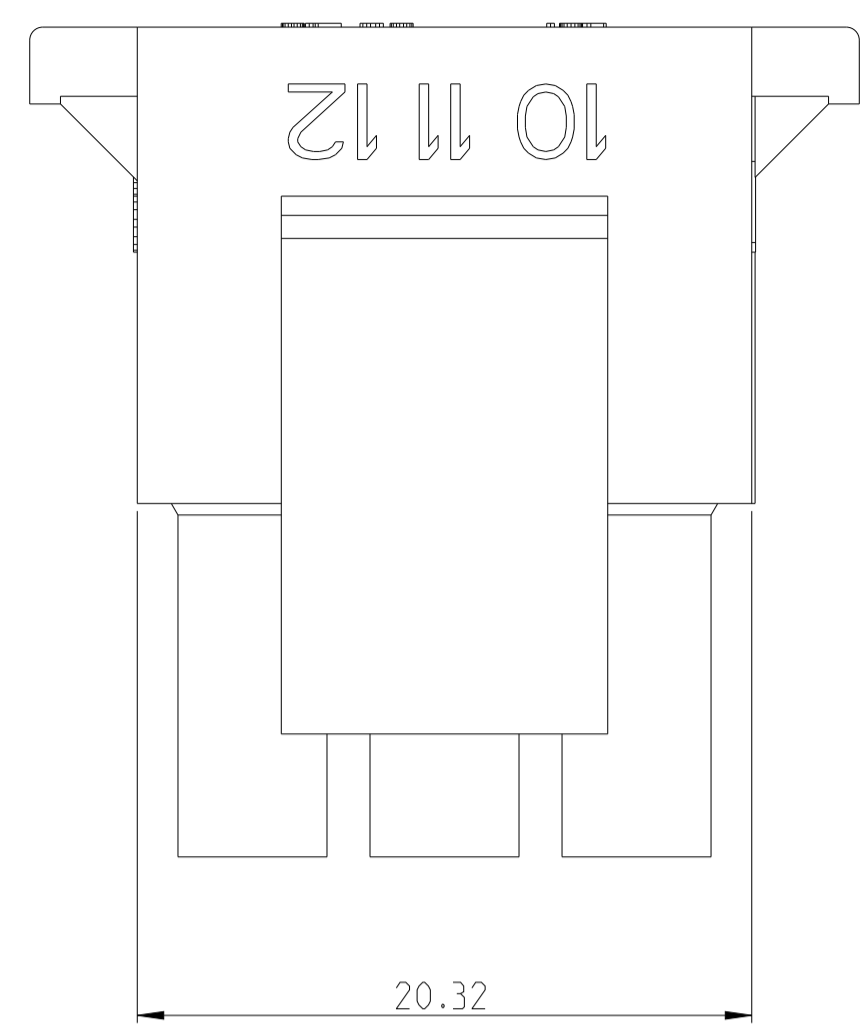


3-DIMENSIONAL MODEL  
NTS

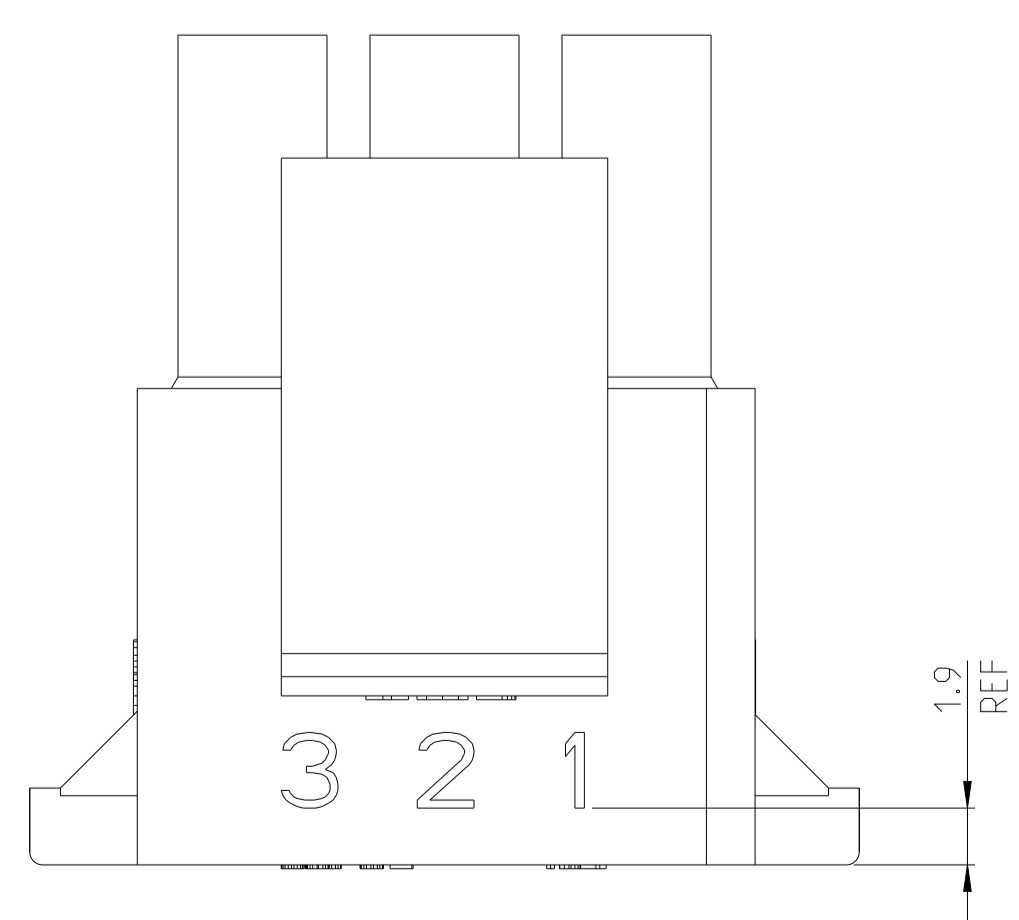
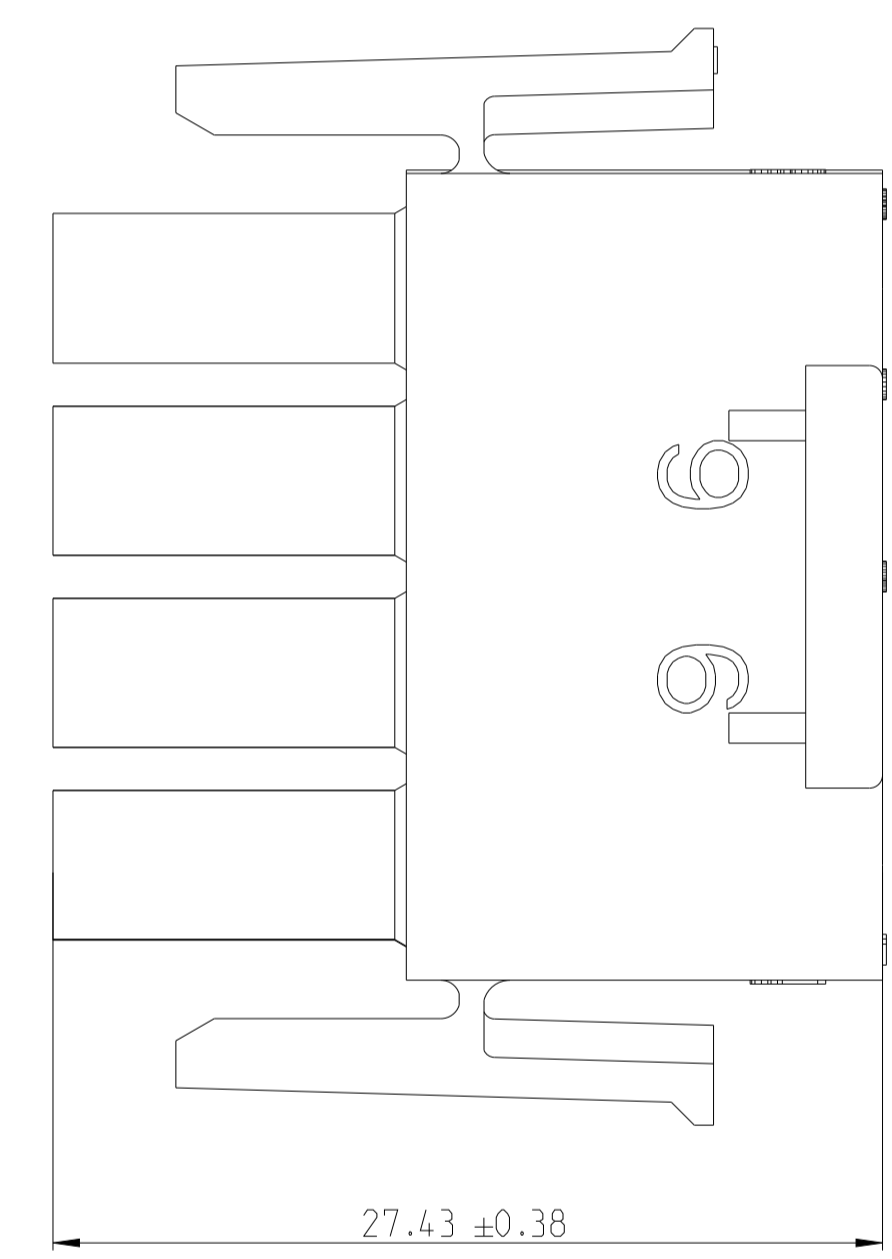
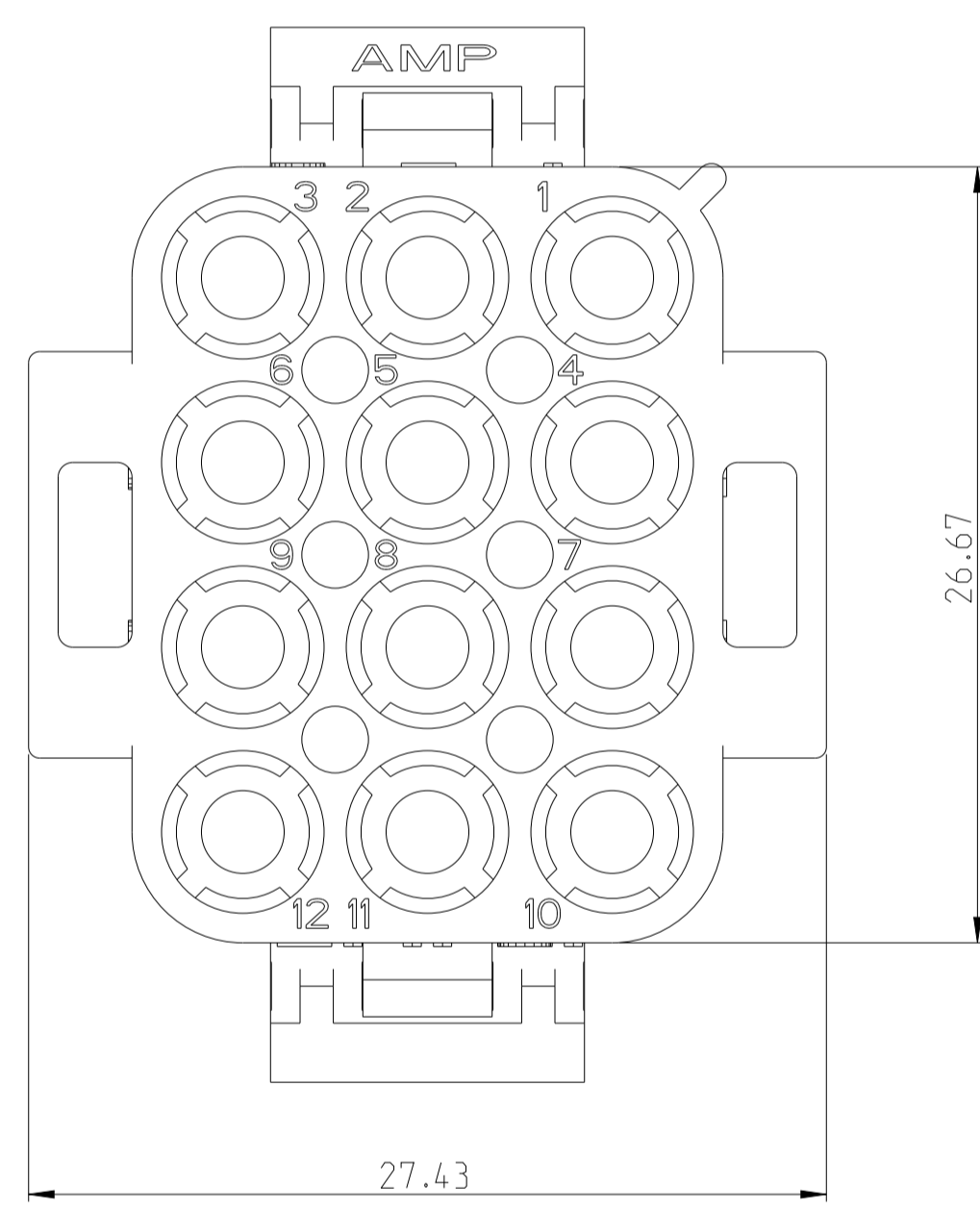
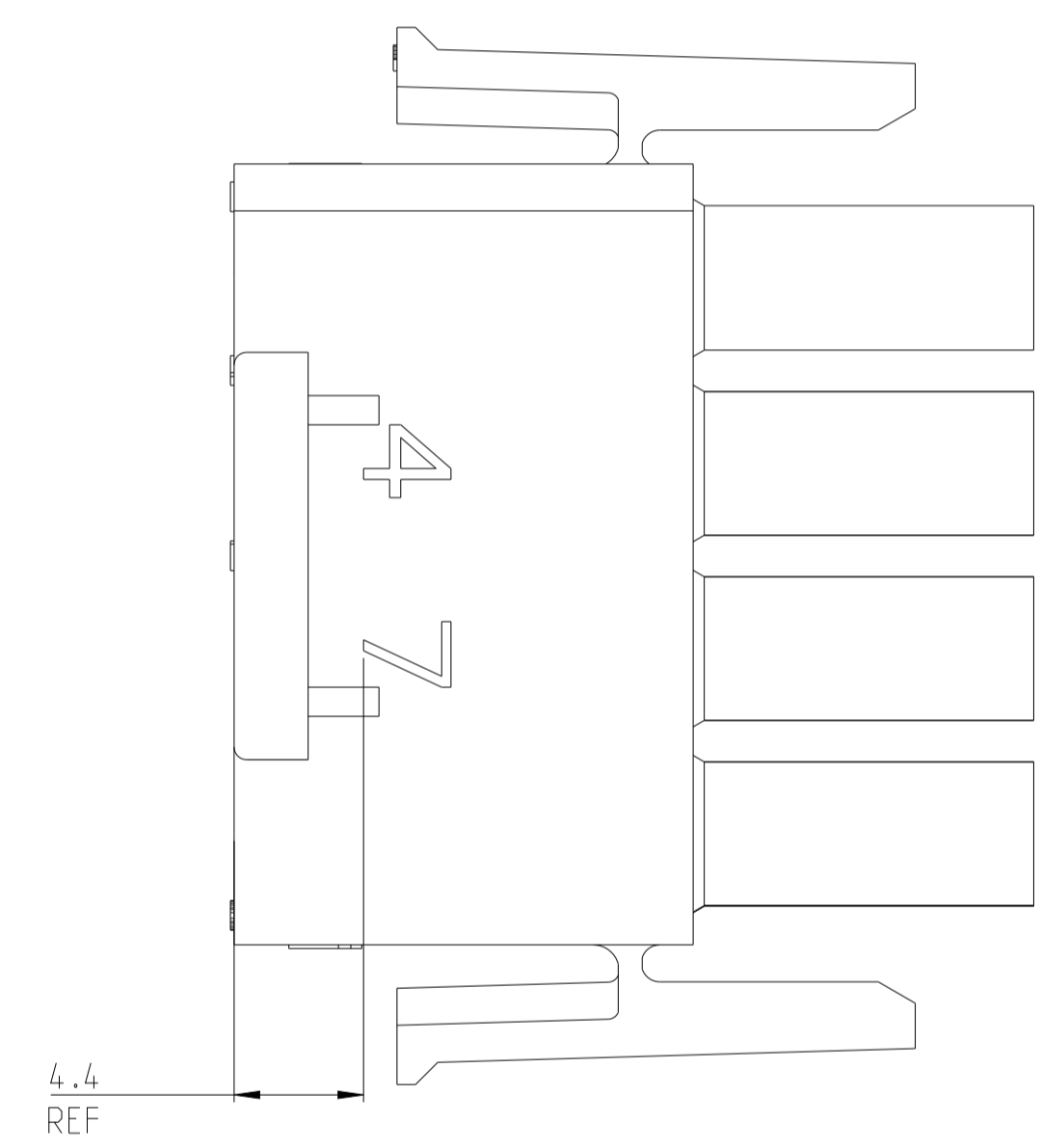
	BLACK	1-480708-9
6	OBSOLETE - GRAY	1-480708-8
	OBSOLETE - VIOLET	1-480708-7
6	OBSOLETE - BLUE	1-480708-6
6	OBSOLETE - GREEN	1-480708-5
	YELLOW	1-480708-4
6	OBSOLETE - ORANGE	1-480708-3
	RED	1-480708-2
6	SUPERSEDED BY 1-480708-0 - BROWN	1-480708-1
	NATURAL	1-480708-0
	COLOR	PART NUMBER

THIS DRAWING IS A CONTROLLED DOCUMENT.		OWN K. WHITAKER 01SEP2004		
DIMENSIONS: mm		CHK S. RIDGILL 01SEP2004		
TOLERANCES UNLESS OTHERWISE SPECIFIED:		APVD S. RIDGILL 01SEP2004	NAME PLUG, 12 CIRCUIT, UNIVERSAL MATE-N-LOK	
0 PLC	±	PRODUCT SPEC	SIZE	CAGE CODE
1 PLC	±	APPLICATION SPEC	A	00779
2 PLC	±0.13	WEIGHT	C=480708	
3 PLC	±	CUSTOMER DRAWING	SCALE	4:1
4 PLC	±		SHEET	1 OF 2
ANGLES	±0°30'		REVISION	AP4
FINISH	-			

REVISIONS				
P	LTN	DESCRIPTION	DATE	APVD
-		SEE SHEET 1	-	-



- 1 STAMP NUMBERS 3.18 HIGH AT WIRE END OF HOUSING (12 POINT DAVID TYPE).
- 2 CHARACTERS TO BE POSITIONED ON HOUSING TO BE READ FROM WIRE END ONLY.
- 3 VIOLET, BLACK, BROWN, AND BLUE COLORED BLOCKS TO BE STAMPED WITH WHITE CHARACTERS. ALL OTHER COLORED BLOCKS TO BE STAMPED WITH BLACK CHARACTERS.



NATURAL	2-480708-0
COLOR	PART NUMBER

THIS DRAWING IS A CONTROLLED DOCUMENT.		DWN K. WHITAKER 01SEP2004 CHK S. RIDGILL 01SEP2004		
DIMENSIONS: mm		APVD S. RIDGILL 01SEP2004 PRODUCT SPEC	NAME PLUG, 12 CIRCUIT, UNIVERSAL MATE-N-LOK	
TOLERANCES UNLESS OTHERWISE SPECIFIED: 0 PLC ± 1 PLC ± 2 PLC ±0.13 3 PLC ± 4 PLC ± ANGLES ±0°30' FINISH -		APPLICATION SPEC - WEIGHT -	SIZE CAGE CODE DRAWING NO RESTRICTED TO A   00779 C=480708 -	
MATERIAL NYLON, UL 94V-2		CUSTOMER DRAWING		SCALE 4:1 SHEET 2 OF 2 REX AP4

## X-ON Electronics

Largest Supplier of Electrical and Electronic Components

*Click to view similar products for [Pin & Socket Connectors](#) category:*

*Click to view products by [TE Connectivity](#) manufacturer:*

Other Similar products are found below :

[6450822-1](#) [770392-1](#) [794042-1](#) [796885-1](#) [8-794535-1](#) [PLR3455ACS-222](#) [R929991004](#) [R929993003](#) [1403611-1](#) [1-480349-5](#) [152302-5](#)  
[153211-2](#) [1586092-1](#) [1586129-1](#) [1586681-4](#) [1586700-1](#) [1586368-1](#) [1586380-1](#) [1586616-1](#) [1586680-5](#) [16-06-0038](#) [164164-5](#) [1-6609930-1](#)  
[172296-1](#) [19-09-2035](#) [200503-1](#) [200788-2](#) [2029090-4](#) [2029095-4](#) [925061-7](#) [293734-4](#) [293737-2](#) [1-765362-4](#) [1871534-1](#) [200833-4](#)  
[2008625-2](#) [2029027-2](#) [2029096-4](#) [R929991000](#) [R929991002](#) [R929993000](#) [319-10-101-00-005000](#) [319-10-102-00-001000](#) [319-10-104-00-001000](#) [319-10-105-00-001000](#) [319-10-108-00-001000](#) [319-10-112-00-006000](#) [39-01-8019](#) [319-10-101-00-001000](#) [319-10-102-00-005000](#)