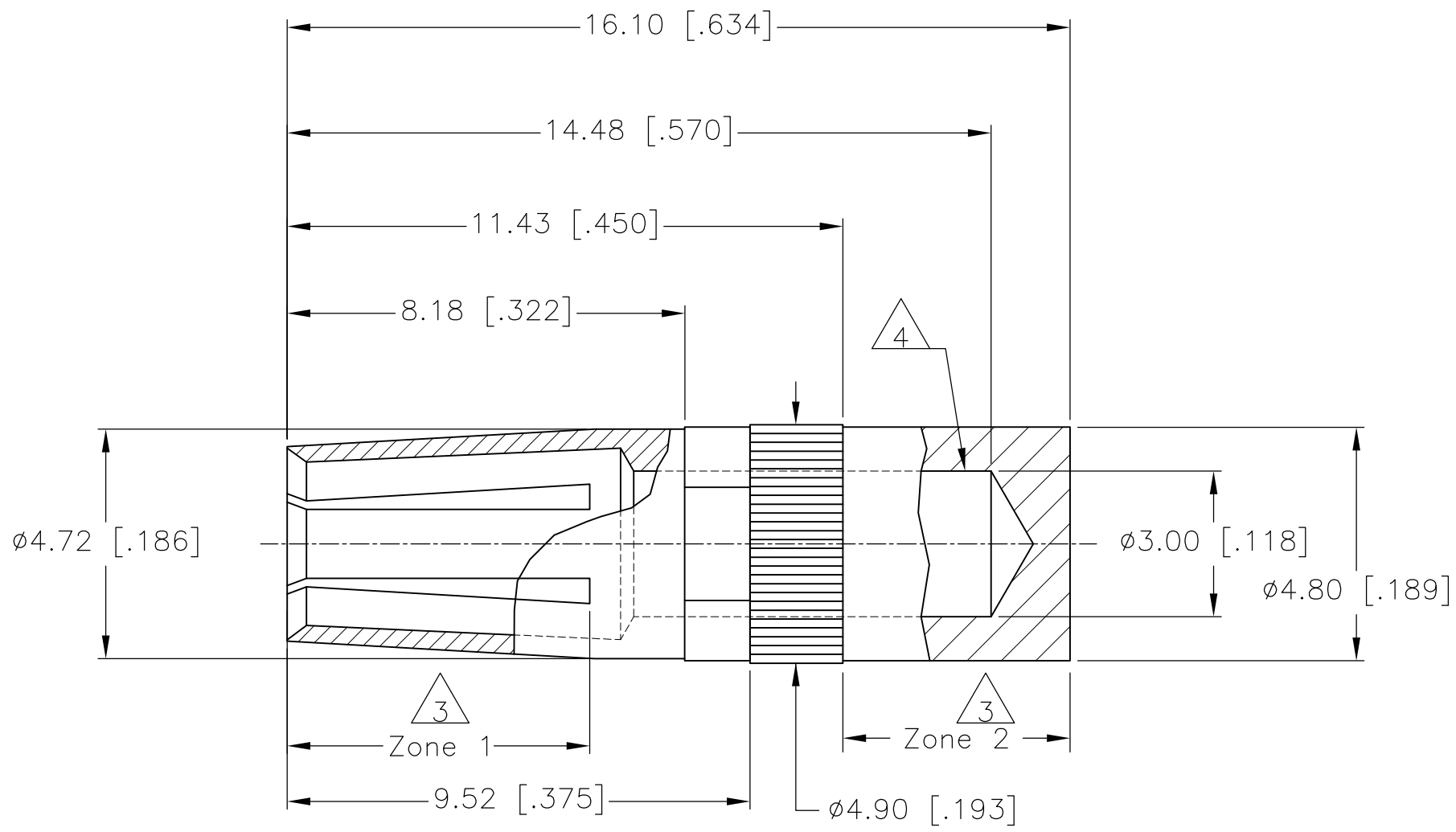
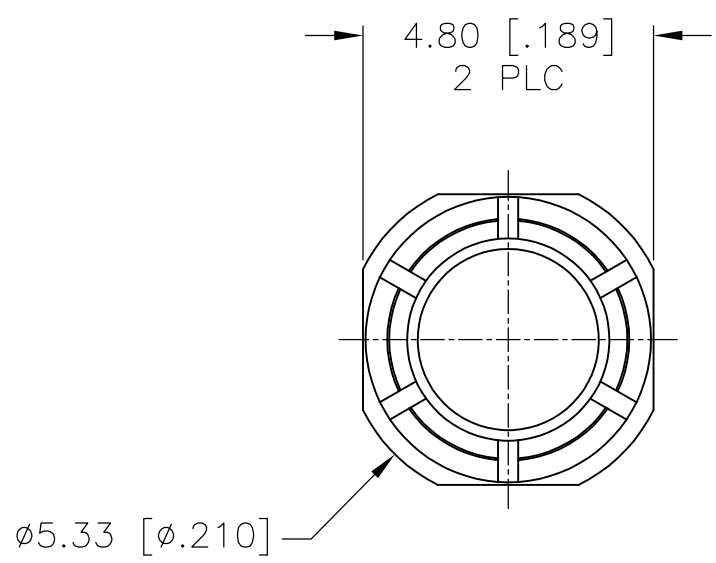


THIS DRAWING IS UNPUBLISHED. RELEASED FOR PUBLICATION  
 © COPYRIGHT - By - ALL RIGHTS RESERVED.

LOC	DIST	REVISIONS					
AD	00	P	LTR	DESCRIPTION	DATE	DWN	APVD
			C	REVISED PER ECO-14-017191	19NOV2014	AP	RP



- 1 CONTACT: BERYLLIUM COPPER.
- 2 OBSOLETE PARTS: OBSOLETE CIS STREAMLINING PER D.RENAUD/D.SINISI.
- 3 GOLD PLATE: .000030 MIN IN ZONE 1. GOLD PLATE .000010 MIN IN ZONE 2. NICKEL PLATE .000050 MIN ALL OVER.
- 4 COMPLETE PLATING COVERAGE NOT REQUIRED INSIDE BLIND HOLE.

1.27µm [.000050] MIN GOLD	1	148375-2
0.76µm [.000030] MIN GOLD	3	148375-1
FINISH	MATERIAL	PART NUMBER

THIS DRAWING IS A CONTROLLED DOCUMENT.		DWN	L. BRINER	3/3/97	<b>STE</b> TE Connectivity		
DIMENSIONS: mm [INCHES]		CHK	R. PATTERSON	3/3/97			
TOLERANCES UNLESS OTHERWISE SPECIFIED:		APVD	R. PATTERSON	3/3/97	NAME		
0 PLC ± -		PRODUCT SPEC			POWER CONTACT, FEMALE BOARD MOUNT, SOLDER		
1 PLC ± -		APPLICATION SPEC			RESTRICTED TO		
2 PLC ± 0.13 [.005]		WEIGHT			SIZE	CAGE CODE	DRAWING NO
3 PLC ± -		CUSTOMER DRAWING			A3	00779	C-148375
4 PLC ± -		SCALE			4:1	SHEET	1 OF 1
ANGLES ± -		REV			C		
FINISH		SEE TABLE					

## X-ON Electronics

Largest Supplier of Electrical and Electronic Components

*Click to view similar products for [DIN 41612 Connectors](#) category:*

*Click to view products by [TE Connectivity](#) manufacturer:*

Other Similar products are found below :

[004.767](#) [608489050008049](#) [691327-1](#) [74670-0732](#) [74680-0340](#) [75880-0015](#) [76453-0014](#) [86093159ALF](#) [9732967801](#) [QLC260R](#)  
[120X10019X](#) [120X10089X](#) [122A10249X](#) [122A11089X](#) [122A13089X](#) [122A10089X](#) [122A10129X](#) [122A10349X](#) [122A13359X](#) [1377391-4](#)  
[DIN-048CPC-SR1-MH](#) [1393583-2](#) [1393726-7](#) [140X10129X](#) [143-1913-000](#) [143-1908-000](#) [1484472-1](#) [2110070-1](#) [2110070-2](#) [CBC20T00-](#)  
[008FDS5-0-1-002VR](#) [172699-5036](#) [2-1393557-4](#) [2-1437084-2](#) [394506](#) [419-2080-402](#) [419-2085-302](#) [V42254B2202C968](#) [419-2086-201](#) [419-](#)  
[2087-002](#) [448657-1](#) [448847-3](#) [5-1393755-9](#) [02990000004](#) [033020](#) [043619](#) [054302](#) [043556](#) [0760557108](#) [09062483201750](#) [0850033067](#)