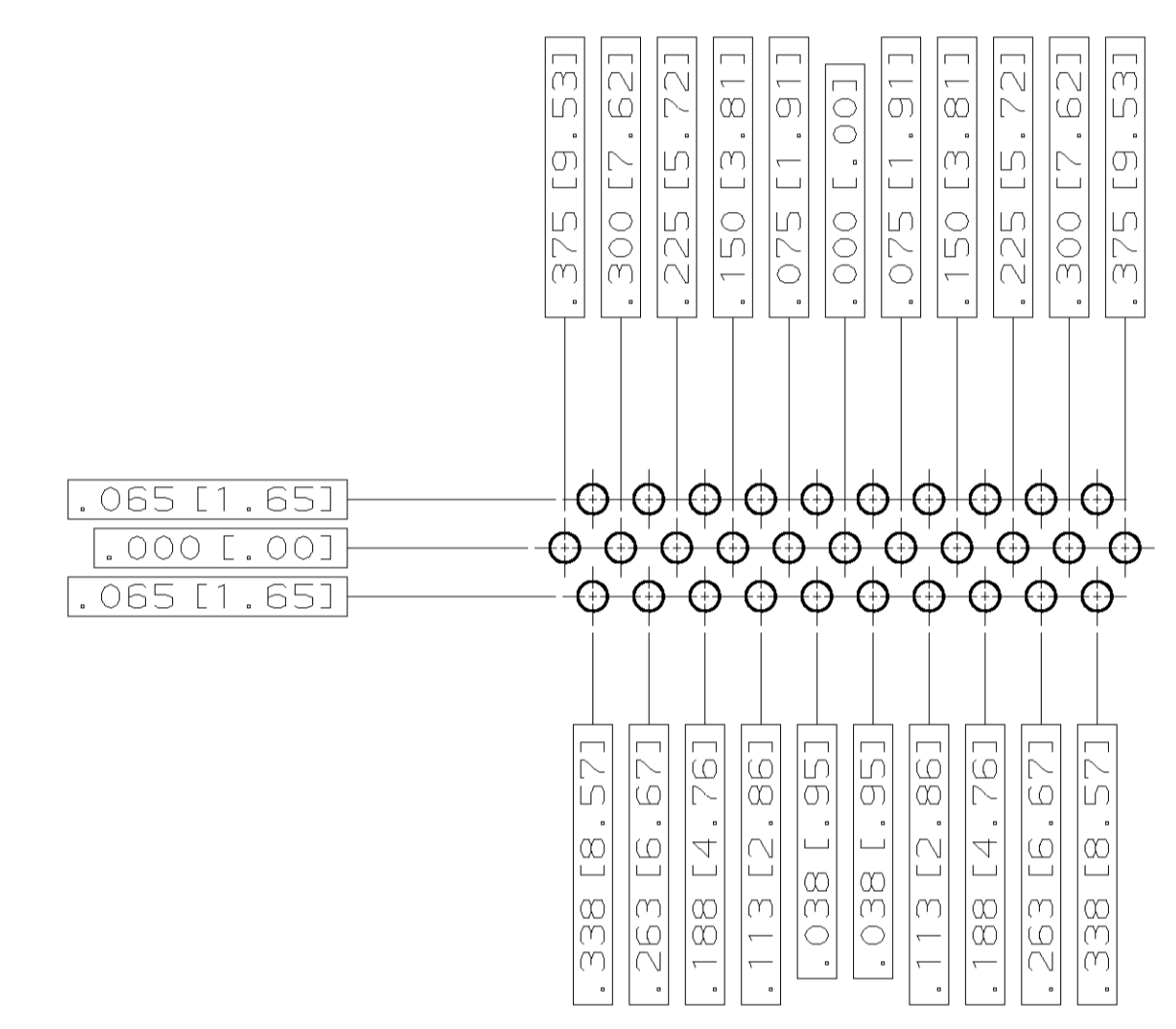
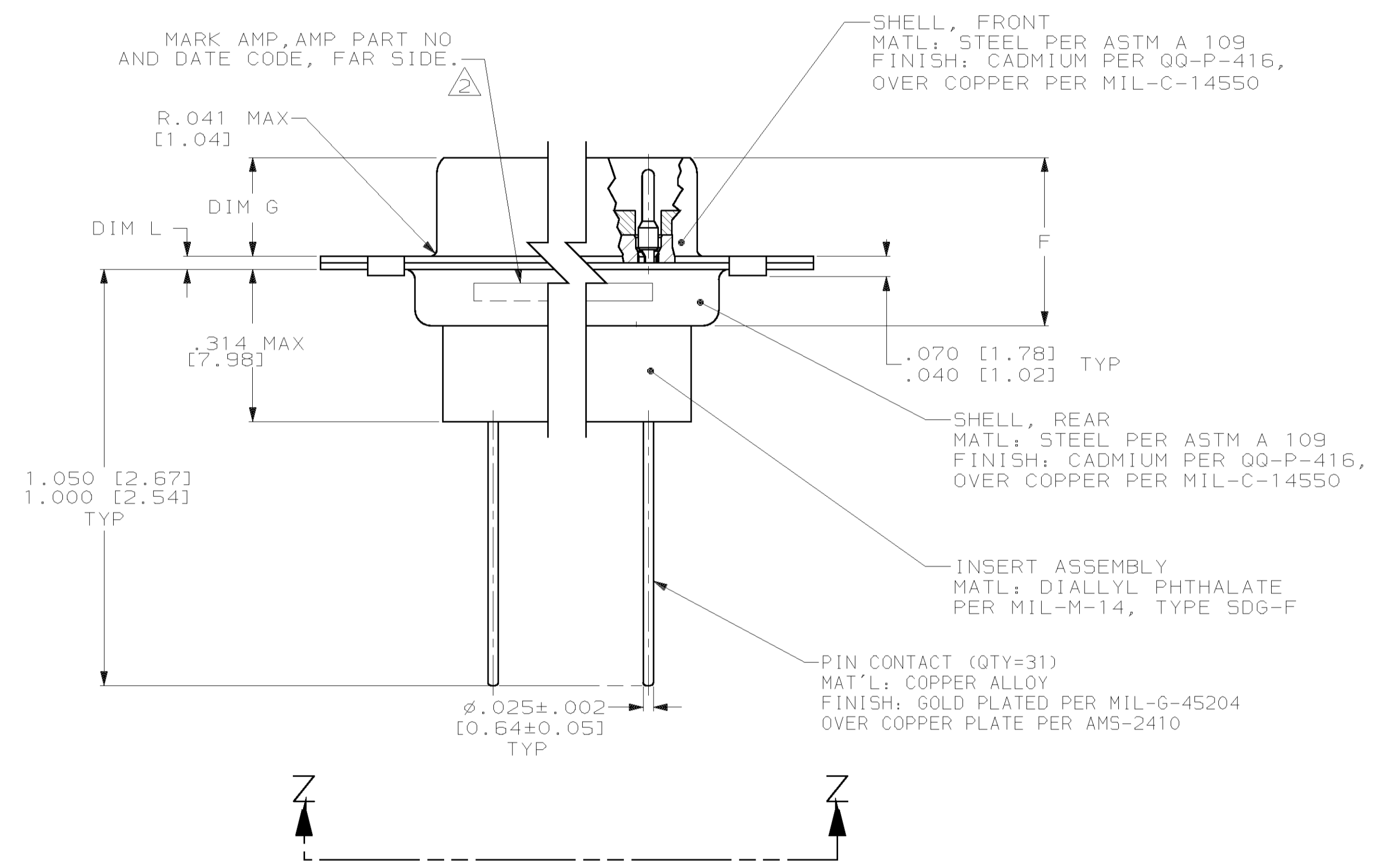
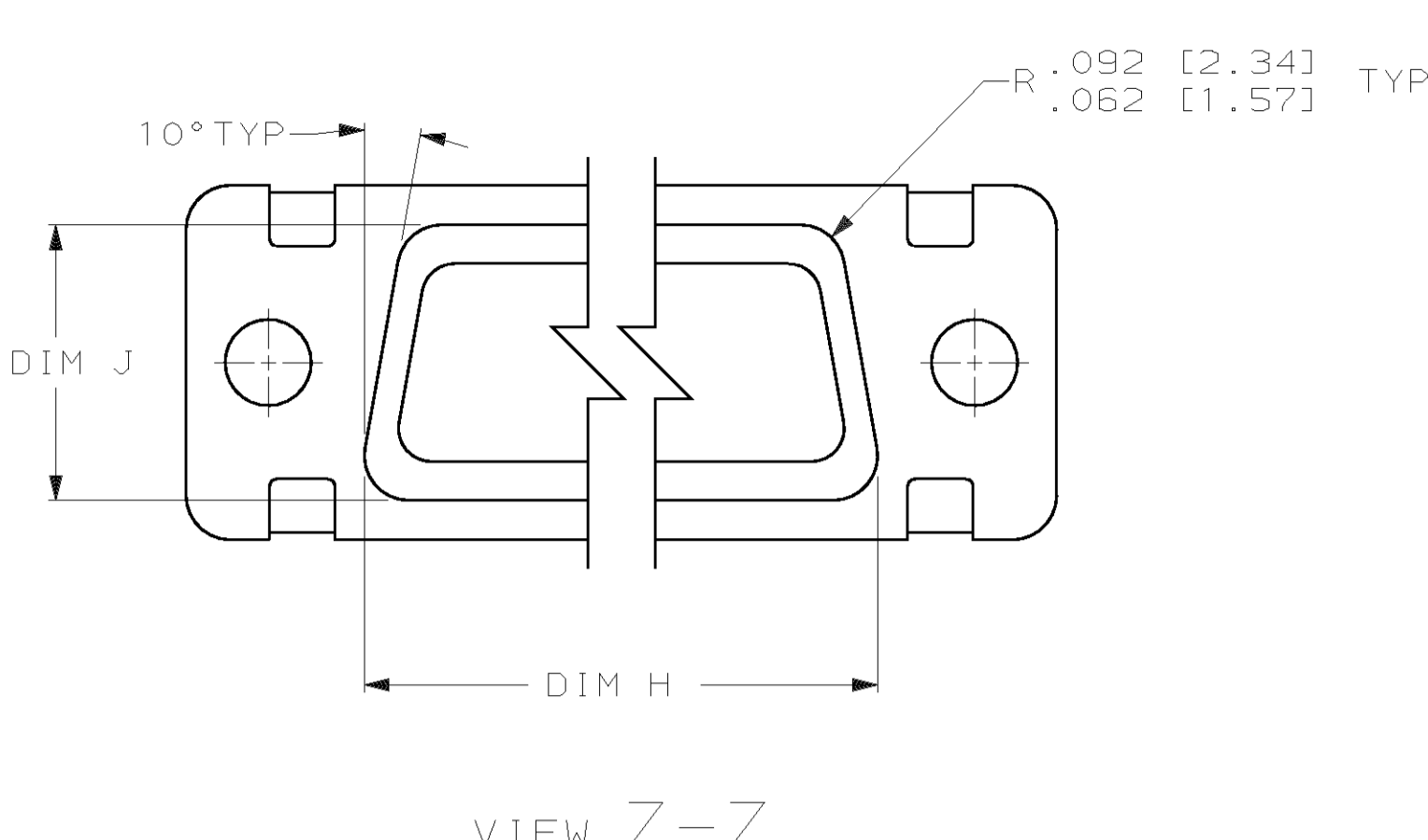
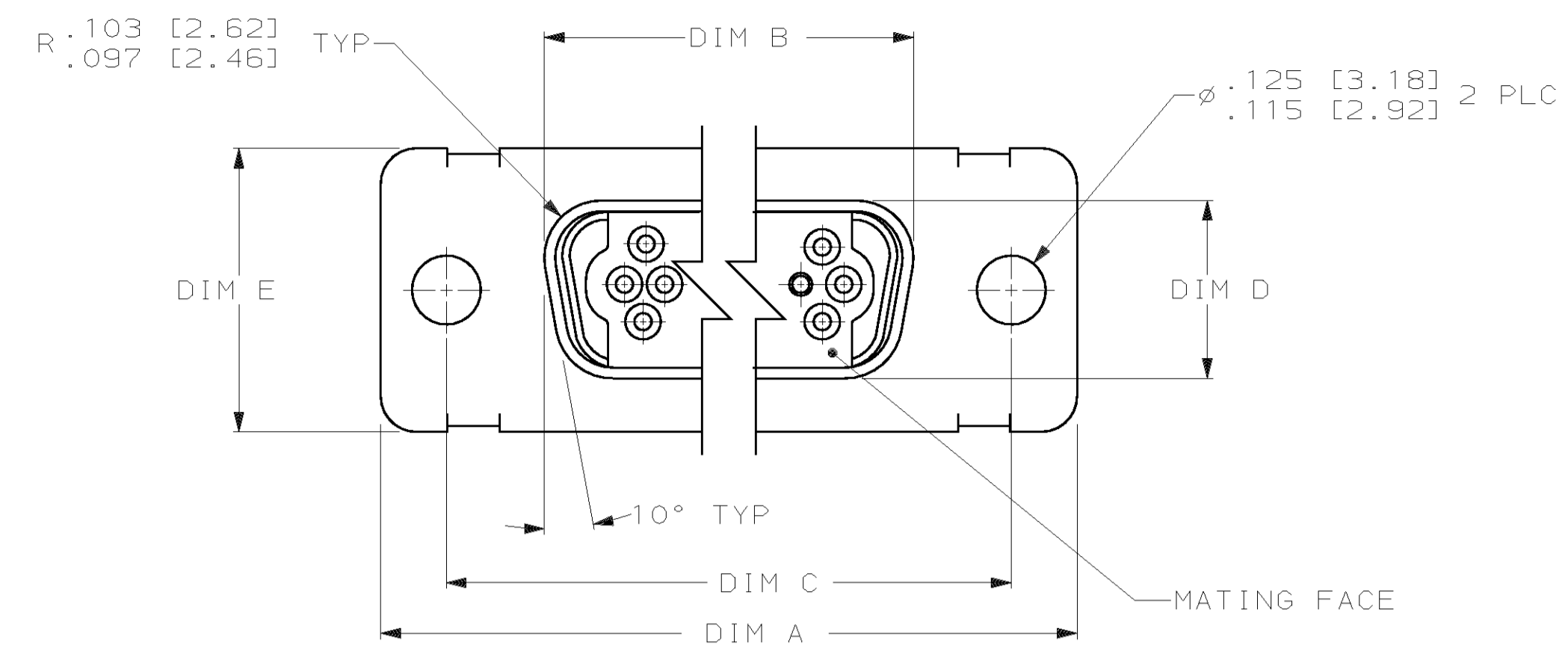


LOC	DIST	REV	DESCRIPTION	DATE	OWN	APPRO
DF	FO	A	REV PER 0630-0415-01	10-01	CT	JM



RECOMMENDED P.C. BOARD LAYOUT

- DIMENSIONS AND TOLERANCES PER ANSI Y14.5M-1982.
- MARK WITH .047 [1.19]-.062 [1.57] HIGH CHARACTERS. FAR SIDE REFERS TO THE WIDE SIDE OF THE KEYSTONE. NEAR SIDE REFERS TO THE NARROW SIDE OF THE KEYSTONE. SIZE 1 AND 2 SHALL BE MARKED AS FOLLOWS:
 A. "AMP" AND DATE CODE ON REAR SHELL, NEAR SIDE.
 B. AMP PART NUMBER ON REAR SHELL, FAR SIDE.
- .040 [1.02] DIAMETER HOLE RECOMMENDED FOR P.C. BOARD.
- REPLACEMENT CONTACT PART NO. 1484227-1.

.040 [1.02]	.432 [10.97]	1.093 [27.76]	.248 [6.30]	.439 [11.15]	.509 [12.93]	.316 [8.03]	1.317 [33.45]	.976 [24.79]	1.556 [39.52]	31	2	1484349-1
.020 [0.51]	.412 [10.46]	1.073 [27.25]	.238 [6.05]	.419 [10.64]	.479 [12.17]	.306 [7.77]	1.307 [33.20]	.966 [24.54]	1.526 [38.76]	NO OF POS	SHELL SIZE	PART NUMBER
L	J	H	G	F	E	D	C	B	A			

THIS DRAWING IS A CONTROLLED DOCUMENT.

DIMENSIONS: INCHES (mm)	TOLERANCES UNLESS OTHERWISE SPECIFIED:	DWN: C.C. THOMAS 7-26-01	AMP TYCO Electronics Corporation Harrisburg, PA 17105-3608
0 PLC ±.000	1 PLC ±.001	CHK: J. MARKEY 7-26-01	PLUG ASSY, DOUBLE DENSITY, SIZE 2, AMPLIMITE WITH CONTACTS
2 PLC ±.002	3 PLC ±.003	APPV: J. MARKEY 7-26-01	
4 PLC ±.004	ANGLES ±1°	PRODUCT SPEC: -	APPLICATION SPEC: -
MATERIAL: SEE CALLOUTS	FINISH: SEE CALLOUTS	WEIGHT: -	SIZE: A1 00779
CUSTOMER DRAWING		SCALE: 4:1	SHEET 1 OF 1 REV A

X-ON Electronics

Largest Supplier of Electrical and Electronic Components

Click to view similar products for [D-Sub MIL Spec Connectors](#) category:

Click to view products by [TE Connectivity](#) manufacturer:

Other Similar products are found below :

[M85049/50-5F](#) [850-056-0812](#) [1218697-4](#) [1484349-1](#) [17D25HV](#) [1996840-1](#) [243082-15](#) [1757682-1](#) [17D-E51218-1](#) [17SDA15S](#) [1883533-1](#)
[1883886-1](#) [1883889-1](#) [192900-0377](#) [M24308/8-347](#) [M83513/03-E09C](#) [443961-3](#) [5-1218949-1](#) [550-031NF1R6K](#) [3-1236089-2](#)
[550E001NF1R3J0L](#) [550T001NF1R6K0L](#) [557T283NF5B08](#) [DB121073-56](#) [DC121073157](#) [443869-3](#) [443869-4](#) [443869-5](#)
[550S004NF1R1B0F03](#) [557E283NF1A06](#) [527-019NF0303R2K1F](#) [5-446405-1](#) [550-031NF1R2E](#) [550E003M2R9J0F04](#) [550E003M3R9J0F05](#)
[550E024M104R9J0](#) [550E024NF102R3J0B](#) [550E039NF1R3J1-02](#) [550S003M3R9B0F05](#) [550S004M4R7M0F04](#) [550S004NF1R1B1F02](#)
[550S008M3F0K0F04](#) [550S086M5R3J0L](#) [550S100NF3F0E](#) [550T001M2R7E0L](#) [550T001NF1F0B1L](#) [550T001NF1R1K0G](#)
[550T001NF1R3K0G](#) [550T001NF1R4K0L](#) [550T001NF2R2K0L](#)