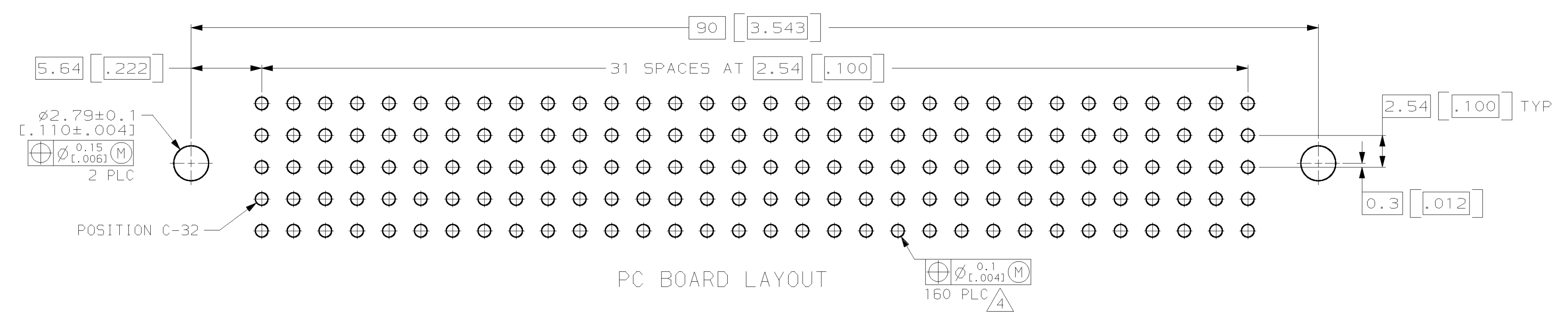
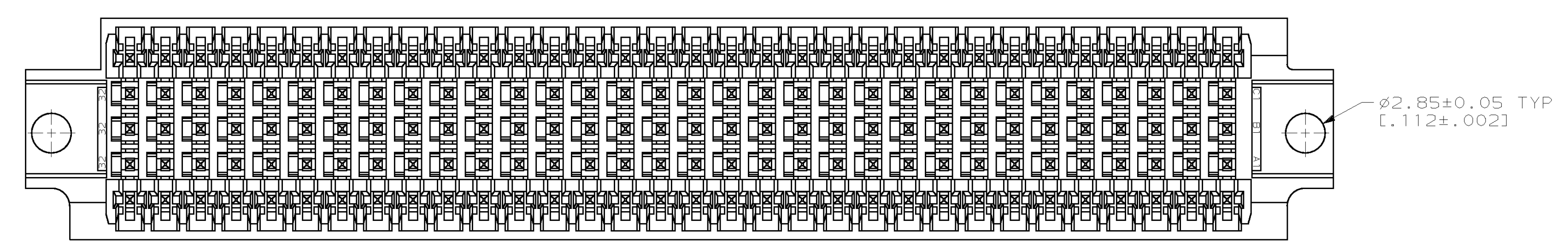
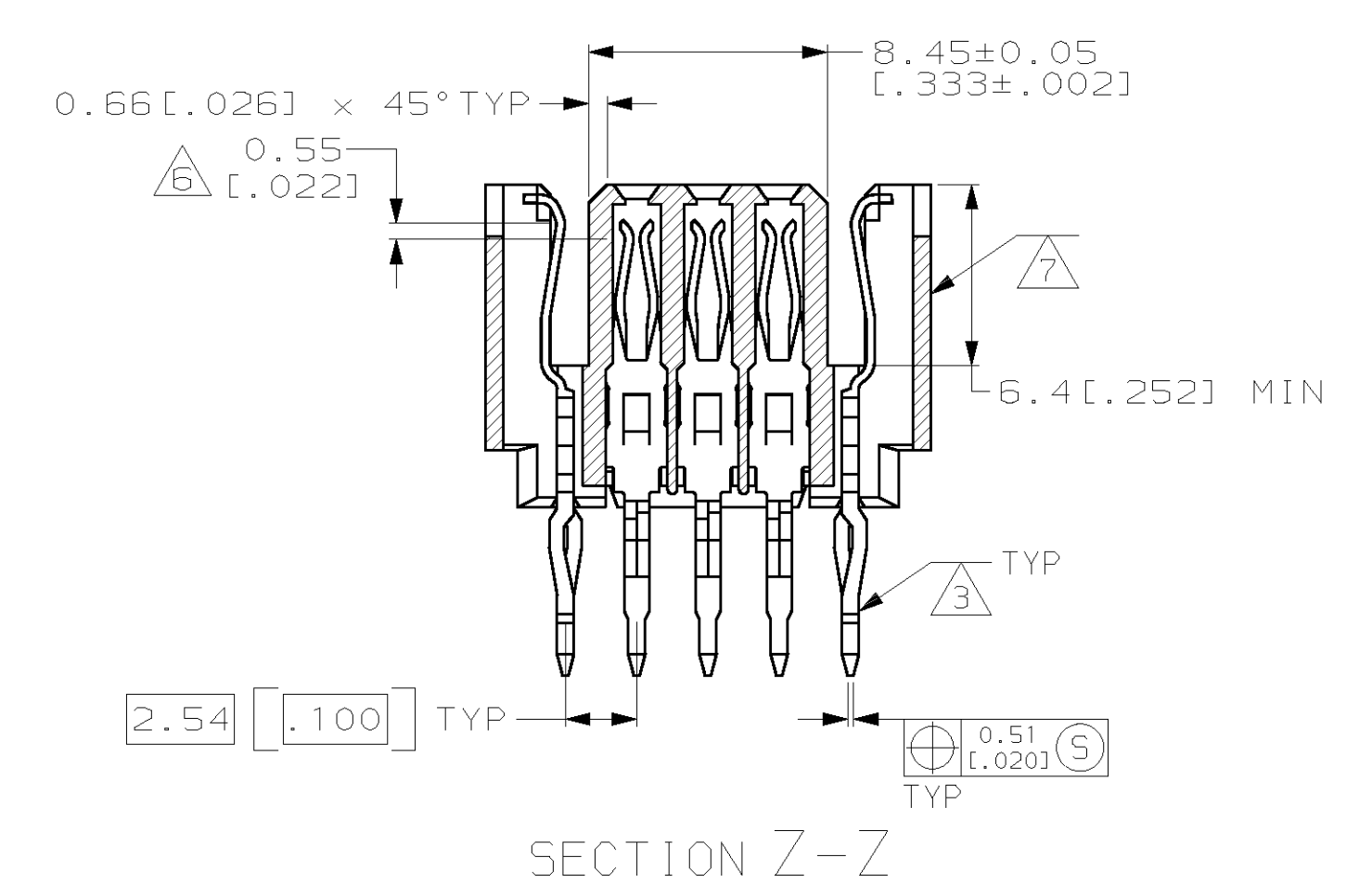
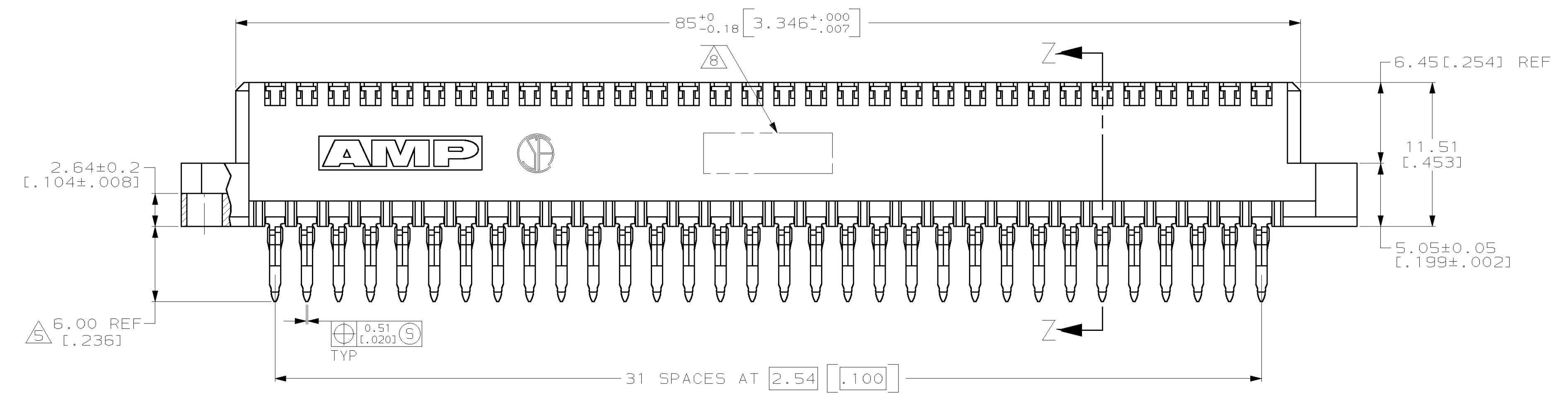
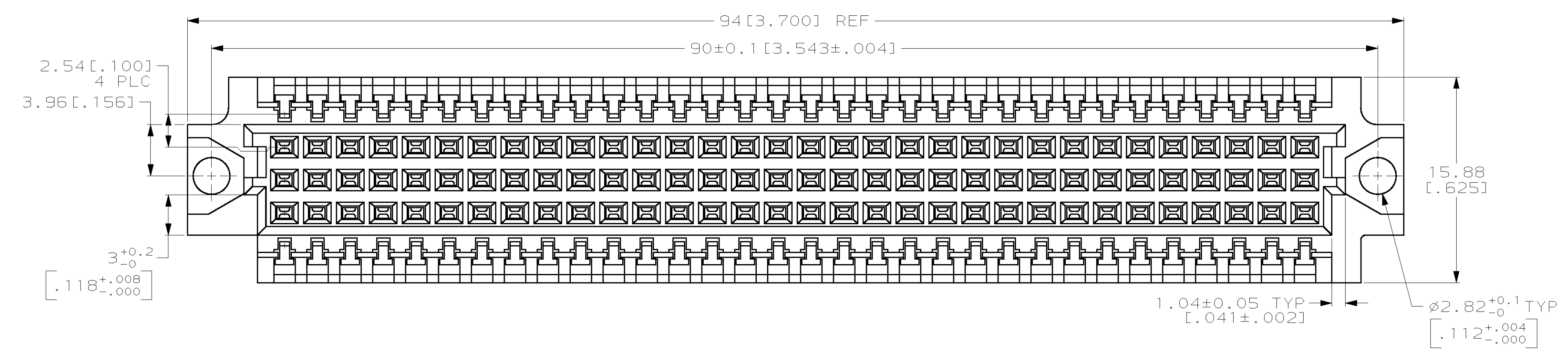


REVISIONS		DATE	OWN	APVD
AD	25			
B	REV PER	OG21-0024-99	23JAN99	BH CR

- ① HOUSING MATERIAL: GLASS-FILLED POLYESTER. COLOR: GRAY.
- ② CONTACT MATERIAL: PHOSPHOR BRONZE.
- ③ CONTACT FINISH: DIN 41612 CLASS 2 IN CONTACT AREA TIN-LEAD ON TAILS.
- ④ ACTION PIN POSTS REQUIRE 1.57[.062] MINIMUM THICK PC BOARD. RECOMMENDED PC BOARD DRILLED HOLES ARE $\phi 1.15 \pm 0.025$ [.0453 ± .0010] WITH 0.02-0.08 [.001-.003] COPPER AND 0.008 [.0003] MINIMUM TIN-LEAD PLATING. FINISHED HOLE AFTER PLATING IS $\phi 1.02 \pm 0.08$ [.040 ± .002].
- ⑤ TAIL LENGTH AFTER SEATED IN PC BOARD.
- ⑥ CONTACT POINT AFTER SEATED IN PC BOARD.
- ⑦ HOT-STAMPING ON THIS SIDE.
- ⑧ PART NUMBER AND DATE CODE HOT-STAMPED IN THIS APPROXIMATE AREA.



148452-5
PART NUMBER

THIS DRAWING IS A CONTROLLED DOCUMENT.		Dwn	T. SHUEY	1-15-98
DIMENSIONS:		CHK	-	-
TOLERANCES UNLESS OTHERWISE SPECIFIED:		APVD	-	-
mm	0 PLC ±	NAME	AMP Incorporated	
	1 PLC ±	PRODUCT SPEC	Harrisburg, PA 17105-3608	
	2 PLC ±0.13(.005)	APPLICATION SPEC	RCPT ASSY, ENHANCED EUROCARD, VME 64, 160 POSITION	
	3 PLC ±	SIZE	A1	00779
	4 PLC ±	CAGE CODE	C-148452	148452
	ANGLES	DRAWING NO	148452	
MATERIAL	FINISH	WEIGHT	-	
HOUSING: ①	CONTACT: ②	CUSTOMER DRAWING	SCALE	4:1
		SHEET	1	OF 1
		REV	B	

X-ON Electronics

Largest Supplier of Electrical and Electronic Components

Click to view similar products for [DIN 41612 Connectors](#) category:

Click to view products by [TE Connectivity](#) manufacturer:

Other Similar products are found below :

[004.767](#) [608489050008049](#) [691327-1](#) [74670-0732](#) [74680-0340](#) [75880-0015](#) [76453-0014](#) [86093159ALF](#) [9732967801](#) [QLC260R](#)
[120X10019X](#) [120X10089X](#) [122A10249X](#) [122A11089X](#) [122A13089X](#) [122A10089X](#) [122A10129X](#) [122A10349X](#) [122A13359X](#) [1377391-4](#)
[DIN-048CPC-SR1-MH](#) [1393583-2](#) [1393726-7](#) [140X10129X](#) [143-1913-000](#) [143-1908-000](#) [1484472-1](#) [2110070-1](#) [2110070-2](#) [CBC20T00-](#)
[008FDS5-0-1-002VR](#) [172699-5036](#) [2-1393557-4](#) [2-1437084-2](#) [394506](#) [419-2080-402](#) [V42254B2202C968](#) [419-2086-201](#) [419-2087-002](#)
[448657-1](#) [448847-3](#) [5-1393755-9](#) [02990000004](#) [054302](#) [043556](#) [09062483201750](#) [0850033067](#) [09031646555](#) [09061486901840](#)
[09185107324800](#) [102A10019X](#)