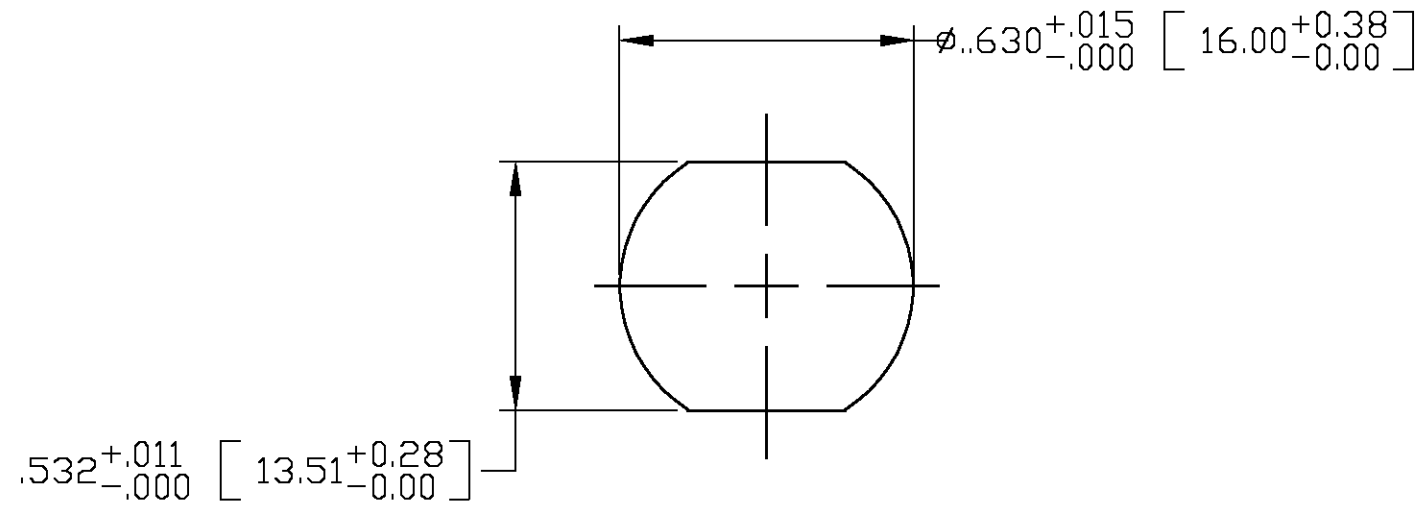
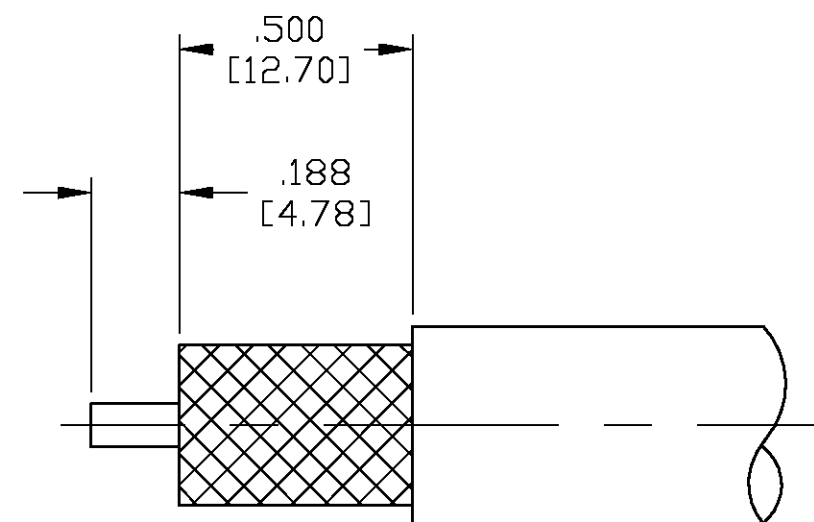
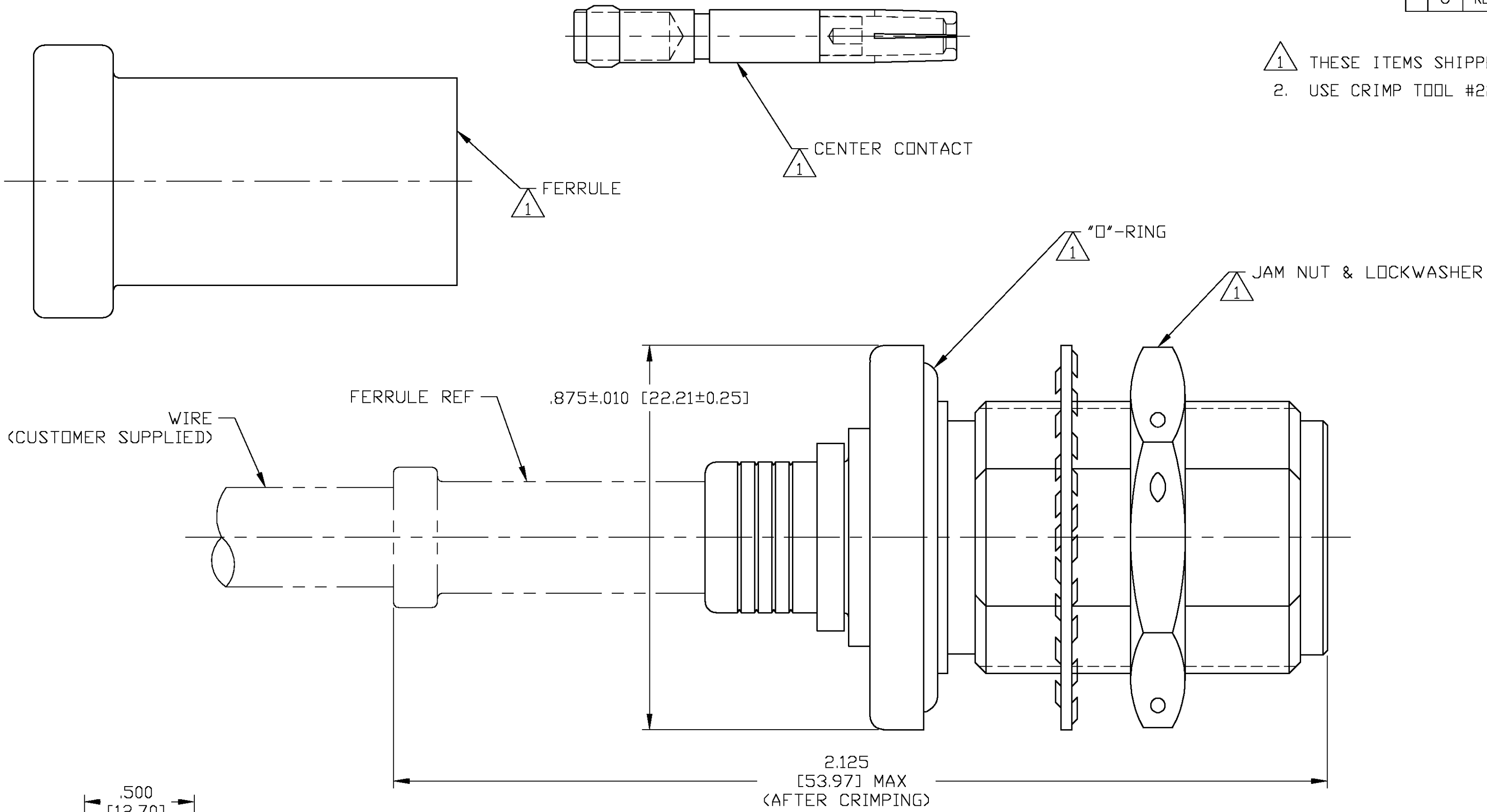


THIS DRAWING IS UNPUBLISHED. RELEASED FOR PUBLICATION
 © COPYRIGHT BY TYCO ELECTRONICS CORPORATION. ALL RIGHTS RESERVED.

LOC	DIST	REVISIONS					
DF	XO	P	LTR	DESCRIPTION	DATE	DWN	APVD
		0		RELEASED	4-03	CT	RG

- 1. THESE ITEMS SHIPPED WITH CONNECTOR UNASSEMBLED.
- 2. USE CRIMP TOOL #220015-1.



RECOMMENDED STRIP LENGTH
SCALE 2:1

RECOMMENDED PANEL CUTOUT
SCALE 2:1

RG-393/U	1484574-1
CABLE SIZE	PART NO.

THIS DRAWING IS A CONTROLLED DOCUMENT.		DWN	C.C.THOMAS	07APR03	tyco Electronics	Tyco Electronics Corporation Harrisburg, PA 17105	
DIMENSIONS: INCHES [mm]		CHK	R.GROSS	4-8-03		NAME BULKHEAD JACK, SERIES N	
TOLERANCES UNLESS OTHERWISE SPECIFIED:		APVD	R.GROSS	4-8-03	APPLICATION SPEC		
0 PLC	± -	PRODUCT SPEC		408-2028-3		RESTRICTED TO	
1 PLC	± -	WEIGHT		A2 00779		SCALE 5:1	
2 PLC	± -	CUSTOMER DRAWING		SHEET 1 OF 1		REV 0	
3 PLC	± .016 [4.06]						
4 PLC	± -						
ANGLES	± -						
FINISH	-						

X-ON Electronics

Largest Supplier of Electrical and Electronic Components

Click to view similar products for [RF Connectors](#) / [Coaxial Connectors](#) category:

Click to view products by [TE Connectivity](#) manufacturer:

Other Similar products are found below :

[R125315120](#) [8915-1511-000](#) [89674-0827](#) [5916-1103-603](#) [0106-001-000](#) [6-0001-3](#) [6001-7071-019](#) [6002-7051-003](#) [6002-7551-202](#) [6059674-1](#) [619550-1](#) [630059-000](#) [M39012/25-0021](#) [M39012/79-3008](#) [M39030/3-01N](#) [M39030/3-03N](#) [M3933/25-29N](#) [M3933/25-36N](#) [6500-7071-046](#) [6501-1071-002](#) [M83723/72W24576](#) [M83723/72W2457N](#) [6769](#) [CX050L2AQ](#) [7002-1541-010](#) [7003-1572-002](#) [7004-1512-000](#) [7009-1511-004](#) [7010-1511-000](#) [7029-1511-060](#) [7101-1541-010](#) [7101-1571-002](#) [7105-1521-002](#) [7145-1521-002](#) [7209-1511-011](#) [7210-1511-012](#) [7210-1511-015](#) [7210-1511-019](#) [7210-1511-040](#) [7225-1512-050](#) [7242-1511-000](#) [73137-5015](#) [73216-2241](#) [73251-0111](#) [73251-0672](#) [73276-1501](#) [73366-0013](#) [73404-2300](#) [73413-6080](#) [734151610](#)