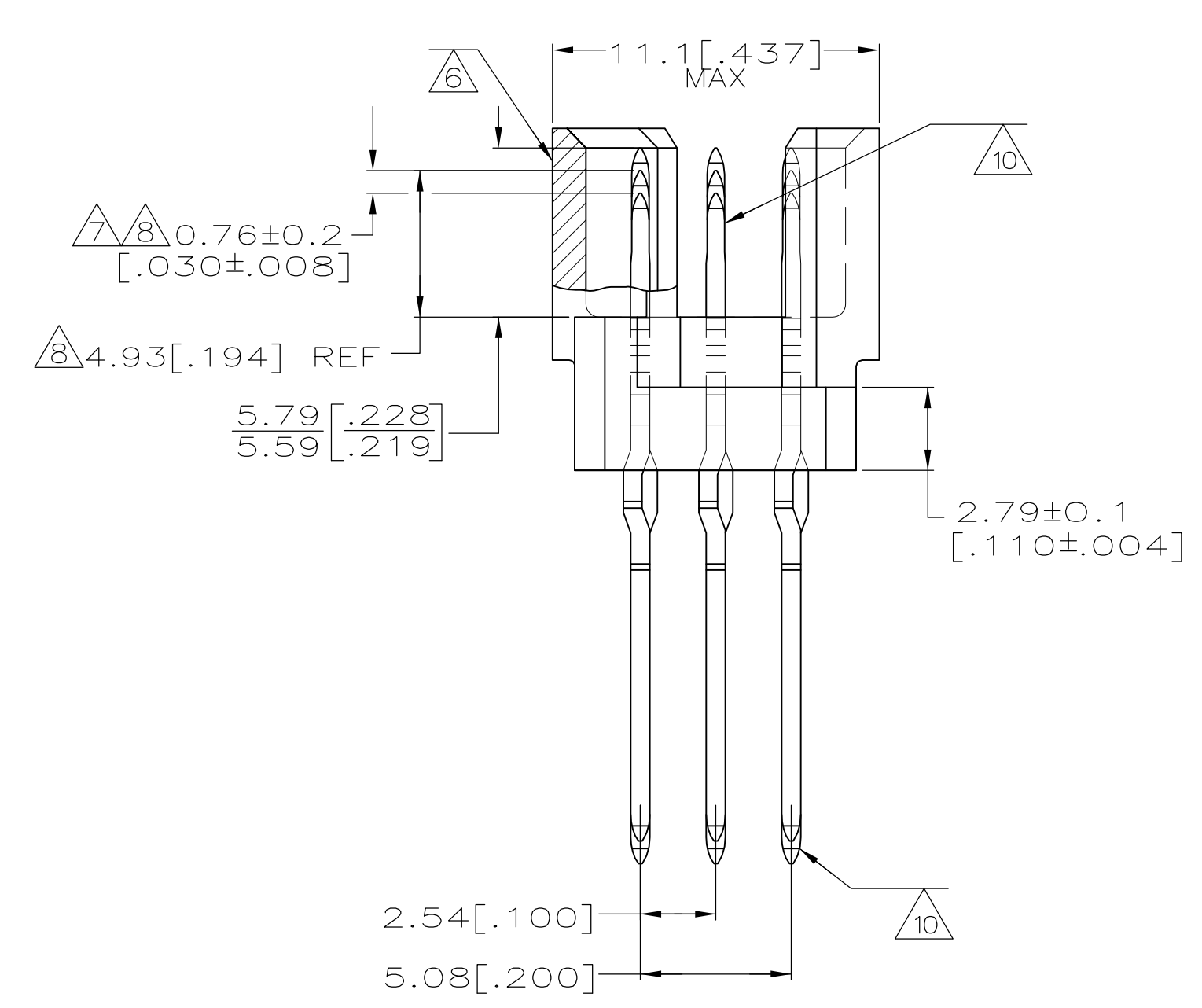


- 1 HOUSING MATERIAL: GLASS-FILLED POLYESTER. COLOR: GRAY.
- 2 POST MATERIAL: PHOSPHOR BRONZE.
- 4 PC BOARD HOLES REQUIRED FOR ACTION PIN CONTACTS ARE 1.151 [.0453] DRILL DIAMETER PLATED THROUGH WITH 0.02-0.08 [.001-.003] COPPER AND 0.008 [.0003] MINIMUM TIN-LEAD PLATING. FINISHED HOLE AFTER PLATING, 0.94-1.09 [.037-.043] DIAMETER.
- 5 [PART NUMBER, DATE CODE] MARKED THIS APPROXIMATE AREA.
- 6 MARKING ON THIS SIDE.
- 7 FOR "MFBL" APPLICATIONS, A 2.36 [.093] MINIMUM THICK PC BOARD IS REQUIRED. PROGRAMMABLE SEATING TOOL 768216-4 MUST BE USED.
- 8 TO BE 4.16 [.164] REF FOR LAST MAKE PINS AFTER SEATING. POST LENGTH DIFFERENCE BETWEEN SHORT AND LONG PINS TO BE 0.76 ± 0.2 [.030 ± .008] AFTER SEATING.
- 9 THIS DIMENSION WILL BE 13.23 ± 0.51 [.521 ± .020] AFTER SEATING FOR PINS WITH 4.17 [.164] REF MATING POST.
- 10 POST FINISH: DIN 41612 CLASS 2 IN CONTACT AREA AND LOWER 5.08 [.200] OF TAILS. GOLD FLASH ON REMAINDER.
- 11 FOR 1.57 [.062] THICK PC BOARD APPLICATIONS, USE SEATING TOOL 768211-4. PROGRAMMABLE SEATING TOOL 768216-4 WITH PUSH PINS FOR MAKE FIRST CONTACTS ONLY, CAN ALSO BE USED.
- 12 THE 5.69 [.224] LONG MAKE FIRST POSTS EXCEED THE ALIGNMENT CAPABILITY OF THE HOUSING AND COULD POSSIBLY STUB DURING MATING. CUSTOMERS MUST TAKE THIS INTO CONSIDERATION IN CARD CAGE DESIGN.



5,11,14,17,43	1-4,6-10,12,13,15,16,18-42,44-47, 50	C	48	148482-4
5,11,14,17,43	1-4,6-10,12,13,15,16,18-42,44-47, 50	B	48	
5,11,14,17,43	1-4,6-10,12,13,15,16,18-42,44-47, 50	A	48	148482-2
5,11,14,17,43	1-4,6-10,12,13,15,16,18-42,44-50	C	50	
5,11,14,17,43	1-4,6-10,12,13,15,16,18-42,44-50	B	50	148482-1
17,43,45,47	1-16,18-42,44,46,48-50	C	50	
17,43,45,47	1-16,18-42,44,46,48-50	B	50	148482-1
17,43,45,47	1-16,18-42,44,46,48-50	A	50	
POSITIONS LOADED WITH 5.69 [.224] CONTACTS	POSITIONS LOADED WITH 4.16 [.194] / 4.93 [.194] CONTACTS	ROWS	NO OF LOADED POSN	PART NUMBER

THIS DRAWING IS A CONTROLLED DOCUMENT.

DIMENSIONS: mm [INCHES]	TOLERANCES UNLESS OTHERWISE SPECIFIED:	DIN L. BRINER 4/3/98	APPROVED: C. RICHARD 4/3/98	NAME: PIN ASSEMBLY, EUROCARD, TYPE R WITH MFBL CONTACTS
0 PLC ± -	1 PLC ± -	2 PLC ± 0.13 [.005]	3 PLC ± -	4 PLC ± -
MATERIAL	FINISH	SIZE: A1	CAGE CODE: 00779	DRAWING NO: 148482
CUSTOMER DRAWING		SCALE: 5:1	SHEET: 1 OF 1	REV: D1

Tyco Electronics Corporation  
 Harrisburg, PA 17105-3608

## X-ON Electronics

Largest Supplier of Electrical and Electronic Components

*Click to view similar products for [DIN 41612 Connectors](#) category:*

*Click to view products by [TE Connectivity](#) manufacturer:*

Other Similar products are found below :

[09231126901](#) [PCN10F-24P-2.54DS\(72\)](#) [004.767](#) [02221602702](#) [024069](#) [602427301412000](#) [013275](#) [691327-1](#) [74670-0732](#) [74680-0340](#)  
[75880-0015](#) [76453-0014](#) [86093159ALF](#) [923454](#) [QLC260R](#) [120X10099X](#) [120X10019X](#) [120X10089X](#) [120X10129X](#) [121A10039X](#)  
[121A10309X](#) [122A10019X](#) [122A10029X](#) [122A10249X](#) [122A10669X](#) [122A11089X](#) [122A13089X](#) [121B10409X](#) [122A10089X](#)  
[122A10129X](#) [122A10349X](#) [122A13359X](#) [1377391-4](#) [DIN-048CPC-SR1-MH](#) [1393583-2](#) [1393726-7](#) [140X10059X](#) [140X10129X](#) [143-1913-](#)  
[000](#) [143-1908-000](#) [1484472-1](#) [173052](#) [2110070-1](#) [2110070-2](#) [CBC20T00-008FDS5-0-1-002VR](#) [983-0SE12-12P6](#) [17041102202](#) [172699-](#)  
[5036](#) [173051](#) [20](#) [8457096](#) [010](#) [025](#)