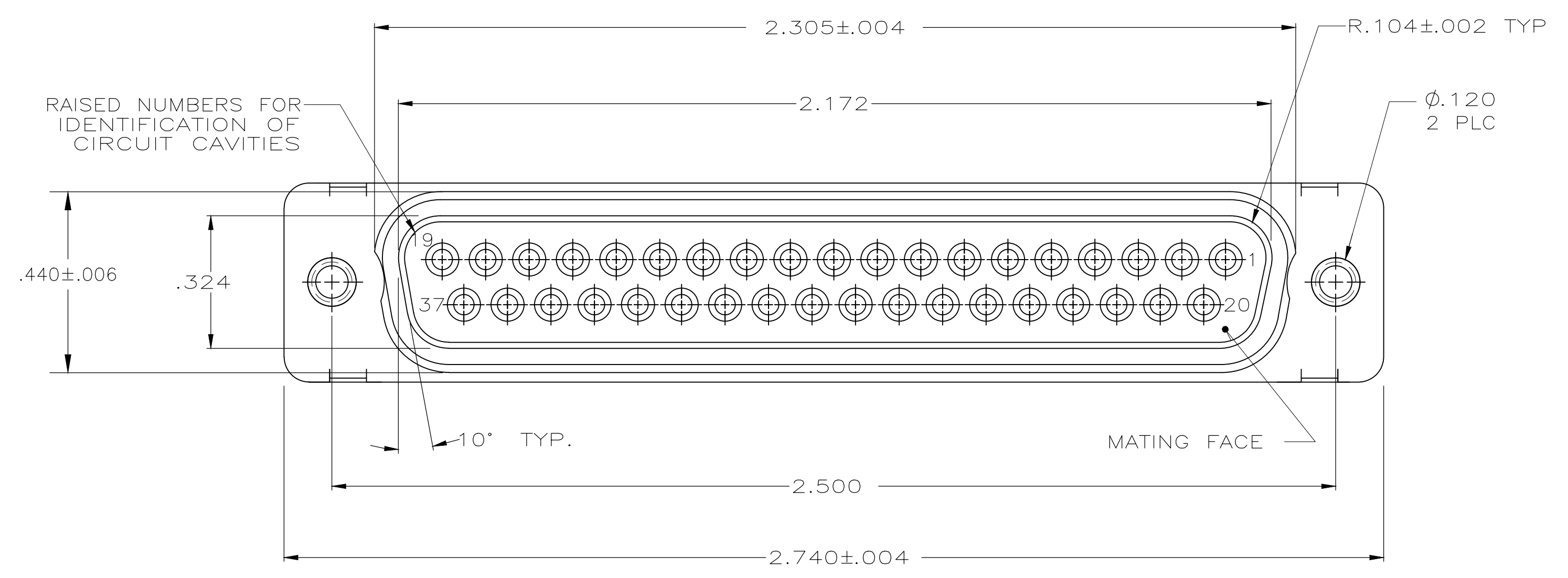
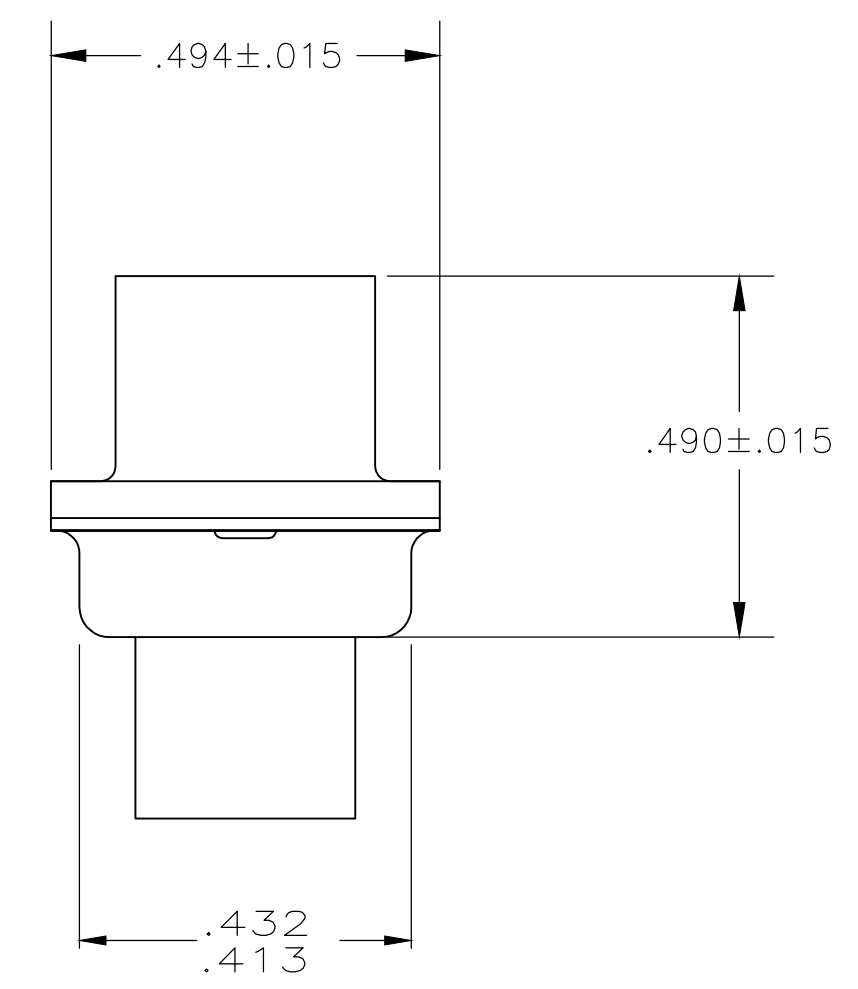
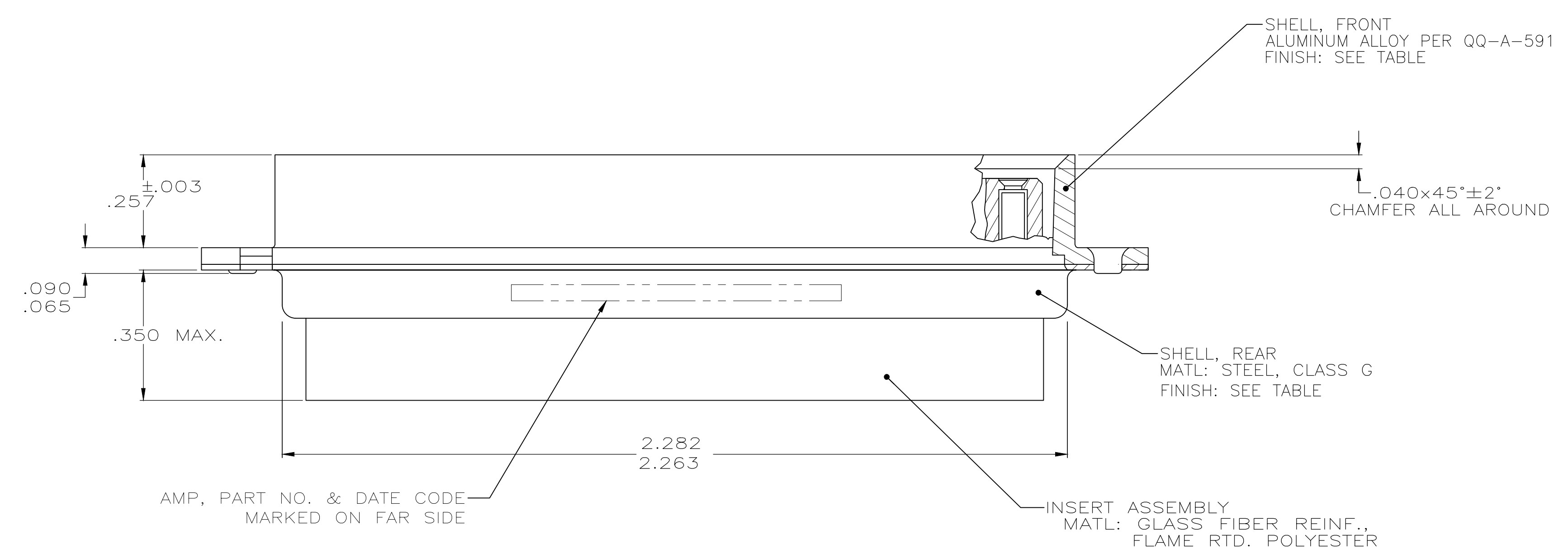


REVISIONS					
P	LTR	DESCRIPTION	DATE	DMN	APVD
C		REV PER ECO 20-010720	10-16-20	CT	DM



1. MAXIMUM WIRE INSULATION TO BE USED WITH THIS PLUG IS .068 DIA.
2. SST RETENTION CLIPS ARE INCLUDED IN INSERTS.
3. THIS PLUG WILL ACCEPT SIZE 20 SOCKET CONTACT M39029/63-368 OR AMP PART NUMBER 205090-1.
4. FINISH: CADMIUM PER QQ-P-416; YELLOW CHROMATE.
5. FINISH: ZINC PLATED PER ASTM-B-633 .000200 MIN THK WITH SUPPLEMENTARY CHROMATE (Cr3+).



5	5-1484948-1
4	1484948-1
REMARKS	PART NUMBER

THIS DRAWING IS A CONTROLLED DOCUMENT.		DWG: C.C.THOMAS 8-28-02	TE Connectivity	
DIMENSIONS: INCHES		CHK: D.MILLER 8-28-02	NAME: PLUG ASSEMBLY,AMPLIMITE	
TOLERANCES UNLESS OTHERWISE SPECIFIED:		APP'D: D.MILLER 8-28-02	PRODUCT SPEC: 37 POSN,SIZE 4, SERIES 109	
0 PLC ± -		APPLICATION SPEC: -	BLINDMATE, REVERSE GENDER	
1 PLC ± -		SIZE: A1	CAGE CODE: 00779	DRAWING NO: 1484948
2 PLC ± -		WEIGHT: 0.000000	SCALE: 4:1	SHEET 1 OF 1
3 PLC ± .005		CUSTOMER DRAWING	REV: C	
4 PLC ± -				
ANGLES ± -				
FINISH: SEE CALLOUTS				

X-ON Electronics

Largest Supplier of Electrical and Electronic Components

Click to view similar products for [D-Sub Standard Connectors](#) category:

Click to view products by [TE Connectivity](#) manufacturer:

Other Similar products are found below :

[DCM37S732N](#) [DAM15P500](#) [DEV09S364GTLF](#) [DEM09P032N](#) [DDM50P732N](#) [DAM15S332N](#) [173109-2218](#) [173109-2466](#) [173109-2469](#)
[173109-2435](#) [56F706-005-LI](#) [56F711-015](#) [015-0341-000](#) [017041-0005](#) [012-9507-114](#) [012-9534-001](#) [609-25P](#) [M24308/2-23Z](#) [M243082310F](#)
[M24308/2-36Z](#) [M243082411F](#) [M24308315F](#) [M24308/4-21](#) [M243084437F](#) [CT0M22-23SS](#) [CT1N36-5SC](#) [CT2-16S-17PS](#) [CT2-20-15PCAU](#)
[CT2-24-12PS](#) [CT2-24-28PSF127A206](#) [CT6F9767-14-4-14S-5PC](#) [CT7-18-10SC](#) [CT7-18-10SCAU](#) [CT7-18-12SCAU](#) [CT7-18-1PC](#) [CT7-18-](#)
[1PCAU](#) [CT7-18-1SC](#) [CT7-18-21SCAU](#) [CT9-16-12PS](#) [M83513/01-FC](#) [M83723/76W24619 L/C](#) [M85049/48-3-2F](#) [69001-865](#)
[6STD09PCM99B70X](#) [6STD09SCM99B30X](#) [6STD09SCT99S40X](#) [6STD15PCT99S40X](#) [6STD15SCM99B30X](#) [6STD15SCT99S40X](#)
[6STF09PCM05B70X](#)