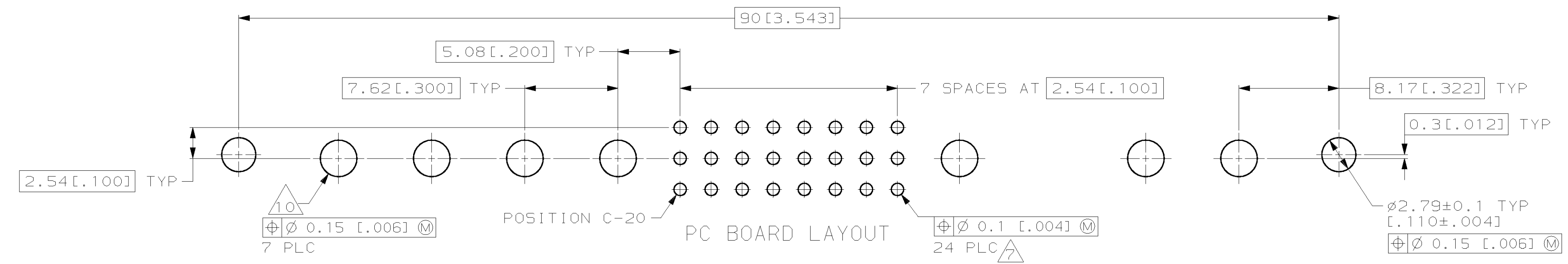
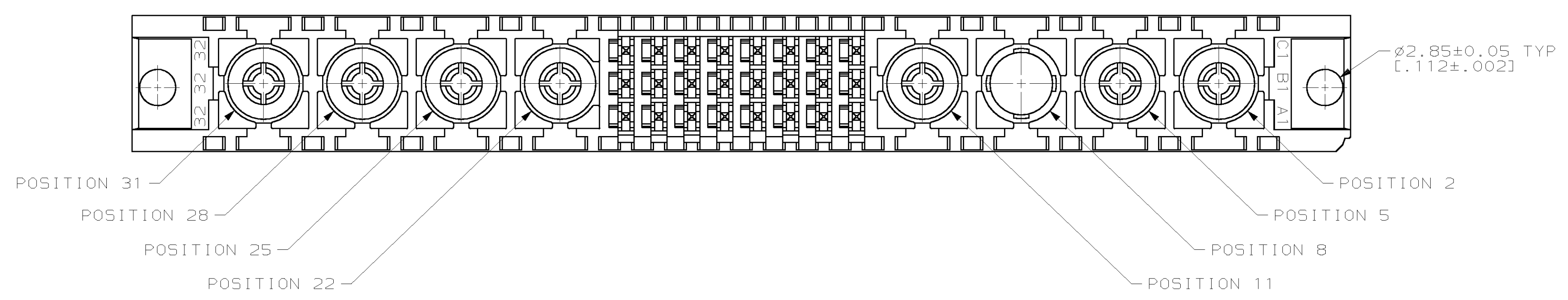
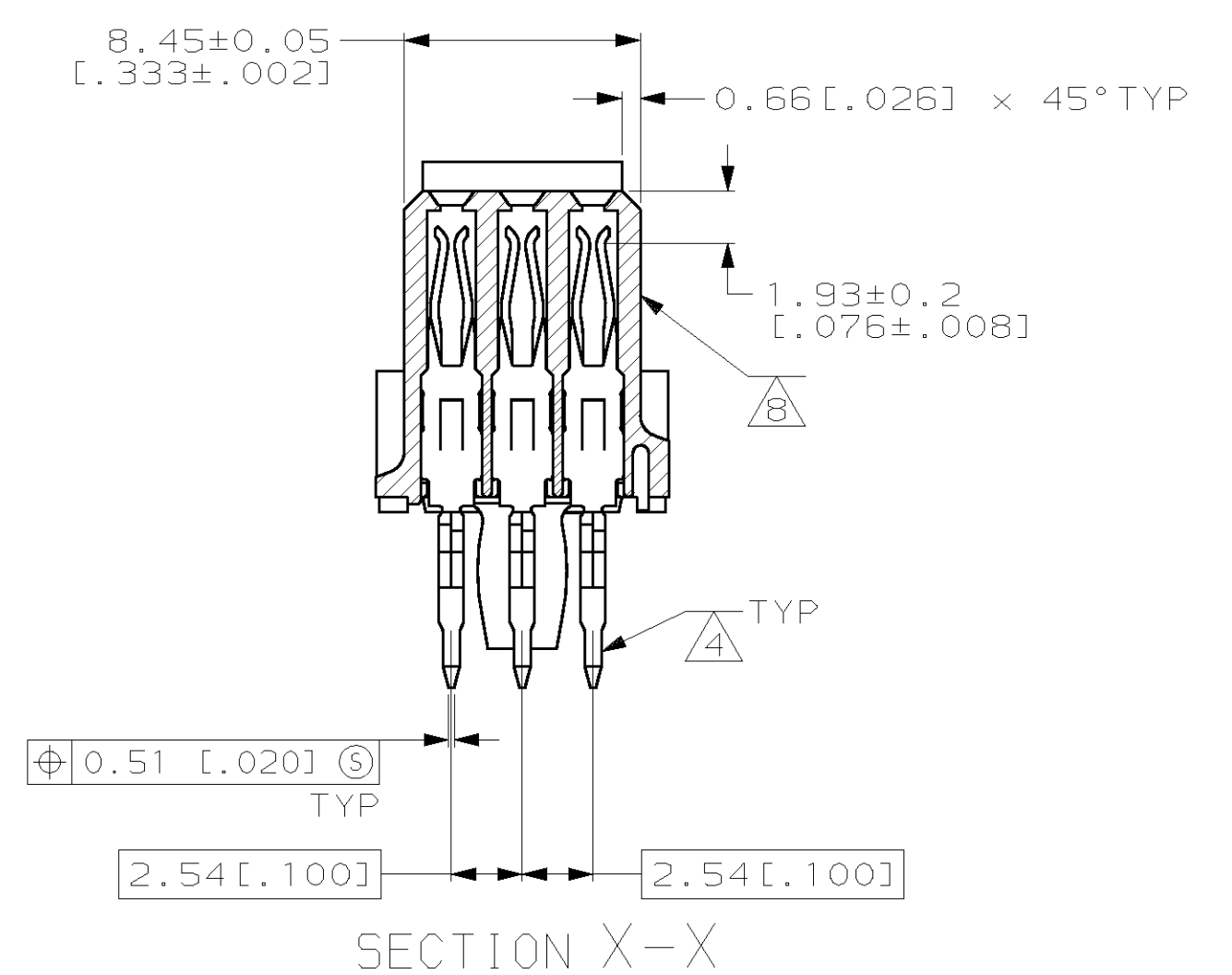
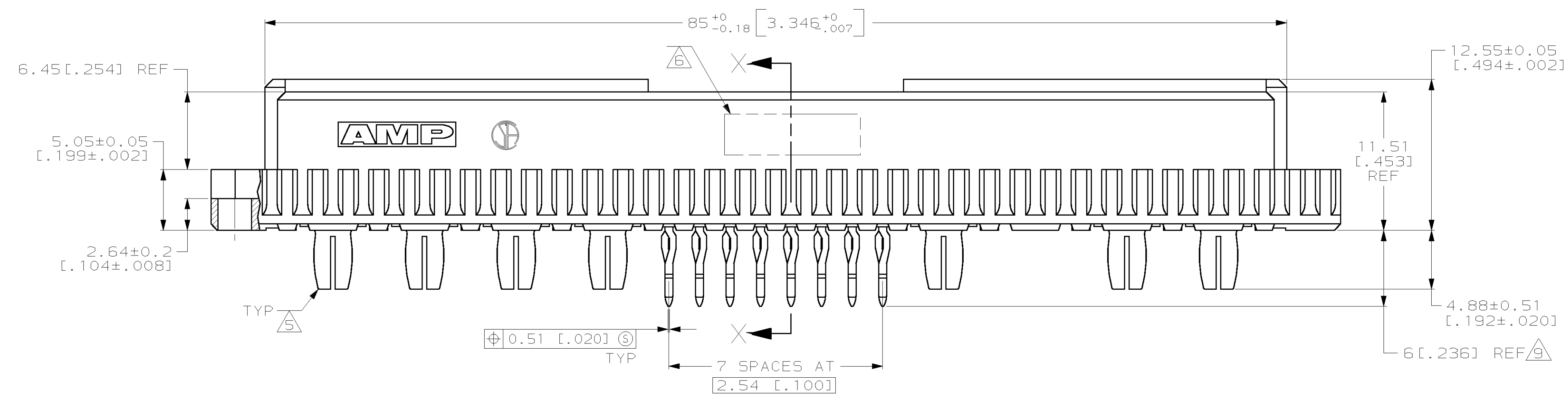
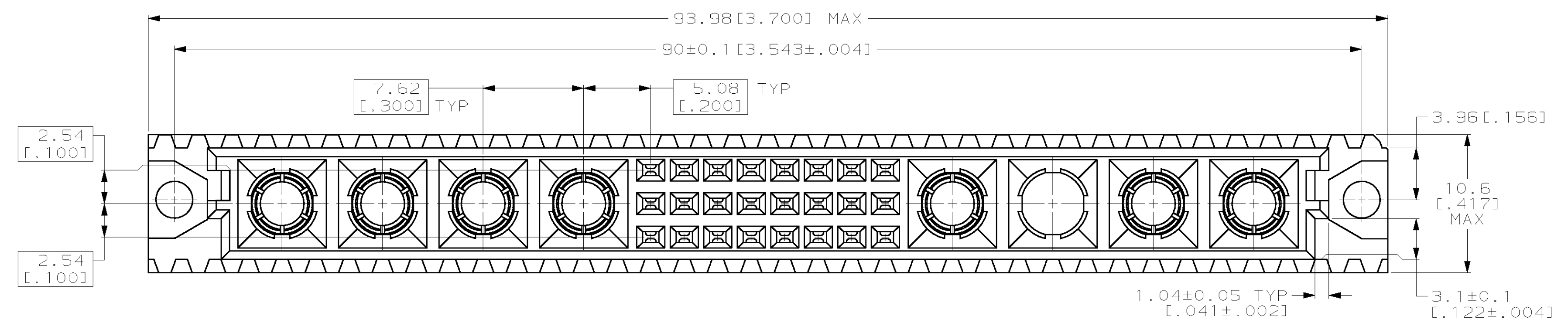


REVISONS		DATE	OWN	APVD
AD	25			
A	REV PER	0620-0348-98	16 JAN 99	BH L5B
B	REV PER	EC 0621-80-99	06 APR 99	BC CR

- 1 HOUSING MATERIAL: GLASS-FILLED POLYESTER. COLOR: GRAY.
- 2 CONTACT MATERIAL: PHOSPHOR BRONZE.
- 3 POWER CONTACT MATERIAL: BERYLLIUM COPPER.
- 4 CONTACT FINISH: DIN 41612 CLASS 2 IN CONTACT AREA. TIN-LEAD PLATE ON POSTS.
- 5 POWER CONTACT FINISH: DIN 41612 CLASS 2 ALL OVER.
- 6 PART NUMBER AND DATE CODE HOT STAMPED IN THIS APPROXIMATE AREA.
- 7 ACTION PIN POSTS REQUIRE 2.36[.093] MINIMUM THICK PC BOARD. RECOMMENDED PC BOARD DRILLED HOLES ARE  $\phi 1.15 \pm 0.025$ [.0453 $\pm$ .0010] WITH 0.02-0.08[.001-.003] COPPER AND 0.008[.0003] MINIMUM TIN-LEAD PLATING. FINISHED HOLE AFTER PLATING IS  $\phi 1.02 \pm 0.08$ [.040 $\pm$ .003].
- 8 HOT STAMPING ON THIS SIDE.
- 9 TAIL LENGTH AFTER SEATING IN PC BOARD.
- 10 POWER CONTACTS REQUIRE  $\phi 3.13 \pm 0.08$ [.123 $\pm$ .003] DRILLED HOLE WITH 0.05 $\pm$ 0.25[.002 $\pm$ .001] THICK COPPER AND 0.13[.005] MINIMUM TIN-LEAD PLATING. FINISHED HOLE SIZE IS  $\phi 3.0 \pm 0.08$ [.118 $\pm$ .003].



148497-5  
PART NUMBER

THIS DRAWING IS A CONTROLLED DOCUMENT.		DWN: L. BRINER 9/1/98	AMP Incorporated Harrisburg, PA 17105-3608
DIMENSIONS: mm (INCHES)		CHK: R. PATTERSON 9/1/98	
TOLERANCES UNLESS OTHERWISE SPECIFIED:		APVD: R. PATTERSON 9/1/98	NAME: RECEPTACLE ASSEMBLY, EUROCARD, PRESS FIT, TYPE M, 24 + 8 POSITIONS
0 PLC ± 1 PLC ± 2 PLC ±0.13(.005) 3 PLC ± 4 PLC ±		PRODUCT SPEC: -	APPLICATION SPEC: -
MATERIAL: HSG: △	POWER CONT: △	FINISH: -	WEIGHT: -
CONT: △		CONT: △	CONT: △
CUSTOMER DRAWING		SCALE: 4:1	SHEET: 1 OF 1

## X-ON Electronics

Largest Supplier of Electrical and Electronic Components

*Click to view similar products for [DIN 41612 Connectors](#) category:*

*Click to view products by [TE Connectivity](#) manufacturer:*

Other Similar products are found below :

[004.767](#) [608489050008049](#) [691327-1](#) [74670-0732](#) [74680-0340](#) [75880-0015](#) [76453-0014](#) [86093159ALF](#) [9732967801](#) [QLC260R](#)  
[120X10019X](#) [120X10089X](#) [122A10249X](#) [122A11089X](#) [122A13089X](#) [122A10089X](#) [122A10129X](#) [122A10349X](#) [122A13359X](#) [1377391-4](#)  
[DIN-048CPC-SR1-MH](#) [1393583-2](#) [1393726-7](#) [140X10129X](#) [143-1913-000](#) [143-1908-000](#) [1484472-1](#) [2110070-1](#) [2110070-2](#) [CBC20T00-](#)  
[008FDS5-0-1-002VR](#) [172699-5036](#) [2-1393557-4](#) [2-1437084-2](#) [394506](#) [419-2080-402](#) [419-2085-302](#) [V42254B2202C968](#) [419-2086-201](#) [419-](#)  
[2087-002](#) [448657-1](#) [448847-3](#) [5-1393755-9](#) [02990000004](#) [033020](#) [054302](#) [043556](#) [0760557108](#) [09062483201750](#) [0850033067](#)  
[09031646555](#)