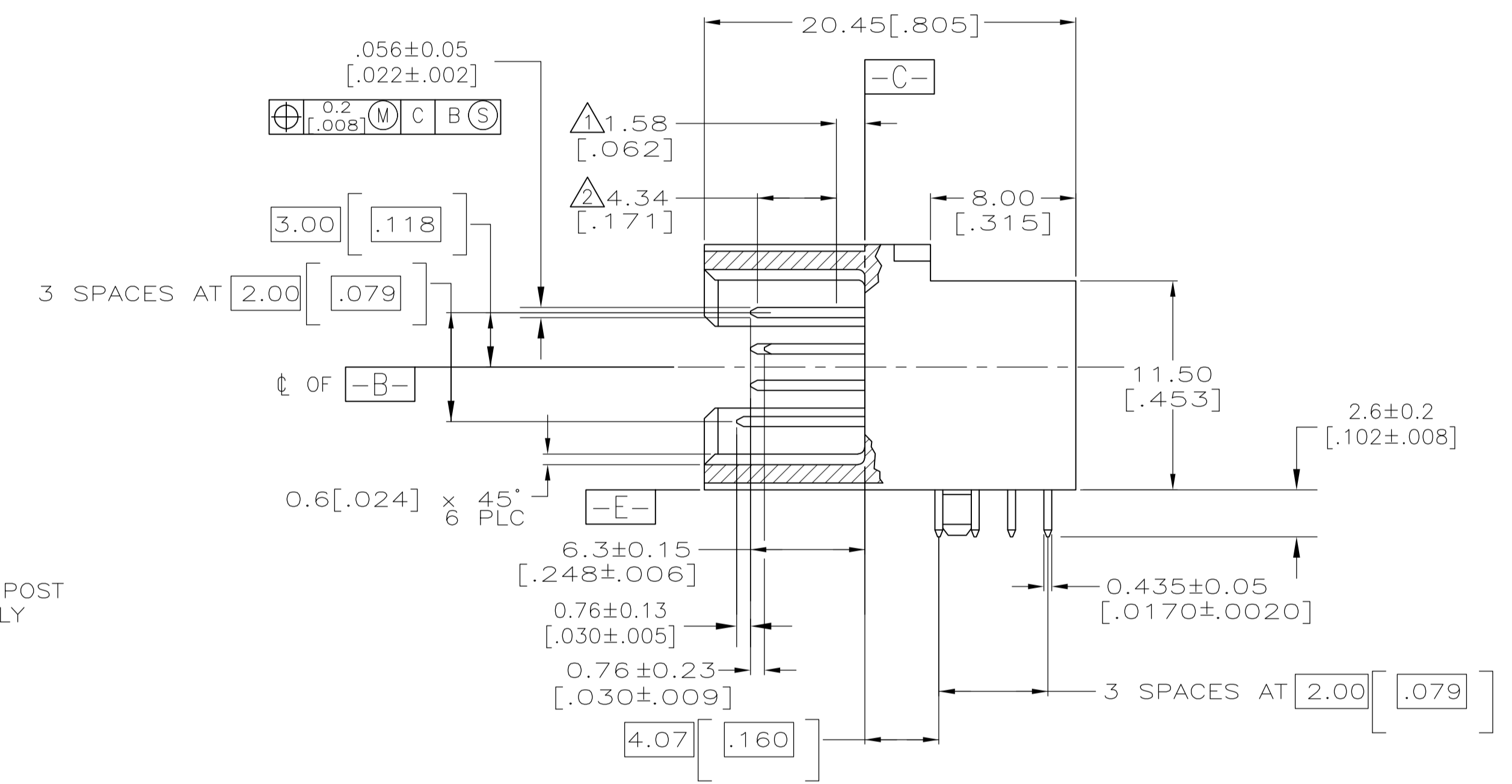
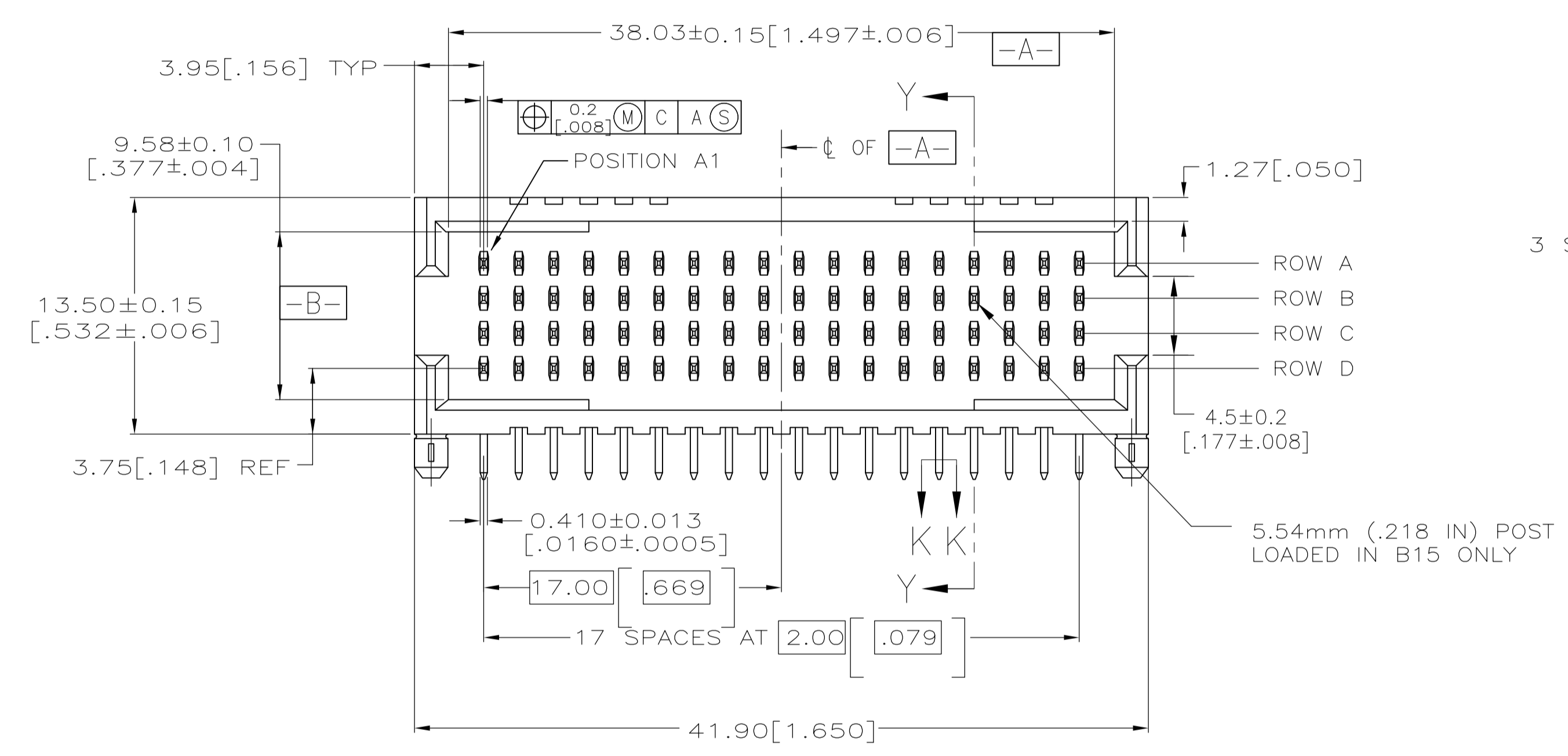
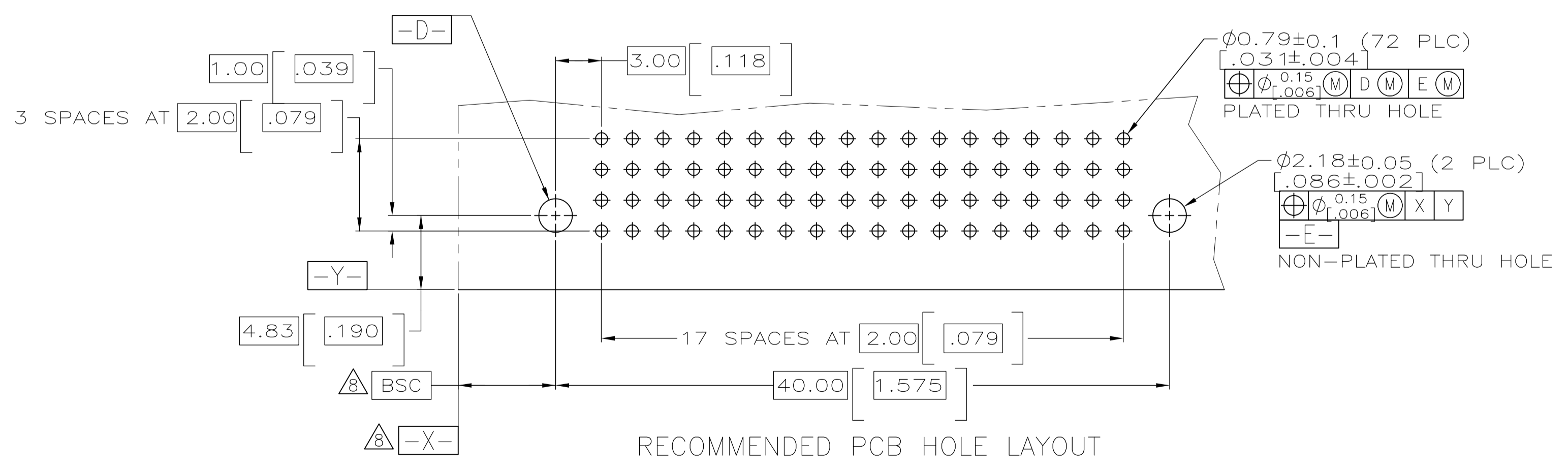


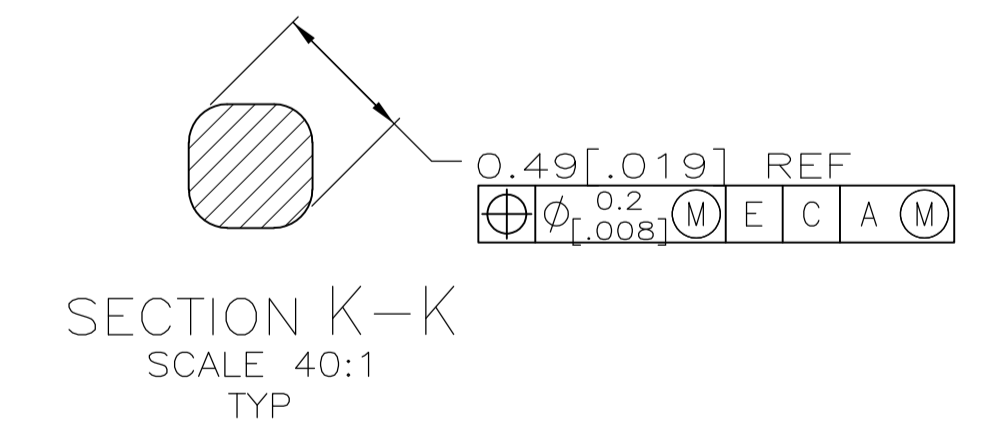
- △ DISTANCE TO INTERFACE; REFERENCE ONLY.
- △ NOMINAL WIPE EXCLUDING POST TIP; REFERENCE ONLY.
- △ HOUSING MATERIAL: LIQUID CRYSTAL POLYMER. COLOR: BLACK.
- △ CONTACT MATERIAL: PHOSPHOR BRONZE.
- △ CONTACT FINISH: 0.00076 [0.000030] MINIMUM GOLD OVER 0.00127 [0.000050] MINIMUM NICKEL IN CONTACT AREA. 0.00381 [0.000151] MINIMUM TIN ON SOLDER TAILS.
- △ MARKED WITH THE PART NUMBER & DATE CODE IN APPROXIMATE AREA SHOWN.



SECTION Y-Y



RECOMMENDED PCB HOLE LAYOUT



SECTION K-K
SCALE 40:1
TYP

NONE	NONE	1-18	D	18	148510-1
NONE	1-18	NONE	C	18	
15	1-14, 16-18	NONE	B	18	
NONE	1-18	NONE	A	18	
POSITIONS LOADED WITH 5.54 [0.218] POST	POSITIONS LOADED WITH 6.30 [0.248] POST	POSITIONS LOADED WITH 7.06 [0.278] POST	ROWS	NO. OF LOADED POSITIONS	PART NUMBER

THIS DRAWING IS A CONTROLLED DOCUMENT.

DIMENSIONS: mm	TOLERANCES UNLESS OTHERWISE SPECIFIED:	DWN T. SHUEY 10-5-98	Tyco Electronics Corporation Harrisburg, Pa 17105-3608
0 PLC ± - 1 PLC ± - 2 PLC ± 0.13 [0.005] 3 PLC ± - 4 PLC ± - ANGLES ± ° FINISH	0.2 [0.008] M C B S 0.2 [0.008] M C A S 0.15 [0.006] M D M E M 0.15 [0.006] M X Y -E-	CHK R. PATTERSON 10-7-98 APD R. PATTERSON 10-7-98 NAME R. PATTERSON PRODUCT SPEC APPLICATION SPEC WEIGHT CUSTOMER DRAWING	

APPLICATION SPEC: Z-PACK, 2mm RS, R/A PIN HEADER ASSEMBLY, SEQUENCED MATING POSTS

X-ON Electronics

Largest Supplier of Electrical and Electronic Components

Click to view similar products for [Hard Metric Connectors](#) category:

Click to view products by [TE Connectivity](#) manufacturer:

Other Similar products are found below :

[10146110-VR5C](#) [6345127-1](#) [646916-9](#) [6469658-1](#) [853016](#) [973108](#) [1-2000713-0](#) [1-2000713-2](#) [1-2000713-3](#) [120646-1](#) [134187](#) [1645343-1](#)
[1645456-1](#) [1645564-3](#) [1645594-1](#) [1645601-1](#) [1934822-1](#) [2000829-2](#) [2000985-2](#) [223085-1](#) [278071110010833](#) [1645179-1](#) [1645245-1](#)
[1645457-1](#) [1645525-1](#) [1645570-1](#) [1645596-1](#) [17-8072-125-000-863+](#) [1857470-1](#) [1934275-1](#) [1934289-1](#) [1934759-1](#) [2000670-2](#) [2000673-1](#)
[2000843-2](#) [2000984-2](#) [204975](#) [2170292-2](#) [2-536642-6](#) [3-100668-0](#) [3-106015-1](#) [352188-1](#) [352629-1](#) [3-646346-0](#) [3-646356-0](#) [3-646457-0](#) [3-646529-0](#) [3-646530-0](#) [5120823-1](#) [5120899-1](#)