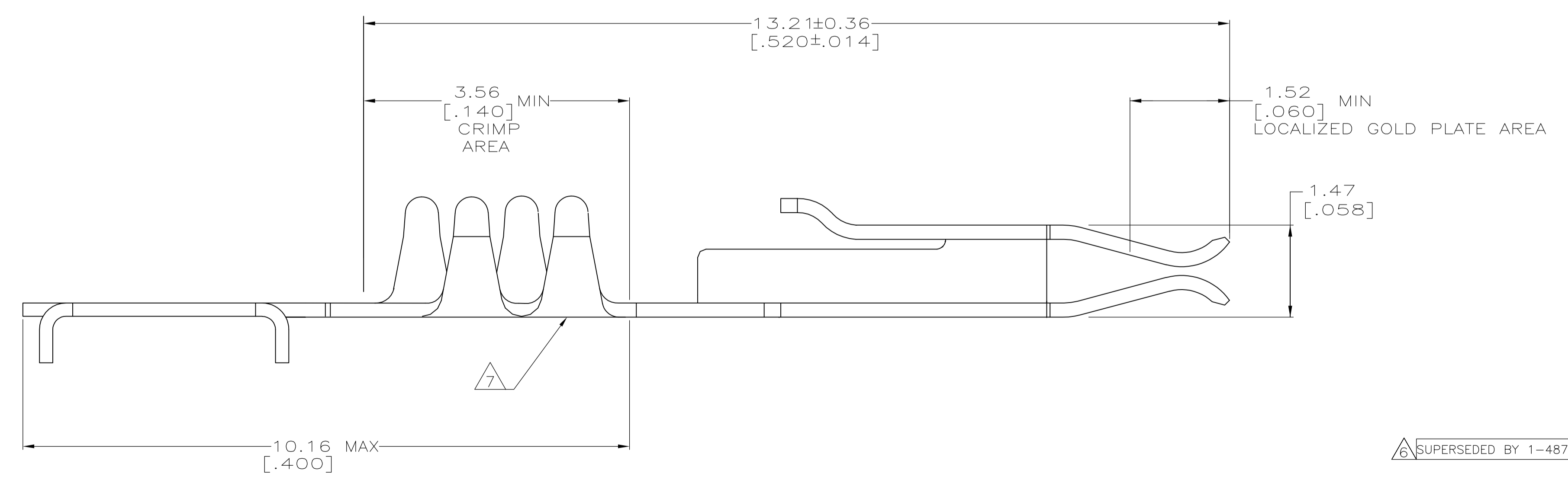
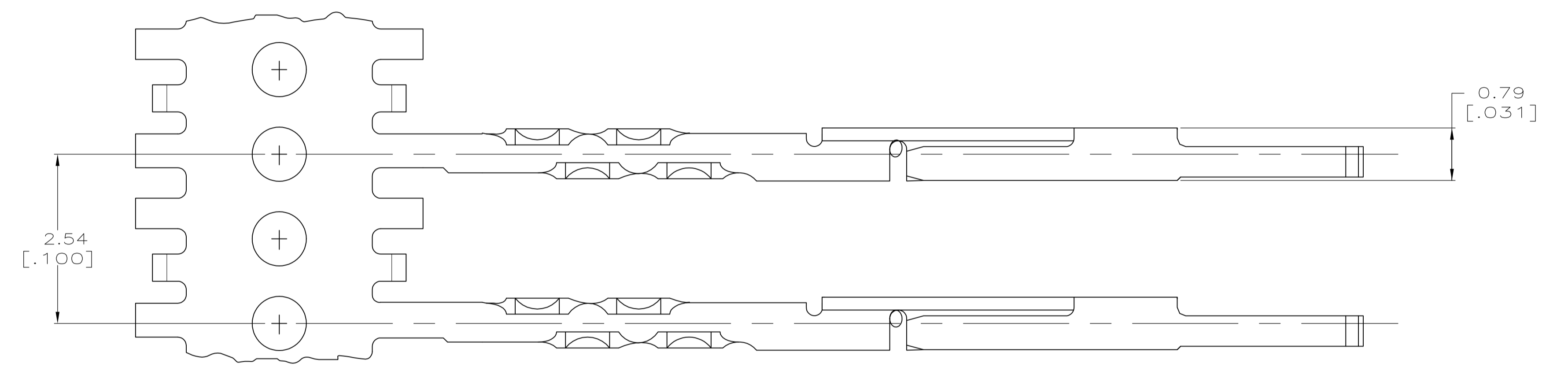
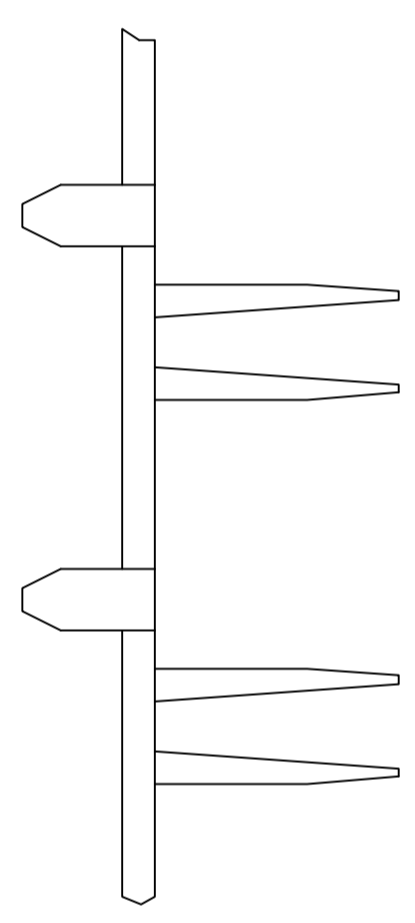


LOC		DIST		REVISIONS			
GP	00	REV	DATE	BY	CHK	APPV	
R	REVISED PER ECO-11-006941		28JUL2011	CJV	CWR		

- ⚠ 0.76μm[.000030] MIN GOLD ON LOCALIZED GOLD PLATE AREA, 2.54μm[.000100] MIN TIN-LEAD ON CRIMP AREA, BOTH OVER 1.27μm[.000050] MIN NICKEL ON ENTIRE CONTACT,
-OR-
GOLD FLASH OVER PALLADIUM-NICKEL, 0.76μm[.000030] MIN TOTAL THK ON LOCALIZED GOLD PLATE AREA, 2.54μm[.000100] MIN TIN-LEAD ON CRIMP AREA, BOTH OVER 1.27μm[.000050] MIN THK NICKEL UNDERPLATE ON ENTIRE CONTACT.
- ⚠ 0.38μm[.000015] MIN GOLD ON LOCALIZED GOLD PLATE AREA, 2.54μm[.000100] MIN TIN-LEAD ON CRIMP AREA, BOTH OVER 1.27μm[.000050] MIN NICKEL ON ENTIRE CONTACT,
-OR-
GOLD FLASH OVER PALLADIUM-NICKEL, 0.38μm[.000015] MIN TOTAL THK ON LOCALIZED GOLD PLATE AREA, 2.54μm[.000100] MIN TIN-LEAD ON CRIMP AREA, BOTH OVER 1.27μm[.000050] MIN THK NICKEL UNDERPLATE ON ENTIRE CONTACT.
- 3. ACCEPTS 0.38±0.03[.015±.001] SQUARE POST, 3.18-8.89[.125-.350] LONG.
- ⚠ 0.76μm[.000030] MIN GOLD ON LOCALIZED GOLD PLATE AREA, GOLD FLASH IN CRIMP AREA, BOTH OVER 1.27μm[.000050] MIN NICKEL ON ENTIRE CONTACT,
-OR-
GOLD FLASH OVER PALLADIUM-NICKEL, 0.76μm[.000030] MIN TOTAL THK ON LOCALIZED GOLD PLATE AREA, GOLD FLASH IN CRIMP AREA, BOTH OVER 1.27μm[.000050] MIN THK NICKEL UNDERPLATE ON ENTIRE CONTACT.
- ⚠ 0.38μm[.000015] MIN GOLD ON LOCALIZED GOLD PLATE AREA, GOLD FLASH IN CRIMP AREA, BOTH OVER 1.27μm[.000050] MIN NICKEL ON ENTIRE CONTACT,
-OR-
GOLD FLASH OVER PALLADIUM-NICKEL, 0.38μm[.000015] MIN TOTAL THK ON LOCALIZED GOLD PLATE AREA, GOLD FLASH IN CRIMP AREA, BOTH OVER 1.27μm[.000050] MIN THK NICKEL UNDERPLATE ON ENTIRE CONTACT.
- ⚠ OBSOLETE PARTS: OBSOLETE CIS STREAMLINING PER D.RENAUD/D.SINISI
- ⚠ GOLD PLATING MAY OR MAY NOT BE PRESENT ON BOTTOM OF THE CRIMP BARREL.



7	5	1-487547-2
7	4	1-487547-1
2	1	487547-9
1	1	487547-1
FINISH		PART NUMBER

⚠ SUPERSEDED BY 1-487547-2

THIS DRAWING IS A CONTROLLED DOCUMENT.		DIN L.SIPE 05/05/92	TE Connectivity	
DIMENSIONS: mm [INCHES]		CHK R.STONE 5-13-92	CONTACT, RECEPTACLE, .050 C/L, FFC	
TOLERANCES UNLESS OTHERWISE SPECIFIED:		APVD	PRODUCT SPEC 108-16022	
0. PLC ± -		NAME	APPLICATION SPEC 114-16008	
1. PLC ± -		SIZE	A1	
2. PLC ± 0.13 [.005]		SCALE	20:1	
3. PLC ± 0.013 [.0005]		WEIGHT	SHEET 1 OF 1	
4. PLC ANGLES ± -		RESTRICTED TO	REV R	
MATERIAL 0.216 [.0085] THICK PHOSPHOR BRONZE		FINISH SEE TABLE	CUSTOMER DRAWING	

X-ON Electronics

Largest Supplier of Electrical and Electronic Components

Click to view similar products for [FFC & FPC Connectors](#) category:

Click to view products by [TE Connectivity](#) manufacturer:

Other Similar products are found below :

[FPH-1422G](#) [FPH-1602G](#) [K-FC20](#) [FH29B-80S-0.2SHW\(99\)](#) [FPH-2022G](#) [AYF332735](#) [52610-1075](#) [52610-1275](#) [52610-1934](#) [501864-3091-TR225](#) [086222026001800](#) [52610-0675](#) [62684-36210E9ALF](#) [52746-1671-TR250](#) [10051922-2810EHLF](#) [6-520415-9](#) [SFV6R-1STE9HLF](#) [XF3M-2915-1B-R100](#) [1658549-1](#) [AYF534065TA](#) [AYF351525](#) [086212040340800+](#) [67000-014LF](#) [67000-004LF](#) [006207341915000+](#) [DS1020-19RT1D](#) [67000-003LF](#) [67000-011LF](#) [67000-016LF](#) [HFW14R-2STE9LF](#) [SFV32R-2STBE9HLF](#) [SFW12R-5STE9LF](#) [SFW18R-1STAE9LF](#) [SFW4R-5STE9LF](#) [52807-0430](#) [046283021002868+](#) [THD1015-8CL-SN](#) [67000-006LF](#) [502250-8027](#) [104267-9617](#) [66987-011LF](#) [AYF362535](#) [F0501-T-50-20T-R](#) [F1003-ZV-12-25T-R](#) [HFW8S-2STAE1HLF](#) [67000-008LF](#) [67000-012LF](#) [ECC576069EU](#) [F1002-B-20-20T-R](#) [HFW15S-2STAE1HLF](#)