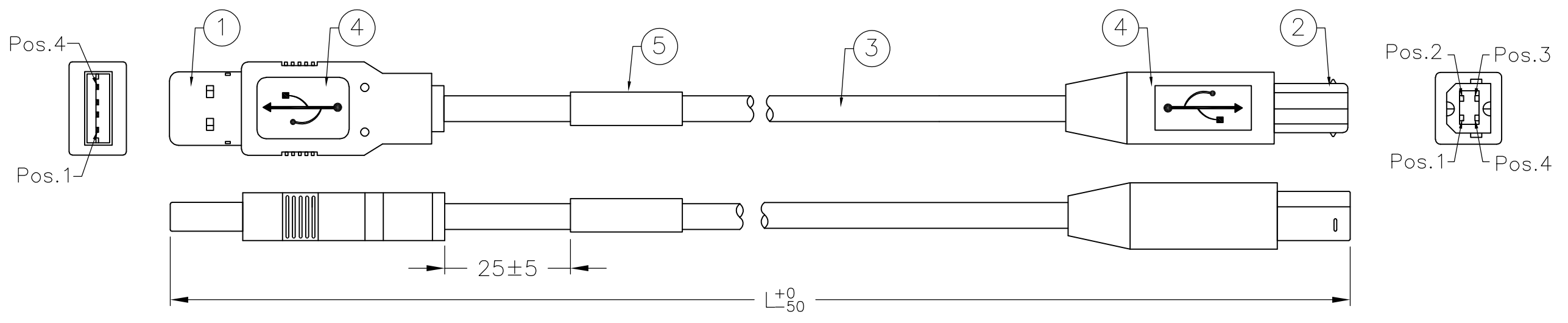


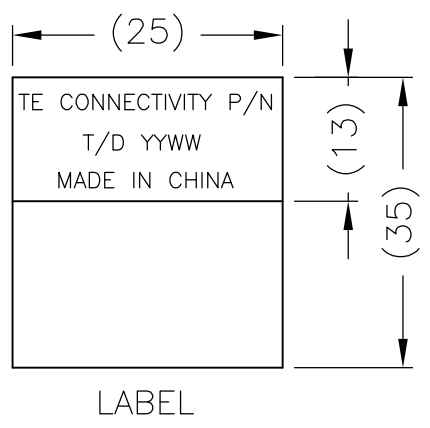
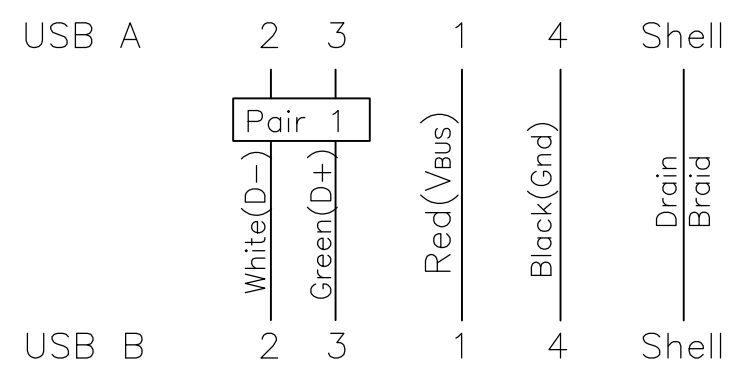
THIS DRAWING IS UNPUBLISHED. RELEASED FOR PUBLICATION
 © COPYRIGHT - By - ALL RIGHTS RESERVED.

| | | | | | |
|-----------|------------|---------------------------|-----------|-----|------|
| LOC GP | DIST 00 | REVISIONS | | | |
| P | LTR | DESCRIPTION | DATE | DWN | APVD |
| | D2 | REVISED PER ECO-14-001080 | 23Jan2014 | H.M | M.L |

Tooling Drawing NO.
 USB A: TR00662
 USB B: TR00664



PIN ASSIGNMENT :



| | | | | |
|-----------|-----------|-----------|-----------|-----------|
| PART NO. | 1487596-1 | 1487596-2 | 1487596-3 | 1487596-4 |
| LENGTH(L) | 2000 | 1500 | 1829 | 1000 |

| | | | | | | |
|----|----|----|----|-----|---|------|
| AR | AR | AR | AR | MR | COPPER FOIL, W: 5MM | 6 |
| 1 | 1 | 1 | 1 | PC | LABEL, 25x35mm, White 25x13mm | 5 |
| AR | AR | AR | AR | KG | Overmold PVC, 40P, Color: Black(BK01) | 4 |
| AR | AR | AR | AR | MR | USB 2.0 Cable 28AWG*1P+24AWG*2C+Al/Mylar +Drain+Braid, Color: Black(BK01). | 3 |
| 1 | 1 | 1 | 1 | EA | USB 4Pin Connector Contacts: Gold 30U Plated, Shell: Nickel Plated, Housing UL94V-0 B Type. | 2 |
| 1 | 1 | 1 | 1 | EA | USB 4Pin Connector Contacts: Gold 30U Plated, Shell: Nickel Plated, Housing UL94V-0 A Type. | 1 |
| -4 | -3 | -2 | -1 | U/M | DESCRIPTION | ITEM |

- NOTES:
- TESTED FOR CONTINUITY, SHORTS AND OPENS, HI-POT 630V FOR 10MS.
 - CABLE ASSEMBLY MEETS USB 2.0 STANDARDS.
 - EXPOSED CABLE BRAID IS NOT PERMISSIBLE BEYOND OVERMOLD.
 - THE FINAL CABLE ASSEMBLY MAXIMUM LENGTH NOT TO EXCEED 2700MM PER USB SPECIFICATIONS.
 - MEETS REQUIREMENTS OF EU DIRECTIVE 2002/95/EC

| | | | | | | |
|---|--------|------------------------------------|---|--------------------|-------------------------|---------------|
| THIS DRAWING IS A CONTROLLED DOCUMENT. | | DWN BOVEY LIU 25/FEB/02 | TE Connectivity NAME CABLE ASSEMBLY, USB A TYPE TO USB B TYPE | | | |
| DIMENSIONS: mm | | CHK - | | | | |
| TOLERANCES UNLESS OTHERWISE SPECIFIED: | | APVD F.D. McCORKEL 15/MAR/02 | PRODUCT SPEC | | | |
| 0 PLC ± - 1 PLC ± - 2 PLC ± - 3 PLC ± - 4 PLC ± - ANGLES ± - | | APPLICATION SPEC | - | | | |
| MATERIAL | FINISH | WEIGHT | SIZE A3 | CAGE CODE 00779 | DRAWING NO C-1487596 | RESTRICTED TO |
| - | | - | SCALE N.T.S | | SHEET 1 OF 1 | REV D2 |

X-ON Electronics

Largest Supplier of Electrical and Electronic Components

Click to view similar products for [USB Cables / IEEE 1394 Cables](#) category:

Click to view products by [TE Connectivity](#) manufacturer:

Other Similar products are found below :

[68768-0173](#) [FNY-W6003-01](#) [88764-0800](#) [148700-1](#) [17-200621](#) [17-250051P](#) [954](#) [17-200261](#) [AC102012-1](#) [AC102012-2](#) [FTP-629Y601](#) [45-1345-15](#) [45-1358-15](#) [45-1363-15](#) [IP-USB1\(C10\)S-RW](#) [CABLE/RTP/USB/DT](#) [45-1351-15](#) [45-1357-15](#) [45-1433-1](#) [687680278](#)
[USBFTVX2SA2N03A](#) [USBFTV2SA2N03A](#) [USBFTV2SA2N05A](#) [MDM9PH004B](#) [MDM9PH004P](#) [FTP-629Y401](#) [FTP-628Y302](#) [FTP-628Y402](#) [CSMNB9MF-5](#) [FNY-W6022](#) [UA-30AMF-SD7B03](#) [UA-30AMFM-SL7B03](#) [USBAPSCC7202A](#) [17-200641](#) [UES-1001A160](#) [UES-1003A160](#) [USBFTVX7SA2N20A](#) [FTP-629Y602](#) [USBCAMCM100](#) [USB A/F*2 to 2.54 2*5P-SH L=400mm](#) [68784-0075](#) [MINI-SCREW-USB-DATACABLE](#) [19800-010500-200-RS](#) [103-1092-BL-F0050](#) [103-1020-BL-00100](#) [103-1092-BL-F0200](#) [103-1092-BL-F0100](#) [105-1092-BL-00300](#) [105-1092-BL-00200](#) [105-1031-BL-00200](#)