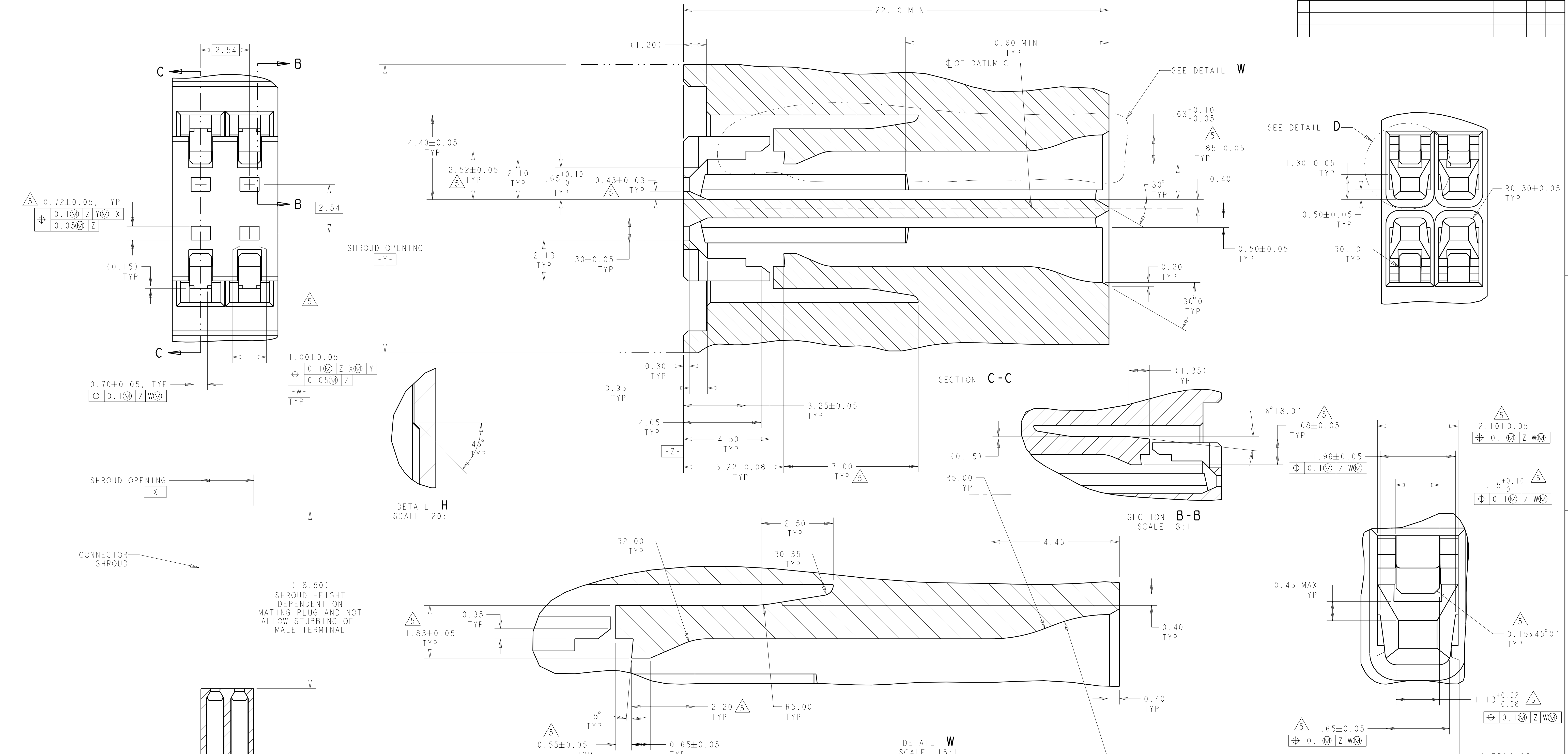


# MALE CAVITY DETAIL

SCALE 10:1

LOC	DIST	REV	DATE	BY	CHK	APP
1N	00	3	6MAR2007	FK	FK	FK



**NOTES:**

- BY USING ANY INFORMATION CONTAINED IN THIS DRAWING (TYCO ELECTRONICS INFORMATION), THE USER AGREES TO THE FOLLOWING:
  - A: USING TYCO ELECTRONICS INFORMATION SHOWN IN THE DRAWING FOR ANY PURPOSE OTHER THAN CAVITY DESIGN IS PROHIBITED.
  - B: ANY IMPLIED WARRANTIES OF MERCHANTABILITY, FITNESS FOR A PARTICULAR PURPOSE OR NON-INFRINGEMENT OF ANY THIRD PARTY INTELLECTUAL PROPERTY ARE EXPRESSLY DISCLAIMED AND EXCLUDED. THE ENTIRE RISK AS TO THE RESULT OBTAINED BY USING THE TYCO ELECTRONICS INFORMATION IS ASSUMED BY THE USER.
  - C: TYCO ELECTRONICS SHALL NOT BE LIABLE FOR ANY LOSS OR INJURY TO EARNINGS, PROFITS, GOODWILL, OR ANY PUNITIVE, EXEMPLARY, DIRECT CLAIM, SPECIAL, INDIRECT, INCIDENTAL, OR CONSEQUENTIAL DAMAGES.
  - D: THE USER OF THE TYCO ELECTRONICS INFORMATION AGREES TO DEFEND, INDEMNIFY, AND HOLD HARMLESS TYCO ELECTRONICS AND ITS AFFILIATED ENTITIES, RESPECTIVE OFFICERS, EMPLOYEES AND AGENTS FROM ANY AND ALL CLAIMS, COSTS, EXPENSES, DAMAGES, JUDGMENTS, OR OTHER LOSSES INCLUDING THE COST OF INVESTIGATION AND LITIGATION AND REASONABLE ATTORNEY'S FEES ARISING OUT OF THE USE OF THE TYCO ELECTRONICS INFORMATION.
  - E: USER IS RESPONSIBLE FOR ANY SPECIFIC APPLICATION OF THE TYCO ELECTRONICS INFORMATION
- MANUFACTURER RECOMMENDS USE OF TYCO ELECTRONICS SUPPLIED TERMINALS WITH THE CAVITY DESIGN SHOWN IN DRAWING.
- TYCO ELECTRONICS INFORMATION CANNOT BE USED BY ANY PERSON OR ENTITY FOR ANY PURPOSE OTHER THAN FORD APPLICATIONS.
- ANY USE OF THE TYCO ELECTRONICS INFORMATION SHOWN ON THE DRAWING REQUIRES THE PRIOR WRITTEN CONSENT OF TYCO ELECTRONICS.

**CAVITY DETAIL NOTES**

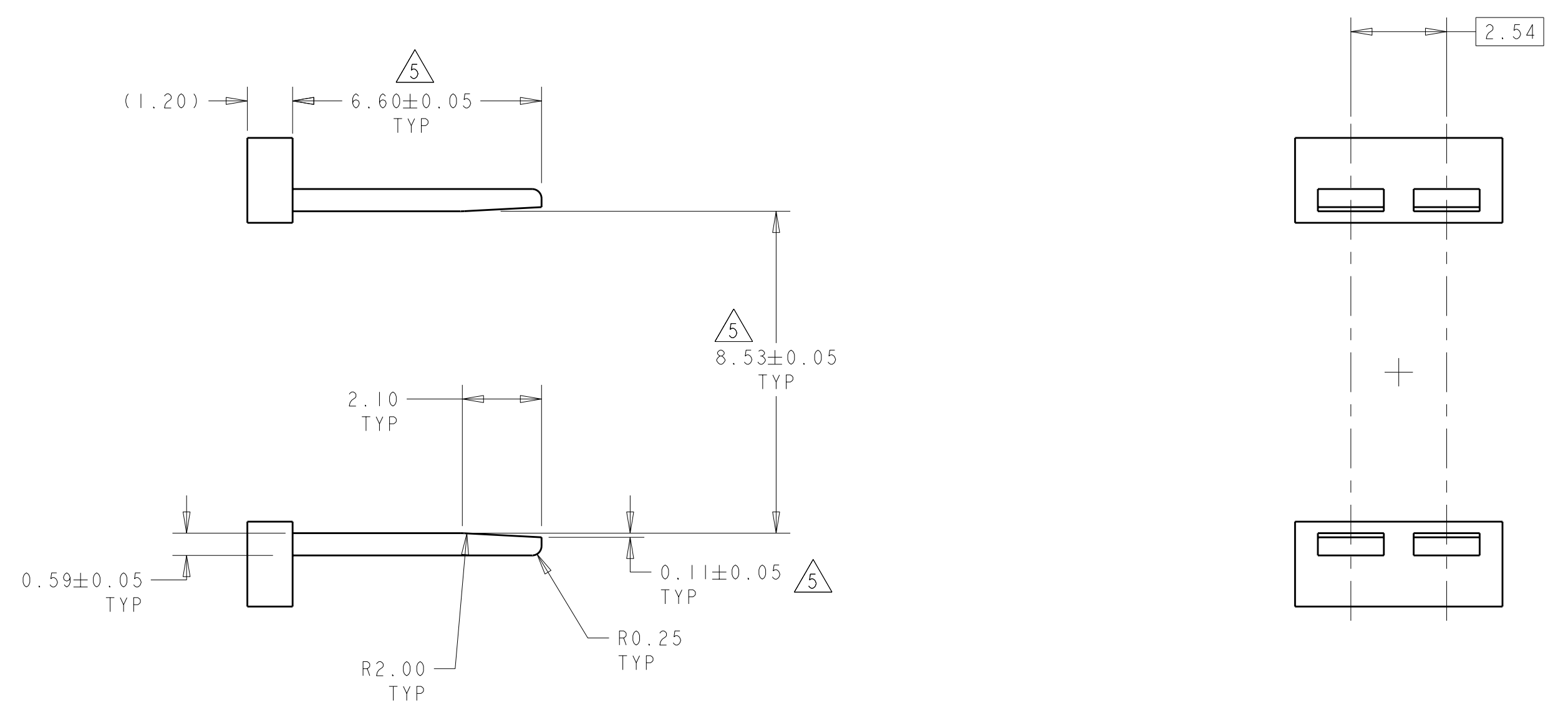
- CAVITY DESIGN SHOWN IS BASED ON THE UTILIZATION OF A SPECIFIC MATERIAL (NYLON 6/6 35% GLASS FILLED). USER OF THIS THIS CAVITY DESIGN IS RESPONSIBLE FOR ANY NECESSARY MODIFICATIONS NECESSARY FOR A SPECIFIC APPLICATION OR MATERIAL.
- UNLESS SPECIFIED ALL RADIUS TO BE 0.30 MIN
- GENERAL TOLERANCES,  $\pm 0.10$  ALL TWO PLACES DIMENSIONS,  $\pm 0^{\circ}30'$  ON ALL ANGULAR DIMENSIONS
- UNDIMENSIONED FEATURES ARE AT THE DISCRETION OF THE COMPONENT DESIGNER

$\Delta$  NOTED DIMENSIONS ARE CONSIDERED NECESSARY FOR PROPER PART FUNCTION (11X). OTHER DIMENSIONS ARE CONSIDERED AS REFERENCE AND MAY NEED TO VARY BASED ON SPECIFIC APPLICATIONS AND REQUIREMENTS

DIMENSIONS: mm		TOLERANCES UNLESS OTHERWISE SPECIFIED: 9 PLC $\pm$ 1 PLC $\pm$ 2 PLC $\pm$ 3 PLC $\pm$ 4 PLC $\pm$ ANGLES $\pm$		DWN MOLL 08FEB2007 CHK F. KINSEY 08FEB2007 APVD F. KINSEY 08FEB2007		<b>tyco</b> Tyco Electronics Harrisburg, PA 17105-3608	
MATERIAL:		FINISH:		WEIGHT:		NAME: CAVITY DETAIL, FOR 1488220 AND 1488208, 0.64, MALE TERMINAL	
CUSTOMER DRAWING		SCALE 4:1		SHEET 1 OF 2		REV 3	

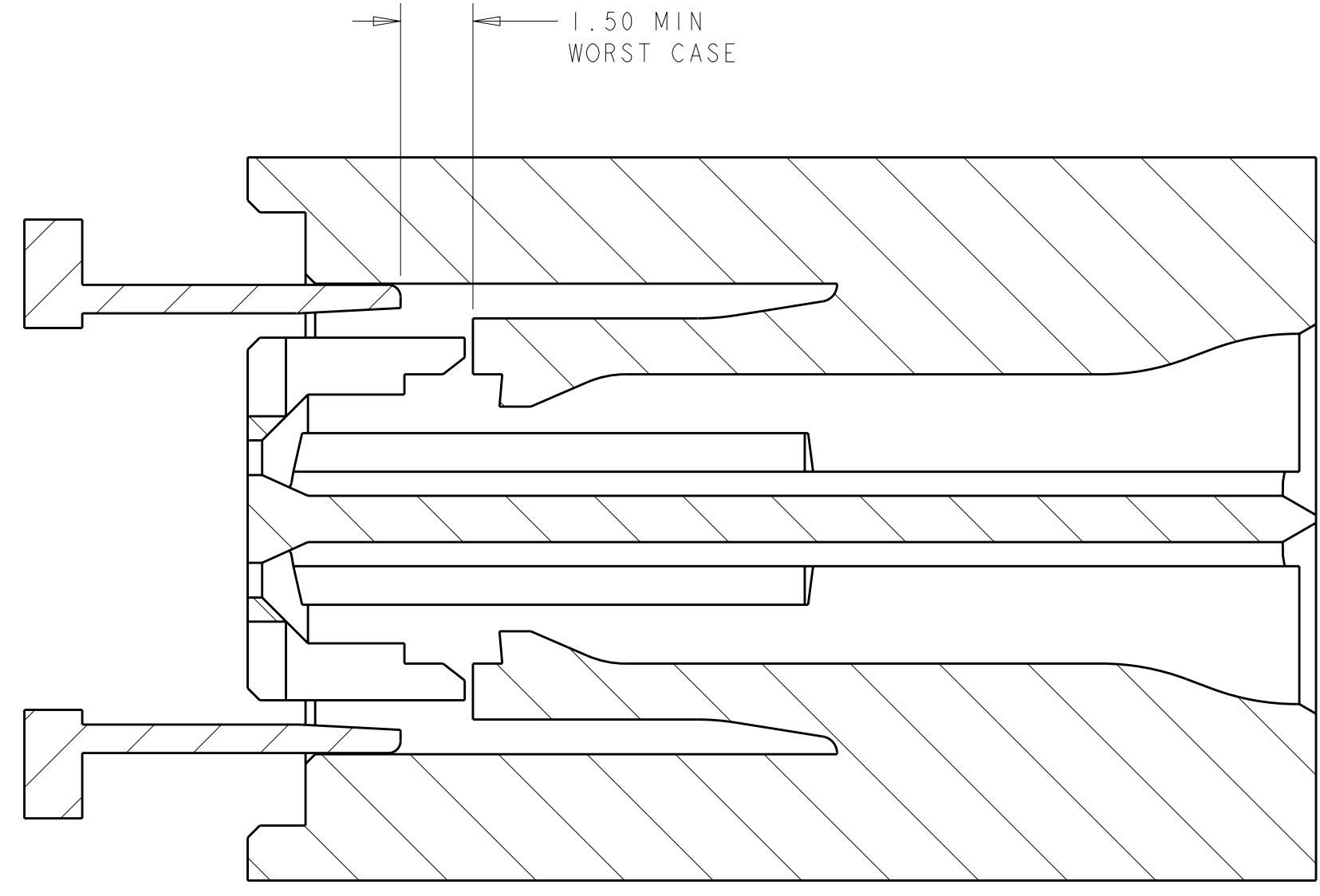
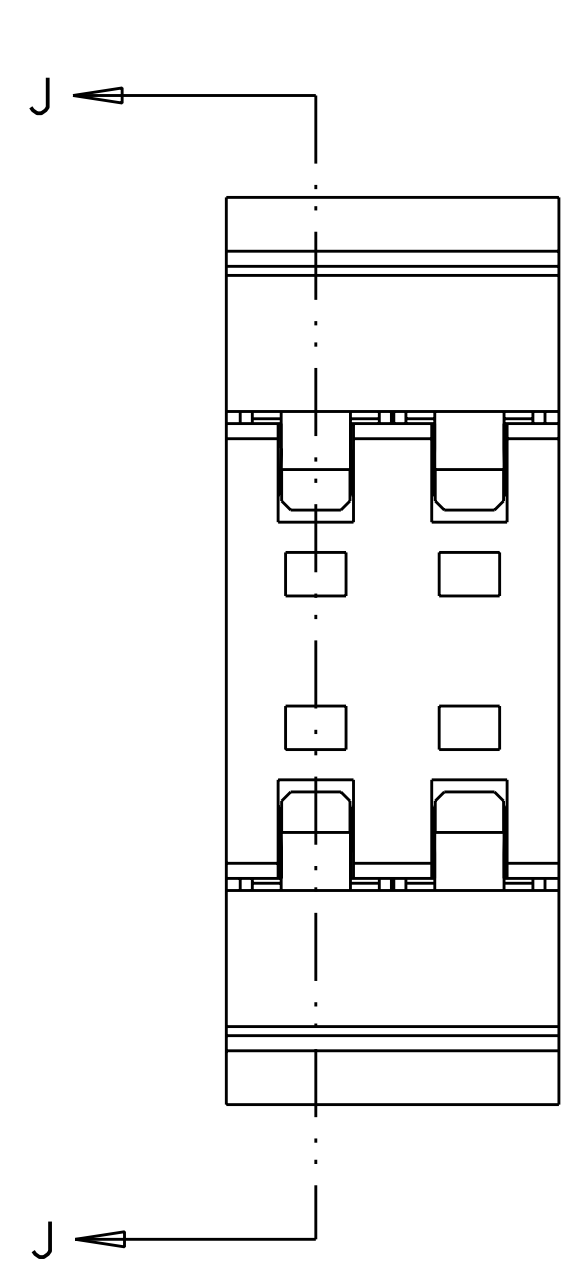
LOC	DIST	REV	DATE	BY	APPD
IN	00				
		DESCRIPTION	DATE	BY	APPD
		SEE SHEET 1			

TPA DETAIL  
 SCALE 8:1

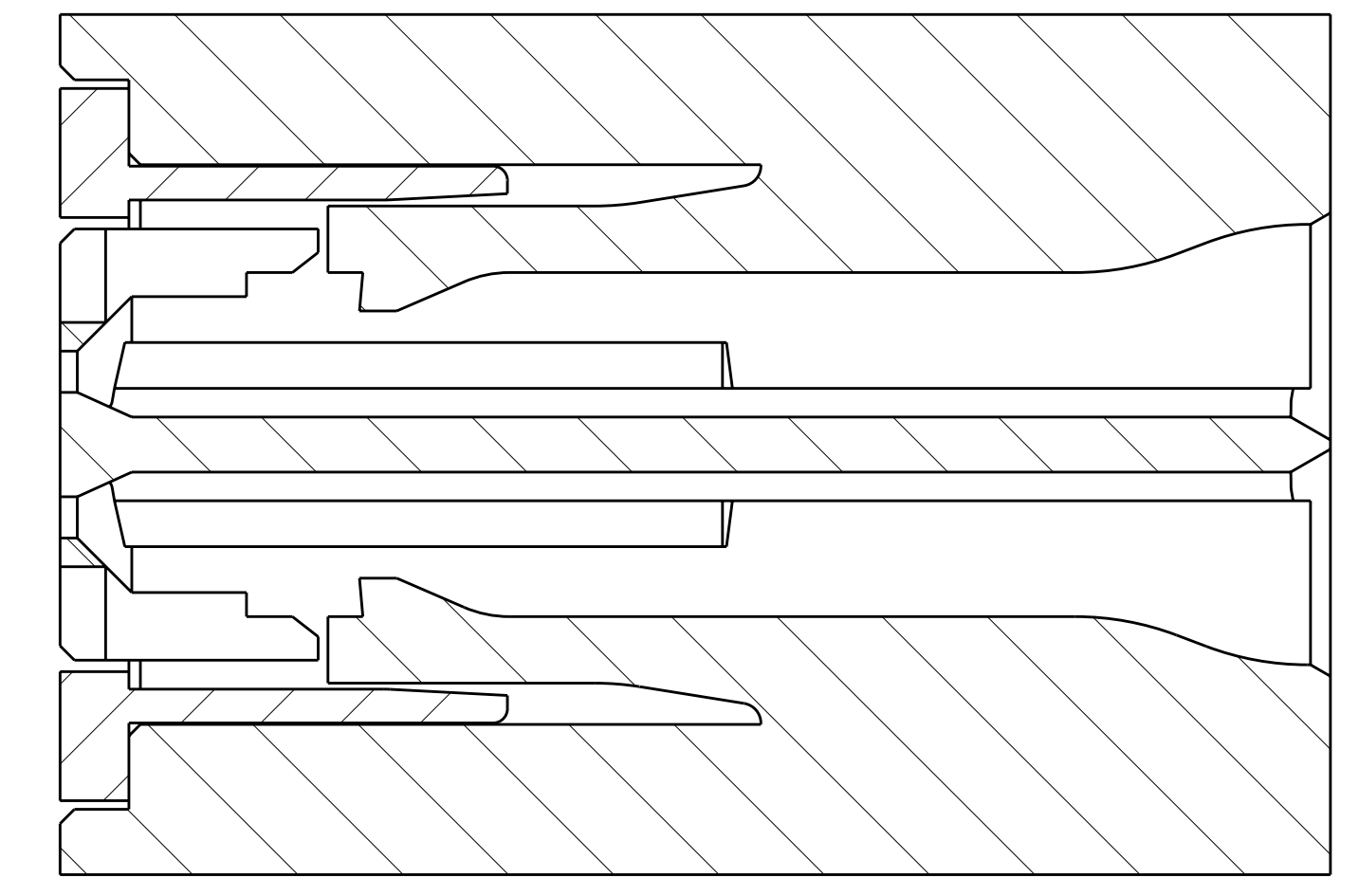


TPA DETAIL NOTES

1. TPA DESIGN SHOWN IS BASED ON THE UTILIZATION OF A SPECIFIC MATERIAL (NYLON 6/6, 35% GLASS FILLED). USER OF THIS THIS CAVITY DESIGN IS RESPONSIBLE FOR ANY NECESSARY MODIFICATIONS NECESSARY FOR A SPECIFIC APPLICATION OR MATERIAL.
  2. UNLESS SPECIFIED ALL RADIUS TO BE 0.20±0.10
  3. GENERAL TOLERANCES, ±0.10 ALL TWO PLACES DIMENSIONS, ±0°30' ON ALL ANGULAR DIMENSIONS
  4. UNDIMENSIONED FEATURES ARE AT THE DISCRETION OF THE COMPONENT DESIGNER
- △ NOTED DIMENSIONS ARE CONSIDERED NECESSARY FOR PROPER PART FUNCTION (3X). OTHER DIMENSIONS ARE CONSIDERED AS REFERENCE AND MAY NEED TO VARY BASED ON SPECIFIC APPLICATIONS AND REQUIREMENTS



SECTION J-J  
 TPA SHOWN IN  
 PRE-SET POSITION  
 SCALE 8:1



SECTION J-J  
 TPA SHOWN  
 FULLY SEATED  
 SCALE 8:1

ASSEMBLY DETAIL

<small>THIS DRAWING IS UNPUBLISHED. RELEASED FOR PUBLICATION BY TYCO ELECTRONICS CORPORATION. IT IS SUBJECT TO CHANGE WITHOUT NOTICE AND WITHOUT OBLIGATION. SHOULD BE CONTACTED FOR THE LATEST REVISION.</small>		DWN: MOLL 08FEB2007 CHK: F. KINSEY 08FEB2007 APVD: F. KINSEY 08FEB2007	<b>tyco</b> <b>Electronics</b> Tyco Electronics Harrisburg, PA 17105-3608
DIMENSIONS: mm 	TOLERANCES UNLESS OTHERWISE SPECIFIED: 9 PLC ± 8 PLC ± 5 PLC ± 4 PLC ± ANGLES ± FINISH	PRODUCT SPEC APPLICATION SPEC WEIGHT CUSTOMER DRAWING	NAME: CAVITY DETAIL, FOR 1488220 AND 1488208, 0.64, MALE TERMINAL SIZE: A1100779 CAGE CODE: C=1924379 SCALE: 4:1 SHEET 2 OF 2 REV 3

## X-ON Electronics

Largest Supplier of Electrical and Electronic Components

*Click to view similar products for [Automotive Connectors](#) category:*

*Click to view products by [TE Connectivity](#) manufacturer:*

Other Similar products are found below :

[003-018-000](#) [60403001](#) [60993906-B](#) [M902-2131](#) [M902-2161](#) [M902-2344](#) [72.330.1035.1](#) [73.353.4028.0](#) [F119300-B](#) [F166900](#) [F258300-B](#)  
[F358300-B](#) [F407400](#) [F444110](#) [F487000](#) [F509500B-B](#) [827153-1](#) [8N1515-32-24P](#) [9-1326729-8](#) [925474-1](#) [928905-1](#) [964562-4](#) [968782-1](#)  
[GT17SA-8DS-HU](#) [98891-1012](#) [98947-1016](#) [12004147](#) [12004475-L](#) [12010290](#) [12015454](#) [12020219-B](#) [12041318-B](#) [12052225-L](#) [12052466](#)  
[12064869](#) [12004327-B](#) [12015308](#) [12015384](#) [12015909](#) [1-21030-1](#) [12041254](#) [12041318](#) [12047946-B](#) [12047957](#) [12047957-L](#) [12059473](#)  
[12066261](#) [12110546](#) [12110546-B](#) [12131792](#)