

4

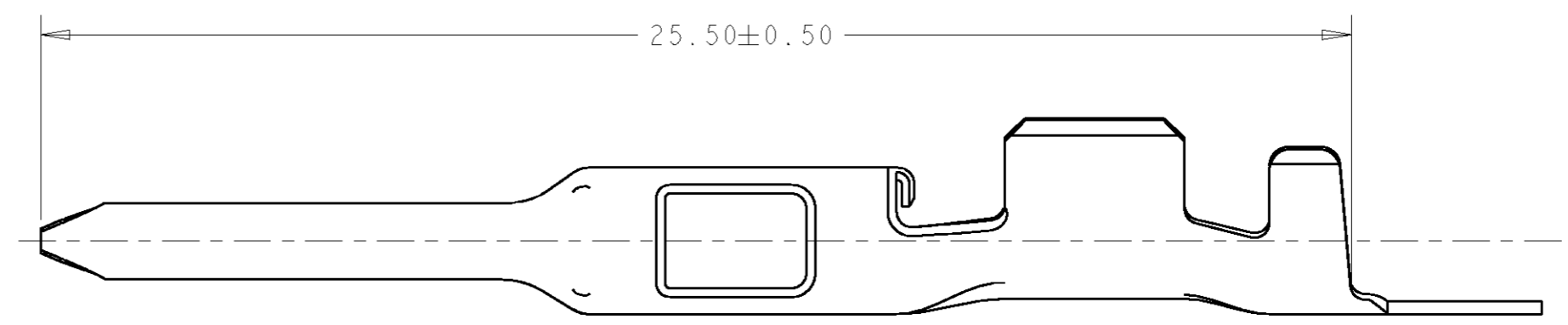
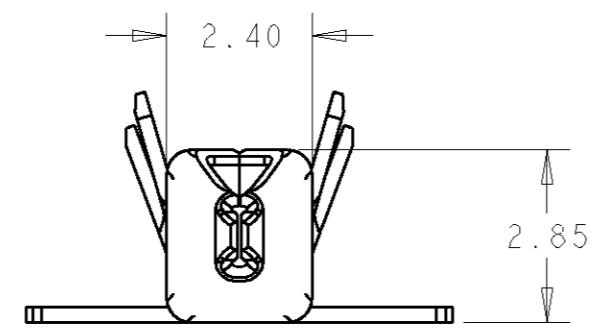
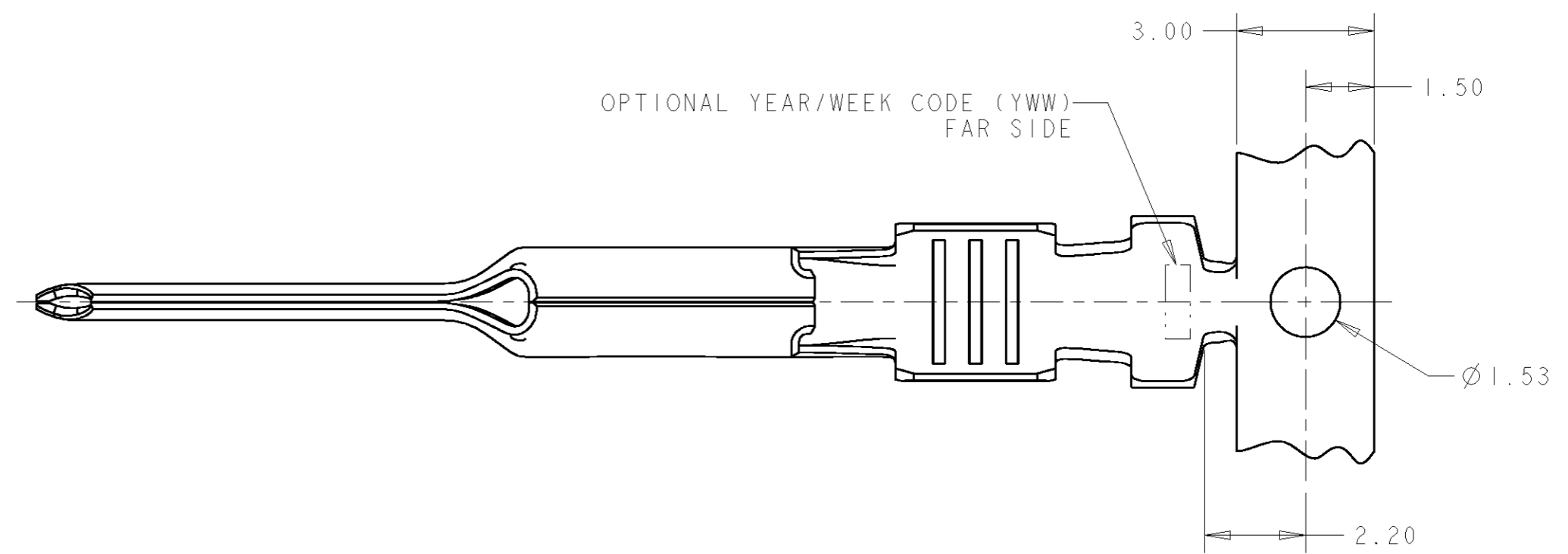
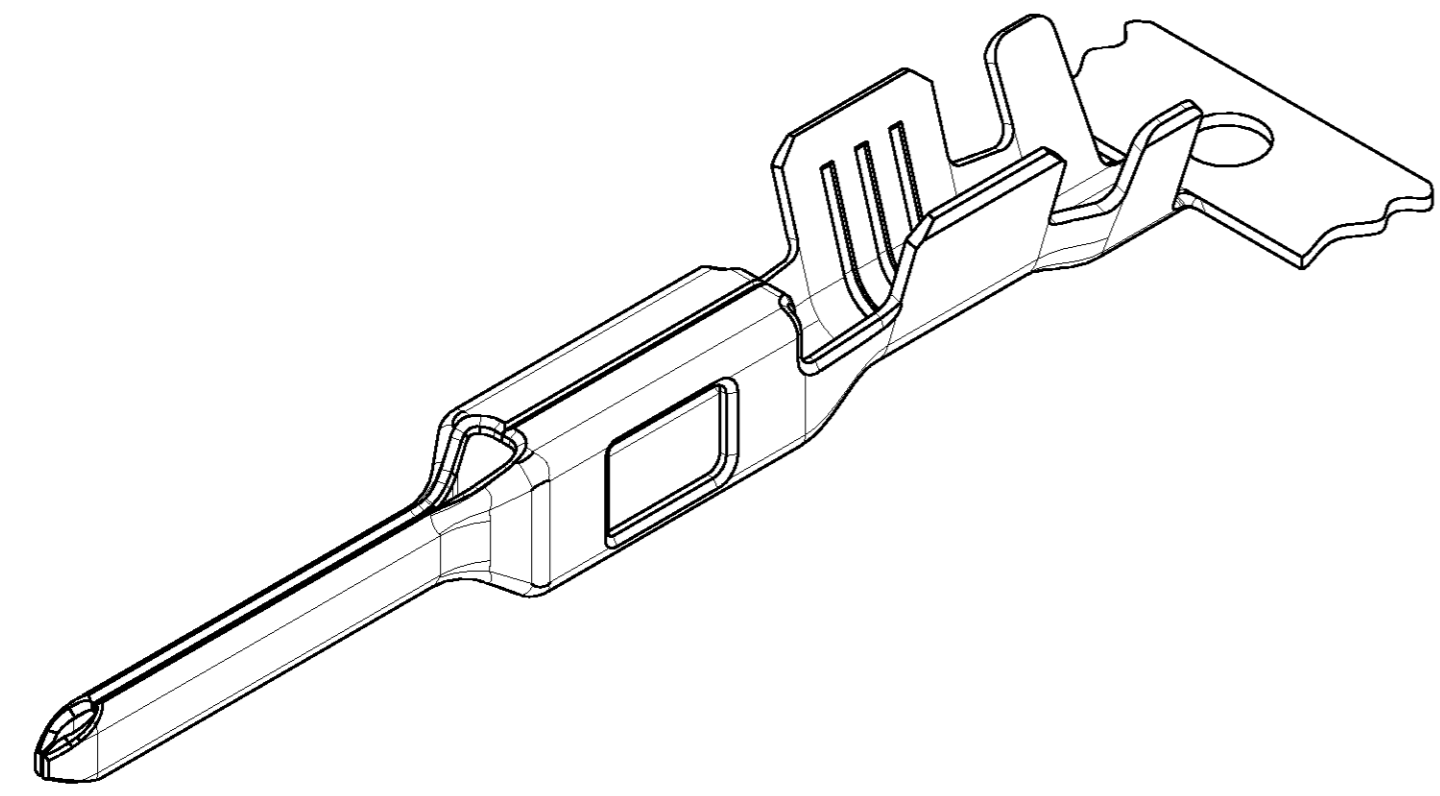
3

2

1

THIS DRAWING IS UNPUBLISHED. RELEASED FOR PUBLICATION 20  
 © COPYRIGHT 20 BY TYCO ELECTRONICS CORPORATION. ALL RIGHTS RESERVED.

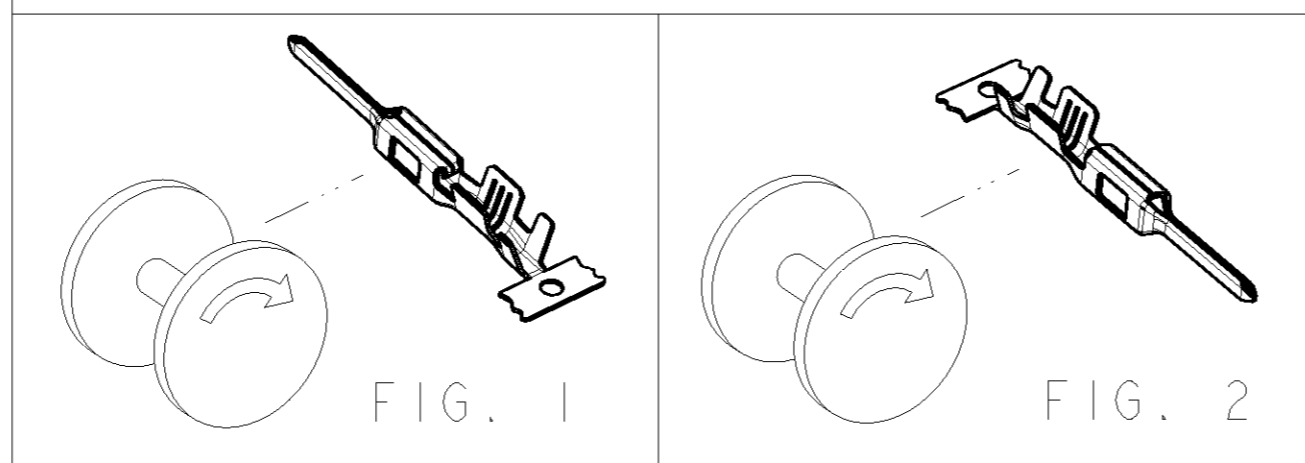
LOC	DIST	REVISIONS			
P	LTR	DESCRIPTION	DATE	DWN	APVD
0		RELEASED PER EC 0K01-0014-04	13FEB2004	MFF	VMK
A		REV PER EC 0K01-0057-04	16APR2004	MBH	VMK
B		REV PER ECR 05-001768	14OCT2005	RGV	DHC



- 1 FINISH: PLATED 0.0004 MIN THICK TIN
- 2. PART LUBRICATED WITH HIGH TEMPERATURE ANTI-FRETTING LUBRICANT. TYCO ELECTRONICS P/N 987325-2

STATUS	REELING	FINISH	WIRE SIZE	PART NUMBER
PROPOSED	FIG. 2	1	22	1488657-6
PROPOSED	FIG. 2		18-20	1488657-5
PROPOSED	FIG. 2		14-16	1488657-4
PROPOSED	FIG. 1		22	1488657-3
RELEASED	FIG. 1		18-20	1488657-2
RELEASED	FIG. 1		14-16	1488657-1

REELING DIRECTION OFF TOP OF REEL



<small>THIS DRAWING IS A CONTROLLED DOCUMENT FOR TYCO ELECTRONICS CORPORATION. IT IS SUBJECT TO CHANGE AND THE CONTROLLING ENGINEERING ORGANIZATION SHOULD BE CONTACTED FOR THE LATEST REVISION.</small>		DWN M. HITCHCOCK CHK V. M. KANE APVD J. GUNDELMANN	14OCT2003 14OCT2003 14OCT2003	<b>tyco</b> Electronics Tyco Electronics Harrisburg, PA 17105-3608
DIMENSIONS: mm	TOLERANCES UNLESS OTHERWISE SPECIFIED: 0 PLC ± 1 PLC ± 2 PLC ±0.20 3 PLC ± 4 PLC ± ANGLES ± FINISH	PRODUCT SPEC APPLICATION SPEC 114-13133	NAME NEXT GENERATION 1.50mm MALE TERMINAL	SIZE A2
MATERIAL 0.25 THICK COPPER ALLOY	WEIGHT -	CUSTOMER DRAWING	CAGE CODE 00779	DRAWING NO 1488657
SCALE 8:1			SHEET 1 OF 1	REV B

## X-ON Electronics

Largest Supplier of Electrical and Electronic Components

*Click to view similar products for [Automotive Connectors](#) category:*

*Click to view products by [TE Connectivity](#) manufacturer:*

Other Similar products are found below :

[003-018-000](#) [60403001](#) [60993906-B](#) [M902-2131](#) [M902-2161](#) [72.330.1035.1](#) [73.353.4028.0](#) [F119300-B](#) [F166900](#) [F258300-B](#) [F358300-B](#)  
[F407400](#) [F444110](#) [F487000](#) [F509500B-B](#) [827153-1](#) [8N1515-32-24P](#) [9-1326729-8](#) [925474-1](#) [928905-1](#) [964562-4](#) [968782-1](#) [GT17SA-8DS-](#)  
[HU](#) [98891-1012](#) [98947-1016](#) [12004147](#) [12004475-L](#) [12010290](#) [12010309-B](#) [12015454](#) [12020219-B](#) [12020308](#) [12041318-B](#) [12052225-L](#)  
[12052466](#) [12059125](#) [12064869](#) [12004327-B](#) [12010503-B](#) [12015308](#) [12015384](#) [12015909](#) [1-21030-1](#) [12041254](#) [12041318](#) [12047946-B](#)  
[12047957](#) [12047957-L](#) [12059473](#) [12066261](#)